

# HSF

**NOTES:**

1. Current Rating: 0.3A ;
2. Voltage Rating: 60V AC ;
3. Contact Resistance: 70mΩ Max;
4. Withstand Voltage: 150V AC;
5. Insulation Resistance: 1000MΩ Min;
6. Operating Temperature: -55°C to +105°C;
7. Insulator Material: LCP,G.F,UL94V-0;
8. Contact Material: Copper Alloy;
9. Contact plating:  
Ni plating Surface: Au plating (except the terminal tips)

**Ordering Information**

3631 - P XXX- 012 M G0 R 51

P=Plug

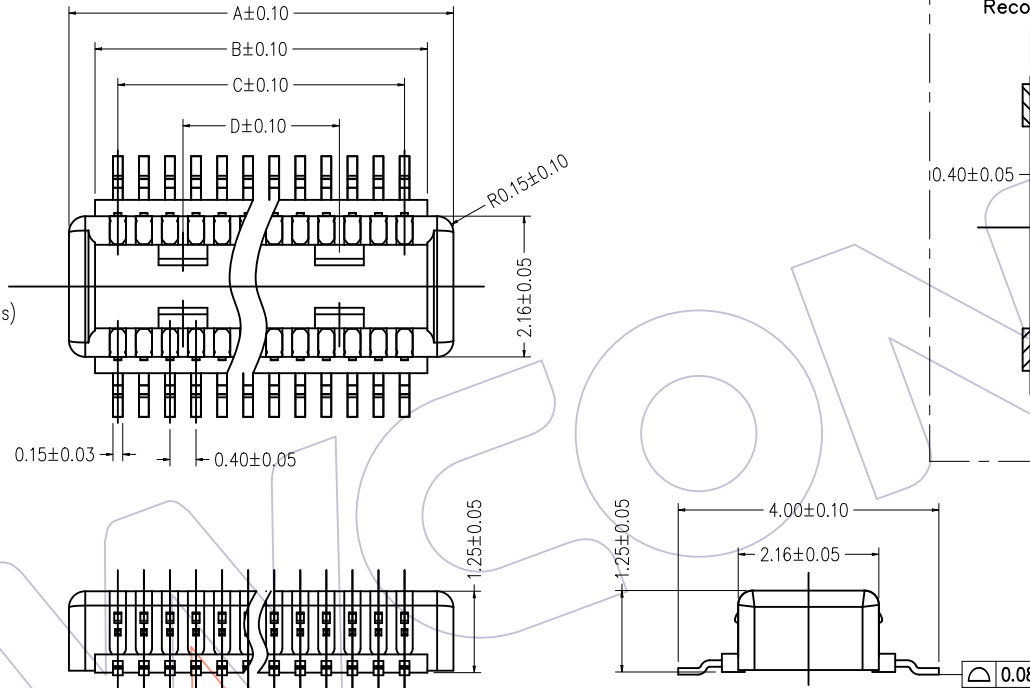
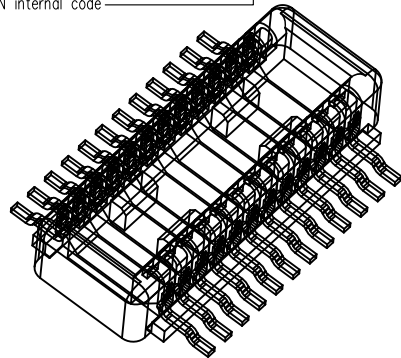
No. of Pins:  
20, 24.....60, 70

Plug High:  
012=1.20mm

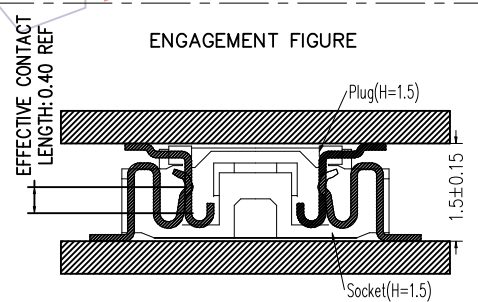
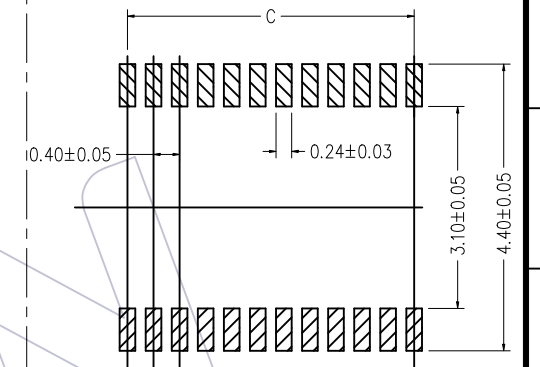
Contact plating:  
G0=1μ" Gold

Packing: R=Tape & Reel

WCON internal code



**Recommended P.C.B Layout(Top Side)**

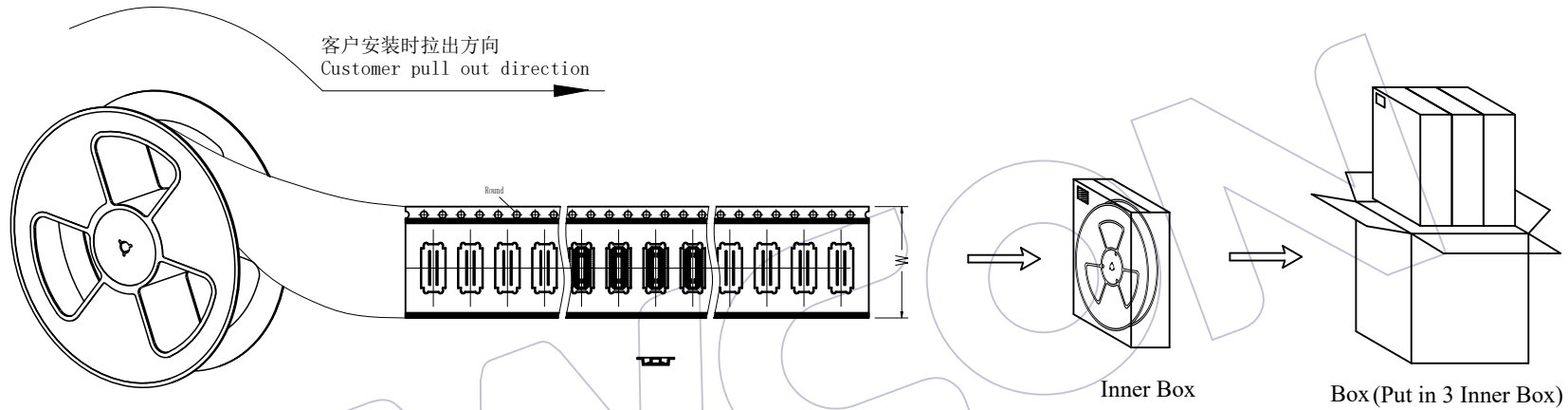


PART NO.	NO. of contacts	A	B	C	D
3631-P020-012MGOR51	20	5.10	4.30	3.60	1.60
3631-P024-012MGOR51	24	5.90	5.10	4.40	2.40
3631-P030-012MGOR51	30	7.10	6.30	5.60	3.60
3631-P040-012MGOR51	40	9.10	8.30	7.60	5.60
3631-P050-012MGOR51	50	11.10	10.30	9.60	7.60
3631-P060-012MGOR51	60	13.10	12.30	11.60	9.60
3631-P070-012MGOR51	70	15.10	14.30	13.60	11.60

A0		2025.08.22	NEW	BAO	OPERATION	DRAW	DATE	SCALE	FIT	3631-PXXX-012MGOR51		 Http: www.wcon.com
REV		DATE	MODIFICATION DESCRIPTION	CHANGE	X.X ±0.40	BAO	2025.08.22	UNIT	mm	TITLE:		
					X.XX ±0.25	CHECK	DATE	SIZE	A4	0.4MM BTB 1.2H Male Conn		WCON-Kunshan
					X.XXX ±0.15	APPROVE	DATE	SHEET	1/1	Customer Drawing		Tel: +86 769 85358920
					Angle ± 3'			PROJ.	Customer NO.			Tel: +86 512 57468408
					DIM TOL							Fax: +86 769 85358915
												Fax: +86 512 57468468
												E-mail: sales@wcon.com
												E-mail: sales@wcon.com


# HSF

## Packing:



## Packing Quantity(Reel):

PIN	W/Reel	Q'ty/Reel	Q'ty/Inner Box	Q'ty/Box
20/24/30P	16.0	4000	16000	48000
40/50/60/70P	24.0	4000	12000	24000

REV	DATE	MODIFICATION DESCRIPTION	CHANGE	OPERATION	DRAW	DATE	SCALE	FIT	PART NO.	 <a href="http://www.wcon.com">Http: www.wcon.com</a> WCON-Dongguan      WCON-Kunshan Tel: +86 769 85358920      Tel: +86 512 57468408 Fax: +86 769 85358915      Fax: +86 512 57468468 E-mail: sales@wcon.com      E-mail: salesks@wcon.com
AO	2025.08.22	NEW	BAO	X.X ±0.40	DATE	2025.08.22	UNIT	mm	3631-PXXX-012MG0R51	
				X.XX ±0.25	CHECK	DATE	SIZE	A4	TITLE:	
				X.XXX ±0.15	APPROVE	DATE	SHEET	2/2	0.4MM BTB 1.2H Male Conn Customer Drawing	
				Angle ± 3'			PROJ.	Customer NO.		
				DIM TOL						