

# HSF

**NOTES:**

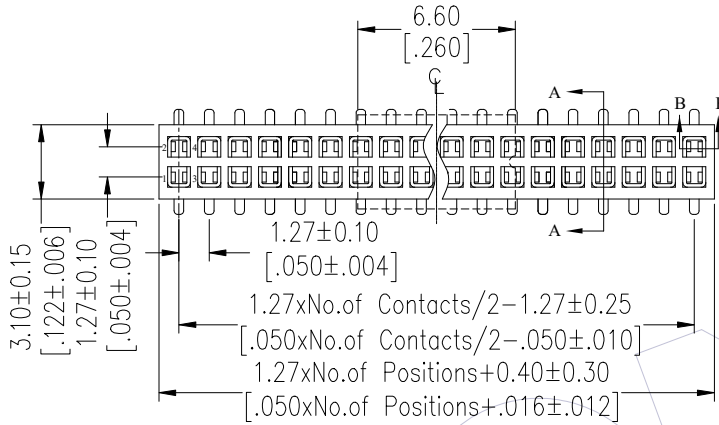
Rated Current: 1.5AMP.(20°C,2\*2P-2\*15P)  
 1.0AMP.(20°C,2\*16P-2\*50P)  
 Contact Resistance: 20mΩ Max.  
 Withstand Voltage: 500V AC/DC  
 Insulation Resistance: 1000MΩ Min.  
 Operation Temperature: -40°C to +125°C(Gold Plating)

Contact Material: Copper Alloy  
 Contact Plating: Au Over 30u" Min Ni  
 Insulator Material: PA9T+G.F UL94V-0 BK

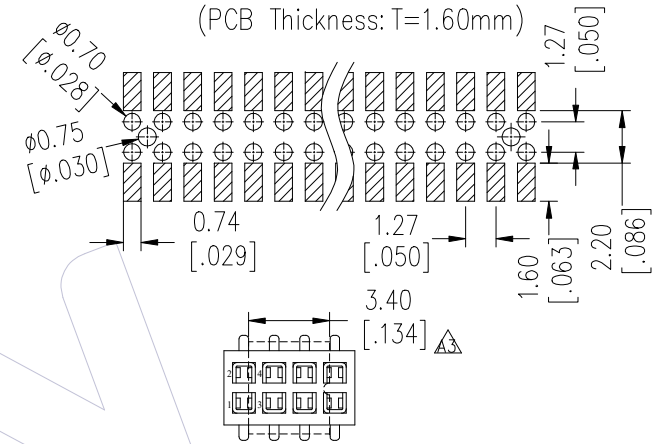
## Ordering Information

2320T-2 XX M XX C U N X X

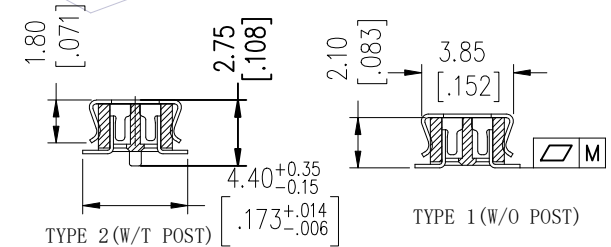
Plastic Row  
 No. of Pins  
 Per Row: 02~50  
 Welding Type  
 M=SMT  
 Contact Plating  
 G0=Gold Flash  
 G3=10u"Au, BG3=8u"PdNi+2u"Au  
 G4=15u"Au, BG4=13u"PdNi+2u"Au  
 G5=30u"Au, BG5=28u"PdNi+2u"Au  
 Packing:  
 T=Tube  
 R=Tape&Reel+CAP  
 P=Tube+CAP  
 Logo  
 N=W/O Logo  
 Contact Type  
 U=U Type  
 Insulator Material  
 C=PA9T



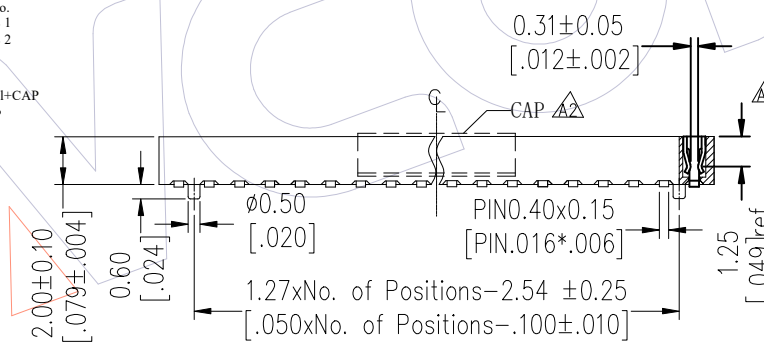
Recommended P.C.B Layout(Top Side)  
 (PCB BOARD TOLERANCE±0.05)  
 (PCB Thickness: T=1.60mm)



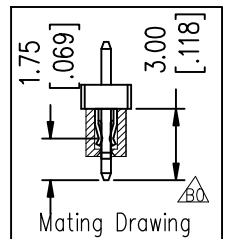
Special CAP for 2\*2P,2\*3P,2\*4P



SECTION A-A



SECTION B-B



Mating Drawing

| Item      | Pitch | Mating         | DIM.B |
|-----------|-------|----------------|-------|
| Standard  | 1.27  | 1310/1315/1320 | 3.00  |
| Alternate |       |                |       |

| Pin(Per Row) | 2-15P | 16-30P | 31-40P |
|--------------|-------|--------|--------|
| M            | 0.10  | 0.15   | 0.18   |

| TYPE   | PART NO.          |
|--------|-------------------|
| TYPE 1 | 2320T-2XXMXXCUNX1 |
| TYPE 2 | 2320T-2XXMXXCUNX2 |

| REV | DATE       | MODIFICATION DESCRIPTION                   | CHANGE | OPERATION   | DRAW        | DATE       | SCALE | FIT          | PART NO.                         |
|-----|------------|--|--------|-------------|-------------|------------|-------|--------------|----------------------------------|
| B0  | 2025/12/11 | Standardization Drawing                    | BAO    | OPERATION   | DRAW        | 2025/12/11 | SCALE | FIT          | PART NO.                         |
| A5  | 2023/02/03 | Modify Flatness                            | XSR    | x.x ±0.40   | BAO         | 2025/12/11 | UNIT  | mm           | SEE TABLE                        |
| A4  | 2020/06/24 | Add DIM.&Table;Modify 02~50PIN to 02~40PIN | XSR    | x.xx ±0.25  | CHECK       | 2025/12/11 | SIZE  | A4           | TITLE:                           |
| A0  | 2012/07/05 | NEW  | -----  | x.xxx ±0.15 | TANG        | 2025/12/11 | SHEET | 1/3          | 1.27mm Female Header Dual Bottom |
|     |            |  |        | Angle ± 3°  | APPROVE     | 2025/12/11 | PROJ. | Customer NO. | Enter SMT H=2.0                  |
|     |            |  |        | DIM TOL     | Steven Zhao |            |       |              |                                  |

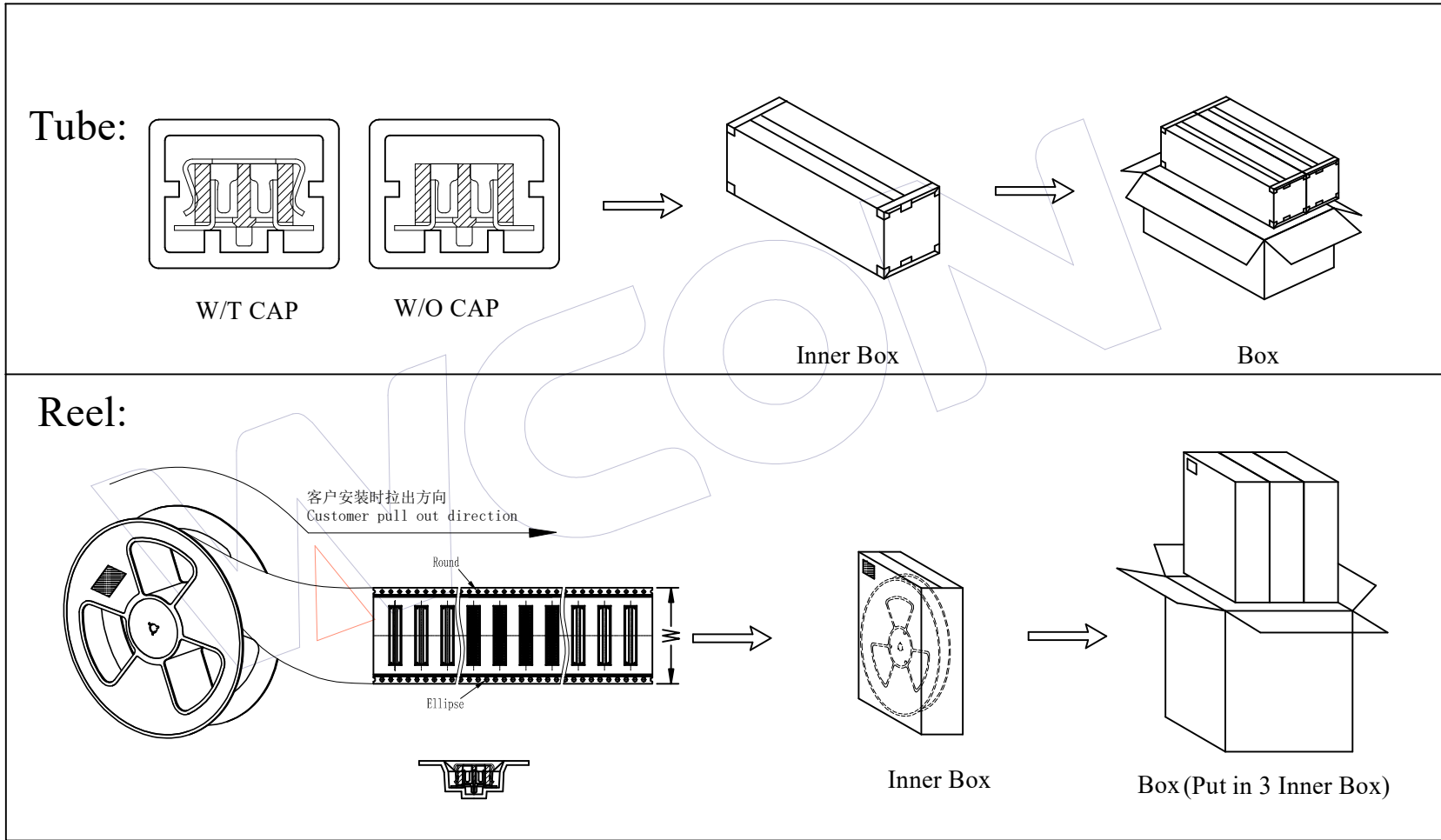
**WCON**  
 Http: www.wcon.com

WCON-Dongguan  
 Tel: +86 769 85358920  
 Fax: +86 769 85358915  
 E-mail: sales@wcon.com

WCON-Kunshan  
 Tel: +86 512 57468408  
 Fax: +86 512 57468468  
 E-mail: salesks@wcon.com

**HSF**

**△ Packing:**



|     |            |  |        |            |                     |                 |       |     |   |
|-----|------------|--|--------|------------|---------------------|-----------------|-------|-----|---|
| B0  | 2025/12/11 | Standardization Drawing                    | BAO    | OPERATION  | DRAW BAO            | DATE 2025/12/11 | SCALE | FIT | PART NO. SEE TABLE                                      |
| A5  | 2023/02/03 | Modify Flatness                            | XSR    | x.x ±0.40  | CHECK TANG          | DATE 2025/12/11 | UNIT  | mm  | TITLE: 1.27mm Female Header Dual Bottom Enter SMT H=2.0 |
| A4  | 2020/06/24 | Add DIM.&Table;Modify 02~50PIN to 02~40PIN | XSR    | x.xx ±0.25 | APPROVE Steven Zhao | DATE 2025/12/11 | SIZE  | A4  | Customer NO.  |
| A0  | 2012/07/05 | NEW  | -----  | Angle ± 3' |                     | DATE 2025/12/11 | SHEET | 2/3 |   |
| REV | DATE       | MODIFICATION DESCRIPTION                   | CHANGE | DIM TOL    |                     |                 | PROJ. |     |   |

**WCON**  
[Http: www.wcon.com](http://www.wcon.com)

WCON-Dongguan      WCON-Kunshan  
 Tel: +86 769 85358920      Tel: +86 512 57468408  
 Fax: +86 769 85358915      Fax: +86 512 57468468  
 E-mail: sales@wcon.com      E-mail: salesks@wcon.com

**HSF**

## Packaging Quantity Refers To The Following Table

| PINS /ROW | Q' ty/Tube | Q' ty/Inner Box | Q' ty/Box |
|-----------|------------|-----------------|-----------|
| 2         | 800/Tray   | /               | 96,000    |
| 3         | 137        | 68,500          | 137,000   |
| 4         | 105        | 52,500          | 105,000   |
| 5         | 85         | 42,500          | 85,000    |
| 6         | 72         | 36,000          | 72,000    |
| 7         | 62         | 31,000          | 62,000    |
| 8         | 54         | 27,000          | 54,000    |
| 9         | 49         | 24,500          | 49,000    |
| 10        | 43         | 21,500          | 43,000    |
| 11        | 40         | 20,000          | 40,000    |
| 12        | 36         | 18,000          | 36,000    |
| 13        | 34         | 17,000          | 34,000    |
| 14        | 31         | 15,500          | 31,000    |
| 15        | 29         | 14,500          | 29,000    |
| 16        | 27         | 13,500          | 27,000    |
| 17        | 26         | 13,000          | 26,000    |
| 18        | 24         | 12,000          | 24,000    |
| 19        | 23         | 11,500          | 23,000    |
| 20        | 22         | 11,000          | 22,000    |
| 21        | 21         | 10,500          | 21,000    |
| 22        | 20         | 10,000          | 20,000    |
| 23        | 19         | 9,500           | 19,000    |
| 24        | 18         | 9,000           | 18,000    |
| 25        | 18         | 9,000           | 18,000    |
| 26        | 17         | 8,500           | 17,000    |

| PINS /ROW | Q' ty/Tube | Q' ty/Inner Box | Q' ty/Box |
|-----------|------------|-----------------|-----------|
| 27        | 16         | 8,000           | 16,000    |
| 28        | 16         | 8,000           | 16,000    |
| 29        | 15         | 7,500           | 15,000    |
| 30        | 15         | 7,500           | 15,000    |
| 31        | 14         | 7,000           | 14,000    |
| 32        | 14         | 7,000           | 14,000    |
| 33        | 13         | 6,500           | 13,000    |
| 34        | 13         | 6,500           | 13,000    |
| 35        | 13         | 6,500           | 13,000    |
| 36        | 12         | 6,000           | 12,000    |
| 37        | 12         | 6,000           | 12,000    |
| 38        | 12         | 6,000           | 12,000    |
| 39        | 11         | 5,500           | 11,000    |
| 40        | 11         | 5,500           | 11,000    |
| 41        | 10         | 5,000           | 10,000    |
| 42        | 10         | 5,000           | 10,000    |
| 43        | 10         | 5,000           | 10,000    |
| 44        | 10         | 5,000           | 10,000    |
| 45        | 10         | 5,000           | 10,000    |
| 46        | 9          | 4,500           | 9,000     |
| 47        | 9          | 4,500           | 9,000     |
| 48        | 9          | 4,500           | 9,000     |
| 49        | 9          | 4,500           | 9,000     |
| 50        | 9          | 4,500           | 9,000     |

| PINS /ROW | W  | Q' ty/Reel | Q' ty/Inner Box | Q' ty/Box |
|-----------|----|------------|-----------------|-----------|
| 2         | 12 | 1,700      | 10,200          | 30,600    |
| 3         | 16 | 1,700      | 6,800           | 20,400    |
| 4         | 16 | 1,700      | 6,800           | 20,400    |
| 5         | 16 | 1,700      | 6,800           | 20,400    |
| 6         | 24 | 1,700      | 5,100           | 15,300    |
| 7         | 24 | 1,700      | 5,100           | 15,300    |
| 8         | 24 | 1,700      | 5,100           | 15,300    |
| 9         | 24 | 1,700      | 5,100           | 15,300    |
| 10        | 24 | 1,700      | 5,100           | 15,300    |
| 11        | 24 | 1,700      | 5,100           | 15,300    |
| 12        | 24 | 1,700      | 5,100           | 15,300    |
| 13        | 32 | 1,700      | 3,400           | 10,200    |
| 14        | 32 | 1,700      | 3,400           | 10,200    |
| 15        | 32 | 1,700      | 3,400           | 10,200    |
| 16        | 32 | 1,700      | 3,400           | 10,200    |
| 17        | 32 | 1,700      | 3,400           | 10,200    |
| 18        | 44 | 1,700      | 3,400           | 10,200    |
| 19        | 44 | 1,700      | 3,400           | 10,200    |
| 20        | 44 | 1,700      | 3,400           | 10,200    |
| 21        | 44 | 1,700      | 3,400           | 10,200    |
| 22        | 44 | 1,700      | 3,400           | 10,200    |
| 23        | 44 | 1,700      | 3,400           | 10,200    |
| 24        | 44 | 1,700      | 3,400           | 10,200    |
| 25        | 44 | 1,700      | 3,400           | 10,200    |
| 26        | 56 | 1,700      | 1,700           | 5,100     |

| PINS /ROW | W  | Q' ty/Reel | Q' ty/Inner Box | Q' ty/Box |
|-----------|----|------------|-----------------|-----------|
| 27        | 56 | 1,700      | 1,700           | 5,100     |
| 28        | 56 | 1,700      | 1,700           | 5,100     |
| 29        | 56 | 1,700      | 1,700           | 5,100     |
| 30        | 56 | 1,700      | 1,700           | 5,100     |
| 31        | 56 | 1,700      | 1,700           | 5,100     |
| 32        | 56 | 1,700      | 1,700           | 5,100     |
| 33        | 56 | 1,700      | 1,700           | 5,100     |
| 34        | 56 | 1,700      | 1,700           | 5,100     |
| 35        | 56 | 1,700      | 1,700           | 5,100     |
| 36        | 72 | 1,700      | 1,700           | 5,100     |
| 37        | 72 | 1,700      | 1,700           | 5,100     |
| 38        | 72 | 1,700      | 1,700           | 5,100     |
| 39        | 72 | 1,700      | 1,700           | 5,100     |
| 40        | 72 | 1,700      | 1,700           | 5,100     |
| 41        | 72 | 1,700      | 1,700           | 5,100     |
| 42        | 72 | 1,700      | 1,700           | 5,100     |
| 43        | 72 | 1,700      | 1,700           | 5,100     |
| 44        | 72 | 1,700      | 1,700           | 5,100     |
| 45        | 72 | 1,700      | 1,700           | 5,100     |
| 46        | 72 | 1,700      | 1,700           | 5,100     |
| 47        | 72 | 1,700      | 1,700           | 5,100     |
| 48        | 88 | 1,700      | 1,700           | 5,100     |
| 49        | 88 | 1,700      | 1,700           | 5,100     |
| 50        | 88 | 1,700      | 1,700           | 5,100     |

|     |            |  |        |             |             |            |       |              |                                  |
|-----|------------|--|--------|-------------|-------------|------------|-------|--------------|----------------------------------|
| B0  | 2025/12/11 | Standardization Drawing                    | BAO    | OPERATION   | DRAW        | DATE       | SCALE | FIT          | PART NO.                         |
| A5  | 2023/02/03 | Modify Flatness                            | XSR    | x.x ±0.40   | BAO         | 2025/12/11 | UNIT  | mm           | SEE TABLE                        |
| A4  | 2020/06/24 | Add DIM.&Table;Modify 02~50PIN to 02~40PIN | XSR    | x.xx ±0.25  | CHECK       | DATE       | SIZE  | A4           | TITLE:                           |
| A0  | 2012/07/05 | NEW  | -----  | x.xxx ±0.15 | TANG        | 2025/12/11 | SHEET | 3/3          | 1.27mm Female Header Dual Bottom |
| REV | DATE       | MODIFICATION DESCRIPTION                   | CHANGE | Angle ± 3'  | APPROVE     | DATE       | PROJ. | Customer NO. | Enter SMT H=2.0                  |
|     |            |  |        | DIM TOL     | Steven Zhao | 2025/12/11 |       |              |                                  |

**WCON**

Http: www.wcon.com

|   |  |
|---|--|
| WCON-Dongguan<br>Tel: +86 769 85358920<br>Fax: +86 769 85358915<br>E-mail: sales@wcon.com | WCON-Kunshan<br>Tel: +86 512 57468408<br>Fax: +86 512 57468468<br>E-mail: salesks@wcon.com |
|---|--|