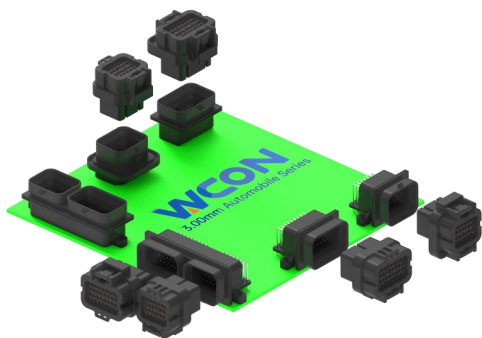


73040 Series

3.00mm pitch/Wire-to-board Waterproof automotive connectors



Overview

The 73040 series is a 3.00mm pitch, composite terminal structure, secondary locking design, stable contact, harsh environment-rated, automotive-standard wire-to-board connector.

Features and Benefits

- Anti-misplug structure
- Composite terminal design ensures stable contact
- Secondary locking mechanism guarantees terminal retention force
- Sealed design provides waterproofing up to IP67

Product Applications

- Automotive: Body and Chassis System, Convenience System
- Industrial: Heavy-duty Transport Equipment, Special Operations Machinery, Mining Equipment, Agricultural Vehicles

Standard 标准

- QC/T 1067, USCAR-2

Material 材料

Part/零件	Material/材料	Finish/电镀	UL Flame retardant/阻燃等级
Housing/主体	PBT	Black/黑色	UL94V-0
Header/板端	PA9T	Black/黑色	UL94V-0
Terminal/端子	Copper alloy 铜合金	Gold-plated/镀金 Tin-plated/镀锡	-

73040系列

3.00mm间距/线到板防水汽车连接器



Two-contact
两点接触

概述

73040系列产品是一款3.00mm 间距、复合式端子结构、带二次锁扣设计、稳定的接触性、满足严苛的应用环境，符合汽车标准的线到板连接器。

产品特点

- 防误插结构
- 复合式端子设计，确保接触稳定
- 二次锁扣设计，确保端子保持力
- 密封设计，防水可达IP67

应用领域

- 汽车：车身和底盘系统、便利系统
- 工业：重载运输设备、特种作业机械、采矿设备、农业车

UL certification UL认证

- E248993

Production Specifications 产品规格

Current rating 额定电流	7 A	Operating temperature Range:-40° C~+125° C (including temperature rise) Operating Humidity Range:20-80% 工作温度范围: -40° C~+125° C(含温升) 工作湿度范围: 20-80%	Storage temperature: Humidity: 储存温度: 25±5° C 储存湿度: ≤60%
Voltage rating 额定电压	250V/AC		

Item 项目	Condition 条件	Specification 规格
Insulation Resistance 绝缘电阻	Measured at 500V DC for 1 minute 测试电压: 500V DC/1分钟	No less than 100MΩ 不少于100MΩ
Withstanding voltage 耐电压	Measured at 1000V AC for 1 minute 测试电压: 1000V AC/1分钟	No breakdown, no discharge, leakage current <0.5mA 无击穿、无放电、漏电流<0.5mA
Contact Resistance 接触电阻	Measured at 100mA and no higher than 20mV 用20 mV DC进行测量	Contact resistance: Initial value/ 5 mΩ max After environmental tests/ 15 mΩ max. 接触电阻: 初始值 5 mΩ 以下 测试后 15 mΩ 以下
Vibration Resistance 抗振动	Frequency: 60~ 1200 Hz Direction : X/Y/Z Duration : 8H/each 频率:60~1200Hz 方向:X/Y/Z 时间:8H各方向	No electrical discontinuity of 1μs or greater 试验过程中未发生1μs瞬断现象, 且外观无损伤, 电气性能正常
Temperature life 高温老化	Temperature温度:125°C Duration时间:1008H	Contact resistance: Initial value/ 5 mΩ max After environmental tests/ 15 mΩ max. 接触电阻: 初始值 5 mΩ 以下 测试后 15 mΩ 以下
Salt Spray 盐雾	Temperature:35± 2°C Solution concentration : 5%NaCl PHValue : 6.5 ~ 7.2 Duration : 48hours 温度: 35±2° C 溶液浓度: 5%NaCl PH值: 6.5~7.2 时间: 48小时	Contact resistance: Initial value/ 5 mΩ max After environmental tests/ 15 mΩ max. No evidence of damage. 接触电阻: 初始值 5 mΩ 以下 测试后 15 mΩ 以下
Durability(Mating/un- mating) 插拔寿命	50 cycles 循环50次	Contact resistance: Initial value/ 5 mΩ max After environmental tests/ 15 mΩ max. 接触电阻: 初始值 5 mΩ 以下 测试后 15 mΩ 以下

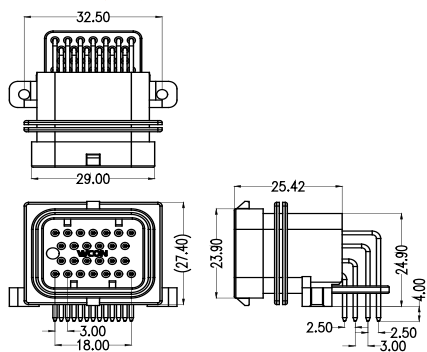
73040 Series

Order Information 订购信息

Circuit 芯数	Part number 型号			Plating 电镀	Package 包装 Qty/Tray 只/盒装	Remake 可量产状态
	Key-1	Key-2	Key-3			
26	73040-4MR026CBS4DA1	73040-4MR026CBS4DA2	73040-4MR026CBS4DA3	S4=15u"Gold/Tin SM=Matte Sn	40	*
34	73040-4MR034CBS4DA1	73040-4MR034CBS4DA2	73040-4MR034CBS4DA3		24	*
60	73040-4MR060CBS4DA1	73040-4MR060CBS4DA2	73040-4MR060CBS4DA3		20	*

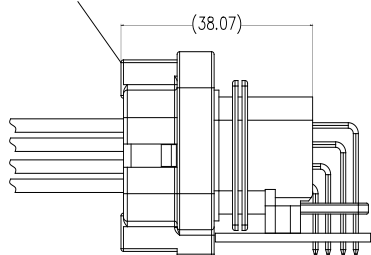
Note: * stands for mass production . 注: *代表可量产

Dimensions 尺寸 (26P R/A DIP)

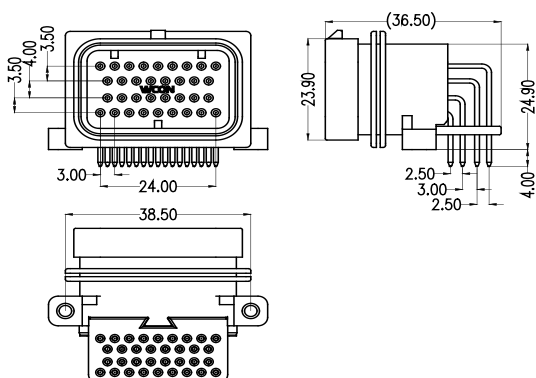


Assembly Schematic 装配示意

73040-4FC0XXAN00WAXX

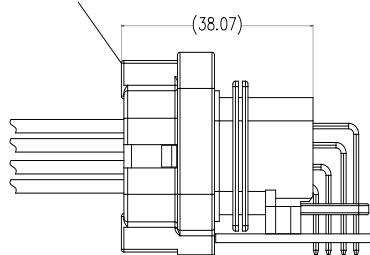


Dimensions 尺寸 (34P R/A DIP)

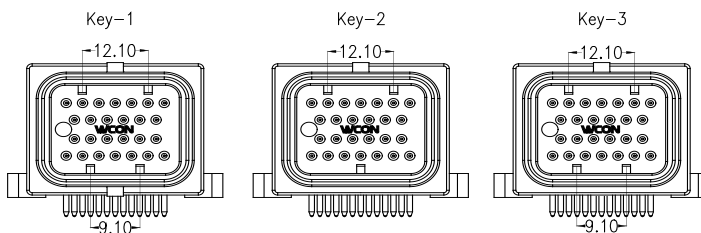


Assembly Schematic 装配示意

73040-4FC0XXAN00WAXX

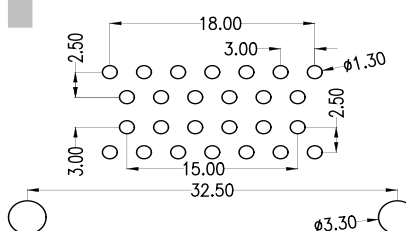


Key Layout Guide 键位说明

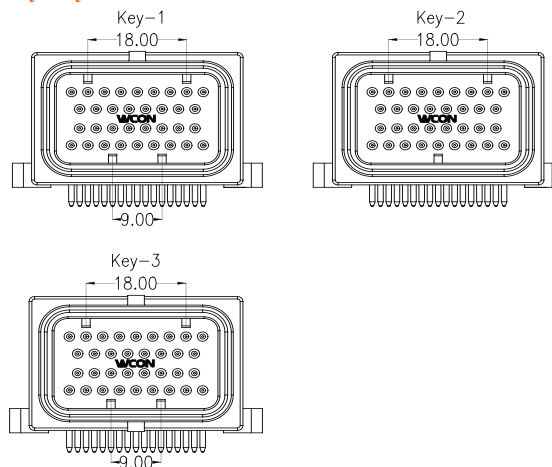


PCB Layout 印刷电路板布局

DIP type 通孔焊接型

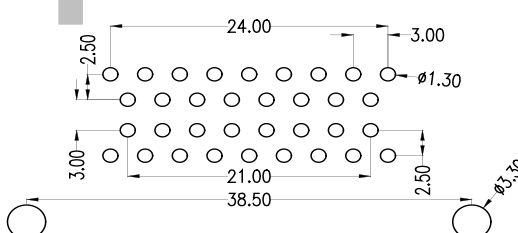


Key Layout Guide 键位说明

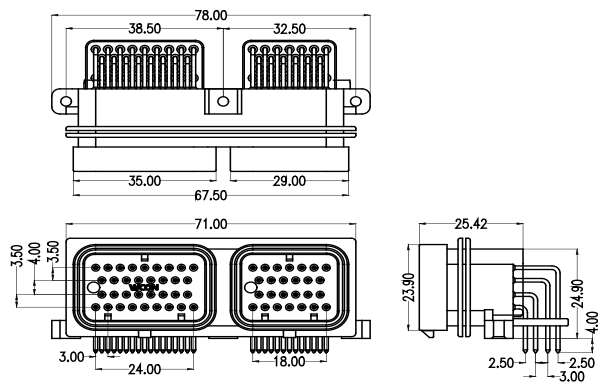


PCB Layout 印刷电路板布局

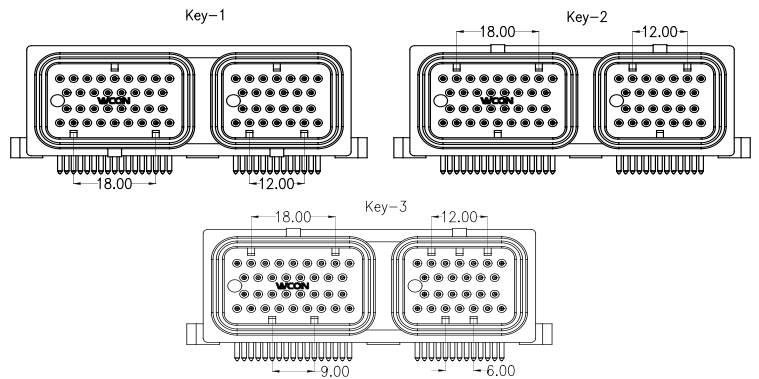
DIP type 通孔焊接型



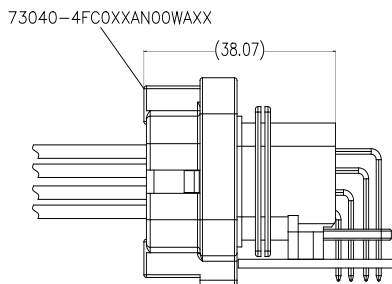
Dimensions 尺寸 (60P R/A DIP)



Key Layout Guide 键位说明

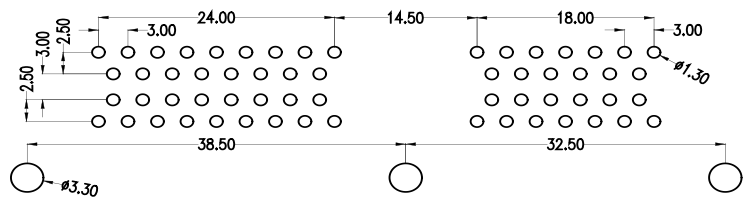


Assembly Schematic 装配示意



PCB Layout 印刷电路板布局

DIP type 通孔焊接型

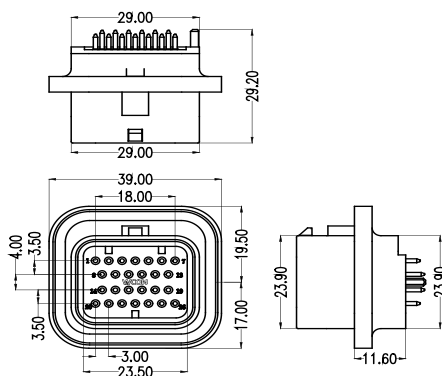


Order Information 订购信息

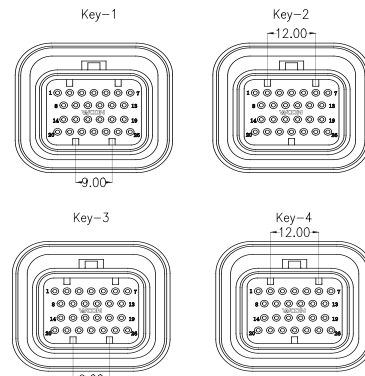
Circuit 芯数	Part number 型号				Plating 电镀	Package 包装 Q'ty/Tray只/盒装	Remake 可量产状态
	Key-1	Key-2	Key-3	Key-4			
26	73040-4MS026CBS4DA1W	73040-4MS026CBS4DA2W	73040-4MS026CBS4DA3W	73040-4MS026CBS4DA4W	S4=15u"Gold/Tin SM=Matte Sn	28	*
34	73040-4MS034CBS4DA1W	73040-4MS034CBS4DA2W	73040-4MS034CBS4DA3W	73040-4MS034CBS4DA4W		30	*

Note: * stands for mass production. 注: *代表可量产

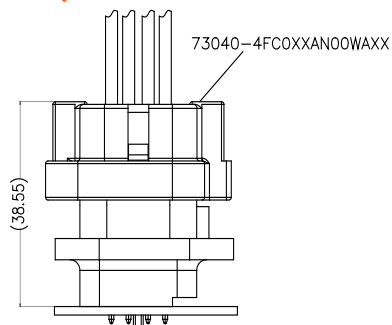
Dimensions 尺寸 (26P S/T DIP)



Key Layout Guide 键位说明

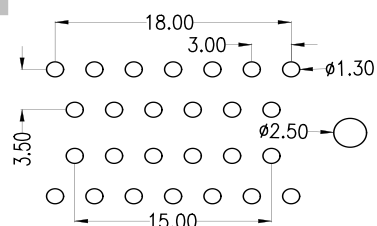


Assembly Schematic 装配示意

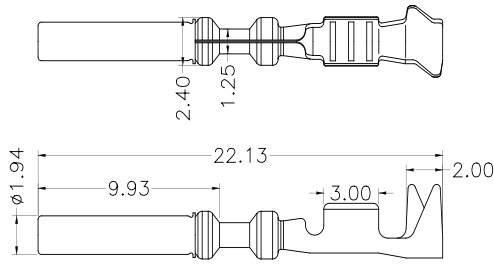


PCB Layout 印刷电路板布局

DIP type 通孔焊接型



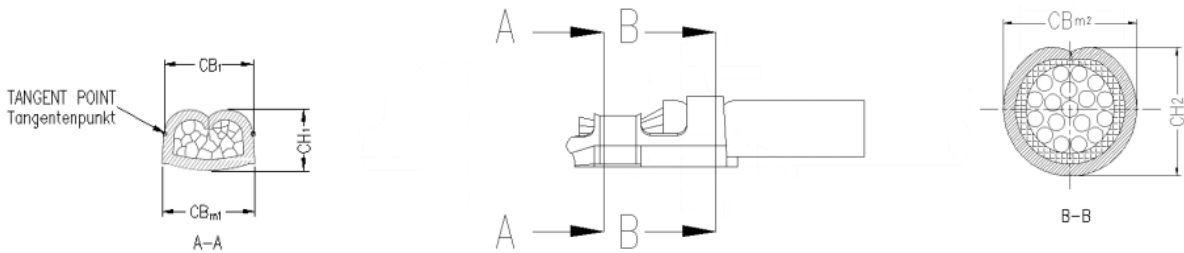
Adaptor Terminal 适配端子



Part number 型号	Suitable wire diameter 适配线径
T7319S-C221D1S40X	16~20AWG

Terminal Crimping Specification 端子压接规范

型号 Model number	电线类型 Wire type	电线规格 Wire size	线缆 OD (mm) Cable OD (mm)	剥线长度 (mm) Strip length (mm)	导体铆压 (A-A) Conductor crimp			绝缘体铆压 (B-B) Insulation crimp	
					压接宽度CB1 Crimping width CB1±0.03mm	压接宽度CBm1 Crimping height CBm1±0.03mm	压接高度 Crimping height CH1±0.03mm	压接宽度CBm2 Crimping width CBm2±0.05mm	压接高度CH2 Crimping width CH2±0.08mm
T7319S-C221D1S401	AVSS CAVS	20#AWG	1.60-1.90	3.50+1/-0	1.60	1.60	0.90	2.25	2.15
T7319S-C221D1S402	AVSS AESSX	18#AWG	1.60-1.90	3.50+1/-0	1.85	1.85	1.00	2.25	2.15
	AVSS CAVS	18#AWG	1.60-1.90	3.50+1/-0	1.85	1.85	1.05	2.25	2.15
	AVSS CAVS	16#AWG	1.90-2.20	3.50+1/-0	1.85	1.85	1.20	2.55	2.45



73040 Series

Model Numbering 型号命名

73040	-	4	M	X	XXX	X	B	XX	X	A	X
(1)		(2)	(3)	(4)	(5)	(6)	(7)	(8)	(9)	(10)	(11)
(1) Series (系列): 3.00mm Series						(7) Contact Material (触点材料): B=Brass					
(2) Number of rows (排数): 4=Four Row						(8) Contact Plating (电镀): SM=Matte Sn、S4=15u" Gold/Tin					
(3) Model(型号): M=Male						(9) D=Terminal Point Adhesive Sealing、 B=Terminal without adhesive					
(4) Terminal type (端子形态): S=S/T DIP、R=R/A DIP						(10) Packing (包装): A=Tray					
(5) Positions (位数): 026=26P、034=34P、060=60P						(11) Running number (流水码): 1=Key-1、2=Key-2、3=Key-3、 4=Key-4					
(6) Material (材料): A=PBT、C=PA9T											

73040	-	4	F	C	XXX	A	N	00	W	A	X
(1)		(2)	(3)	(4)	(5)	(6)				(7)	(8)
(1) Series (系列): 3.00mm Series						(5) Positions (位数): 026=26P、034=34P					
(2) Number of rows (排数): 4=Four Row						(6) Material (材料): A=PBT					
(3) Model(型号): F=Female						(7) Packing (包装): A=Tray					
(4) Type of Assemble Cable(组装电缆类型): C=Crimp						(8) Running number (流水码): 1=Key-1、2=Key-2、3=Key-3					

Contact Us 联系我们

维峰电子股份有限公司(总部)
WCON ELECTRONICS CO.,LTD(HQ)
地址:广东省东莞市虎门镇大宁文明路15号
Add :No.15,Wenming Road,Danling Community, Humen Town,
Dongguan, Guangdong.523930, China

昆山维康电子有限公司
KUNSHAN WCON ELECTRONICIS CO.,LTD(East of China)
地址:江苏昆山千灯镇汶浦中路169号
Add : No.169, WenPu Middle Road, QianDeng Town, Kunshan
City, Jiangsu Province, China

合肥维峰电子有限公司
HEFEI WCON ELECTRONICIS CO.,LTD
地址:安徽合肥市高新技术开发区绿城科技园E栋2楼
Add : 2F, Building E, Greentown Science Park,High-tech Develop-
ment Zone, Hefei, Anhui,China

维康电子(泰国)有限公司
WCON ELECTRONICS (Thailand) CO.,LTD
地址:泰国巴真武里府西玛铺县华瓦区洛加纳工业园
Add: VG3C+H57, Hua Wa, Si Maha Phot District, Prachin Buri
25140, Thailand

销售联系方式 Contacts Information

国际客户部 International sales department
salesdg01@wcon.com
salesdg05@wcon.com

大客户专线 Major customer dedicated department
华南: salesdg28@wcon.com
华东: salesks@wcon.com

中小客户专线 Public Customer hot line
华南: salesdg10@wcon.com
华东: salesks01@wcon.com

网络销售 Online sales department
salesdg26@wcon.com



Official Website



Product e-catalog



WeChat Public#



TikTok Public#