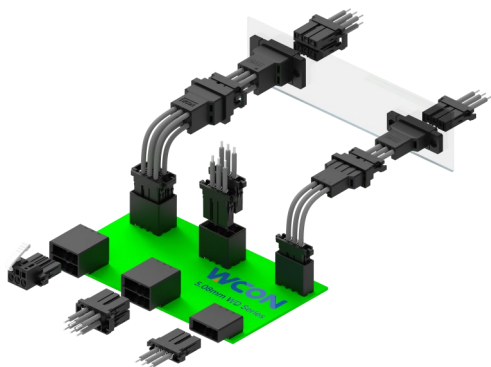


WD5085 Series

5.08mm pitch/Wire-to-board, Wire-to-Wire Connector



Overview

The WD5085 series are 5.08mm pitch wire-to-board and wire-to-wire connectors. They provide a comprehensive solution for signal and power connections; each pin can carry currents up to 12A. Multiple mounting options—such as mid-air mating, panel mounting, vertical mating, and horizontal mating—meet diverse customer requirements, establishing efficient and stable bridges for power and signal transmission.

Features and Benefits

- Anti-misplug structure
- Supports high-current transmission (12A Max), Withstands voltages up to 2200V AC
- Three-contact terminal box design for vibration-resistant performance
- Dual-clip detachable design for simple and convenient operation

Product Applications

- Industrial: Industrial control equipment, servo drives, CNC machine tools, laser cutting machines
- Services: Servers, elevators

Standard 标准

- QC/1067, EIA-364

Material 材料

Part/零件	Material/材料	Finish/电镀	UL Flame retardant/阻燃等级
Housing/主体	PBT	Black/黑色	UL94V-0
Header/板端	LCP/PBT	Black/黑色	UL94V-0
Terminal/端子	Copper alloy 铜合金	Gold-plated/镀金 Tin-plated/镀锡	/

WD5085系列

5.08mm间距/线到板、线到线连接器



Three-contact
三点接触

概述

WD5085系列是5.08mm间距线到板，线到线连接器。是一款可提供从信号到电源连接的综合解决方案；单个Pin位可承载电流高达12A，多种适配安装方式，如：空中对接&面板对接，垂直对接，水平对接，应对客户各类使用要求，搭建高效稳定的电源及信号传输桥梁。

产品特点

- 防错插结构设计
- 支持大电流传输（12A 最大），耐电压可达到2200V AC
- 端子三触点盒型结构设计，适应各种震动环境
- 双耳扣分离设计，操作简单便捷

应用领域

- 工业：工业控制设备、伺服驱动器、数控机床、激光切割机
- 服务：服务器、电梯

UL certification UL认证

- E248993

Production Specifications 产品规格

Current rating 额定电流	12.0A	Operating Temperature Range:-55℃~+105℃ (including temperature rise) Operating Humidity Range:20-80% 工作温度范围: -55℃~+105℃(含温升) 工作湿度范围: ≤80%	Storage temperature: Humidity: 储存温度: 25±5℃ 储存湿度: ≤60%
Voltage rating 额定电压	320V		

Item 项目	Condition 条件	Specification 规格
Insulation Resistance 绝缘电阻	Measured at 1000V DC for 1 minute 测试电压: 1000V DC/1分钟	No less than 1000MΩ 不少于1000MΩ
Withstanding voltage 耐电压	Measured at 2200V AC for 1 minute 测试电压: 2200V AC/1分钟	No breakdown, no discharge, leakage current <0.5 mA 无击穿、无放电、漏电流<0.5 mA
Contact Resistance 接触电阻	Measured at 100mA and no higher than 20mV 用20 mV DC进行测量	Contact resistance: Initial value/ 5 mΩ max After environmental tests/ 10 mΩ max. 接触电阻: 初始值 5 mΩ 以下 测试后 10 mΩ 以下
Vibration Resistance 抗振动	Vibration Frequency : 5~1000Hz Vibration Direction : X,Y,Z; Duration : 8 h each; (fig 3) 震动频率: 5~1000HZ 震动方向: X,Y,Z 持续时间: 8H各方向	The contacting resistance exceeds 7Ω for no more than 1μs. 连接电阻连续大于 7Ω 的时间不超过 1μs
Temperature life 高温老化	Temperature : 100°C Duration : 1008H 温度: 100°C 时间: 1008H	Contact resistance: Initial value/ 5 mΩ max After environmental tests/ 10 mΩ max. 接触电阻: 初始值 5 mΩ 以下 测试后 10 mΩ 以下
Salt Spray 盐雾	Temperature:35±2°C Humidity:95~98%(R.H) PHValue : 6.5 ~ 7.2 Duration : 24 hours 温度: 35±2° C 湿度: 95~98%(R.H) PH值: 6.5~7.2 时间: 24 H	Contact resistance: Initial value/ 5 mΩ max After environmental tests/ 10 mΩ max. 接触电阻: 初始值 5 mΩ 以下 测试后 10 mΩ 以下
Durability(Mating/un-mating) 插拔寿命	100 cycles 循环100次	Contact resistance: Initial value/ 5 mΩ max After environmental tests/ 10 mΩ max. 接触电阻: 初始值 5 mΩ 以下 测试后 10 mΩ 以下

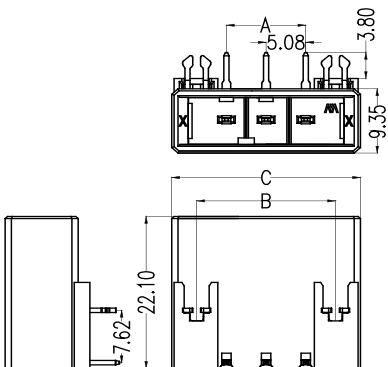
WD5085 Series

Order Information 订购信息

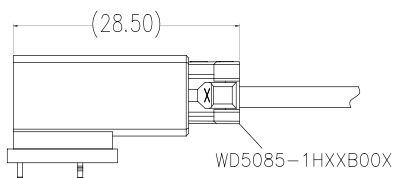
Circuit 芯数	Part number 型号			Plating 电镀	Dimensions 尺寸 (mm)			Package 包装 Qty/Tube 只/管装	Remake 可量产 状态
	Key-X	Key-Y	Key-Z		A	B	C		
2	WD5085-1WR02XXBT01	WD5085-1WR02XXBT02	WD5085-1WR02XXBT03	XX: SM=Matte Tin W1=3u"Gold/ Matte Tin W4=15u"Gold/ /Matte Tin	5.08	12.70	19.08	30	*
3	WD5085-1WR03XXBT01	WD5085-1WR03XXBT02	WD5085-1WR03XXBT03		10.16	17.78	24.16	24	*
4	WD5085-1WR04XXBT01	WD5085-1WR04XXBT02	WD5085-1WR04XXBT03		15.24	22.86	29.24	19	*
5	WD5085-1WR05XXBT01	WD5085-1WR05XXBT02	WD5085-1WR05XXBT03		20.32	27.94	34.32	16	*
6	WD5085-1WR06XXBT01	WD5085-1WR06XXBT02	WD5085-1WR06XXBT03		25.40	33.02	39.40	14	*

Note: * stands for mass production . 注: *代表可量产

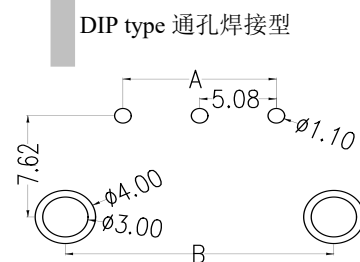
Dimensions 尺寸 (R/A DIP)



Assembly Schematic 装配示意



PCB Layout 印刷电路板布局



Key Layout Guide 键位说明

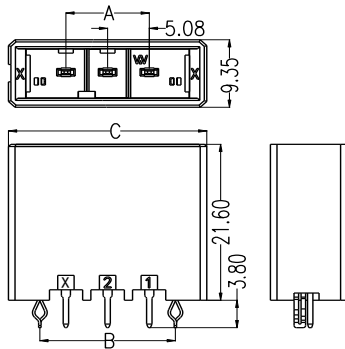
Foolproof No.	2P	3P	4P	5P	6P
Key-X					
Key-Y					
Key-Z					

Order Information 订购信息

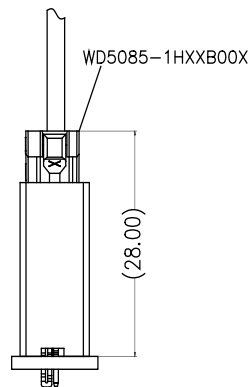
Circuit 芯数	Part number 型号			Plating 电镀	Dimensions 尺寸 (mm)			Package 包装 Qty/Reel 只/卷装	Remake 可量产 状态
	Key-X	Key-Y	Key-Z		A	B	C		
2	WD5085-1WS02XXBT01	WD5085-1WS02XXBT02	WD5085-1WS02XXBT03	XX: SM=Matte Tin W1=3u"Gold/ Matte Tin W4=15u"Gold /Matte Tin	5.08	11.43	19.08	30	*
3	WD5085-1WS03XXBT01	WD5085-1WS03XXBT02	WD5085-1WS03XXBT03		10.16	16.51	24.16	24	*
4	WD5085-1WS04XXBT01	WD5085-1WS04XXBT02	WD5085-1WS04XXBT03		15.24	21.59	29.24	19	*
5	WD5085-1WS05XXBT01	WD5085-1WS05XXBT02	WD5085-1WS05XXBT03		20.32	26.67	34.32	16	*
6	WD5085-1WS06XXBT01	WD5085-1WS06XXBT02	WD5085-1WS06XXBT03		25.40	31.75	39.40	14	*

Note: * stands for mass production . 注: *代表可量产

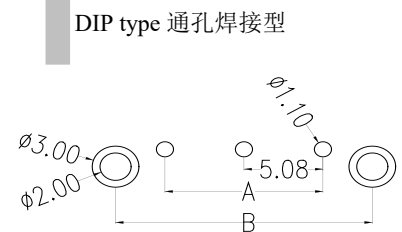
Dimensions 尺寸 (R/A DIP)



Assembly Schematic 装配示意



PCB Layout 印刷电路板布局



Key Layout Guide 键位说明

Foolproof No.	2P	3P	4P
Key-X			
Key-Y			
Key-Z			

Foolproof No.	5P	6P
Key-X		
Key-Y		

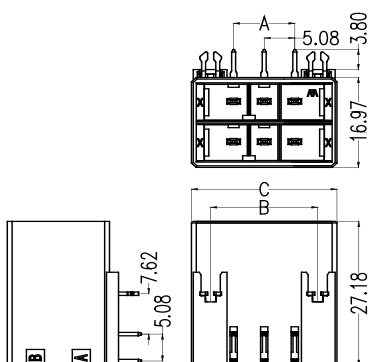
WD5085 Series

Order Information 订购信息

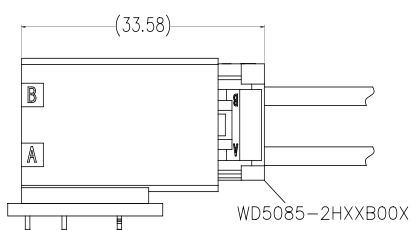
Circuit 芯数	Part number 型号	Key Layout Guide 键位说明	Plating 电镀	Dimensions 尺寸 (mm)			Package 包装 Qty/Tray 只/盘装	Remake 可量产 状态
				A	B	C		
2*3	WD5085-2WR03XXBA04	Key-XX	XX: SM=Matte Tin W1=3u"Gold/Matte Tin W4=15u"Gold/Matte Tin	10.16	17.78	24.16	80	*
	WD5085-2WR03XXBA05	Key-YY					80	*
	WD5085-2WR03XXBA06	Key-XY					80	*
	WD5085-2WR03XXBA07	Key-YX					80	*
	WD5085-2WR03XXBA08	Key-ZX					80	*
	WD5085-2WR03XXBA09	Key-ZZ					80	*
2*5	WD5085-2WR05XXBA04	Key-XX		20.32	27.94	34.32	55	*
	WD5085-2WR05XXBA05	Key-YY		55	*			
	WD5085-2WR05XXBA06	Key-XY		55	*			
2*6	WD5085-2WR06XXBA04	Key-XX		25.40	33.02	39.40	50	*
	WD5085-2WR06XXBA05	Key-YY					50	*
	WD5085-2WR06XXBA06	Key-XY					50	*

Note: * stands for mass production . 注: *代表可量产

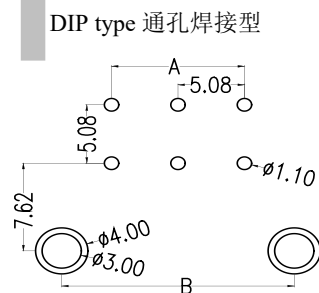
Dimensions 尺寸 (R/A DIP)



Assembly Schematic 装配示意



PCB Layout 印刷电路板布局



Key Layout Guide 键位说明

Foolproof No.	Key-XX	Key-YY	Key-XY	Key-YX	Key-ZX	Key-ZZ
2*3P						

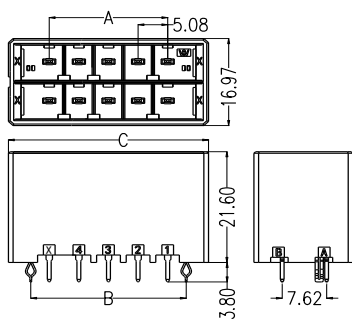
Foolproof No.	Key-XX	Key-YY	Key-XY
2*5P			
2*6P			

Order Information 订购信息

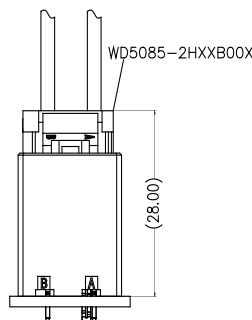
Circuit 芯数	Part number 型号	Key Layout Guide 键位说明	Plating 电镀	Dimensions 尺寸 (mm)			Package 包装 Qty/Tray 只/盘装	Remake 可量产 状态
				A	B	C		
2*3	WD5085-2WS03XXBA04	Key-XX	XX: SM=Matte Tin W1=3u"Gold/Matte Tin W4=15u"Gold/Matte Tin	10.16	16.51	24.16	102	*
	WD5085-2WS03XXBA05	Key-YY					102	*
	WD5085-2WS03XXBA06	Key-XY					102	*
	WD5085-2WS03XXBA07	Key-YX					102	*
	WD5085-2WS03XXBA08	Key-ZX					102	*
	WD5085-2WS03XXBA09	Key-ZZ					102	*
2*4	WD5085-2WS04XXBA04	Key-XX		15.24	21.59	29.24	84	*
	WD5085-2WS04XXBA05	Key-YY					84	*
	WD5085-2WS04XXBA06	Key-XY					84	*
2*5	WD5085-2WS05XXBA04	Key-XX		20.32	26.67	34.32	72	*
	WD5085-2WS05XXBA05	Key-YY					72	*
	WD5085-2WS05XXBA06	Key-XY					72	*
2*6	WD5085-2WS06XXBA04	Key-XX		25.40	31.75	39.40	60	*
	WD5085-2WS06XXBA05	Key-YY					60	*
	WD5085-2WS06XXBA06	Key-XY					60	*

Note: * stands for mass production. 注: *代表可量产

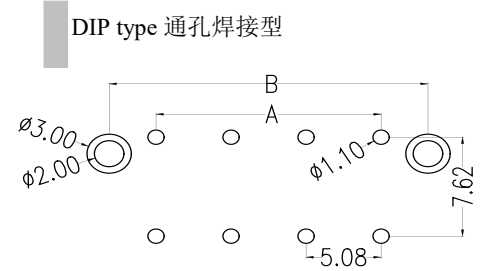
Dimensions 尺寸 (R/A DIP)



Assembly Schematic 装配示意



PCB Layout 印刷电路板布局



Key Layout Guide 键位说明

Foolproof No.	Key-XX	Key-YY	Key-XY	Key-YX	Key-ZX	Key-ZZ
2*3P						
Foolproof No.	Key-XX	Key-YY	Key-XY			
2*4P						
Foolproof No.	Key-XX	Key-YY	Key-XY			
2*5P						
Foolproof No.	Key-XX	Key-YY	Key-XY			
2*6P						

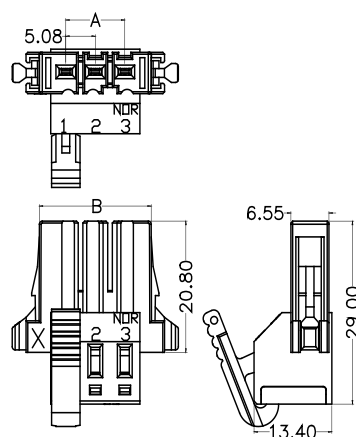
WD5085 Series

Order Information 订购信息

Circuit 芯数	Part number 型号		Dimensions 尺寸 (mm)		Parkage 包装 Q'ty/Tray 只/盘装	Remake 可量产状态
	Key-X	Key-Y	A	B		
3	WD5085 -1HA03SXBA01	WD5085 -1HA03SXBA02	10.16	19.24	45	*
4	WD5085 -1HA04SXBA01	WD5085 -1HA04SXBA02	15.24	24.32	40	*
5	WD5085 -1HA05SXBA01	WD5085 -1HA05SXBA02	20.32	29.40	35	*
6	WD5085 -1HA06SXBA01	WD5085 -1HA06SXBA02	25.40	34.48	30	*

Note: * stands for mass production . 注: *代表可量产

Dimensions 尺寸



Key Layout Guide 键位说明

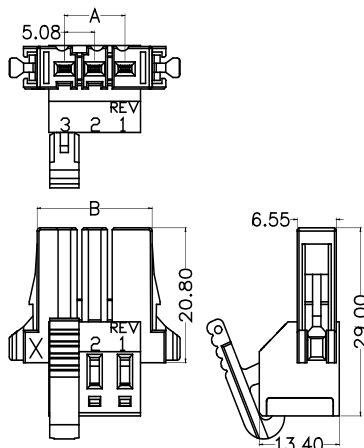
PIN Foolproof	3P	4P	5P	6P
	X			
Y				

Order Information 订购信息

Circuit 芯数	Part number 型号		Dimensions 尺寸 (mm)		Parkage 包装 Q'ty/Tray 只/盘装	Remake 可量产状态
	Key-X	Key-Y	A	B		
3	WD5085 -1HB03SXBA01	WD5085 -1HB03SXBA02	10.16	19.24	45	*
4	WD5085 -1HB04SXBA01	WD5085 -1HB04SXBA02	15.24	24.32	40	*
5	WD5085 -1HB05SXBA01	WD5085 -1HB05SXBA02	20.32	29.40	35	*
6	WD5085 -1HB06SXBA01	WD5085 -1HB06SXBA02	25.40	34.48	30	*

Note: * stands for mass production . 注: *代表可量产

Dimensions 尺寸



Key Layout Guide 键位说明

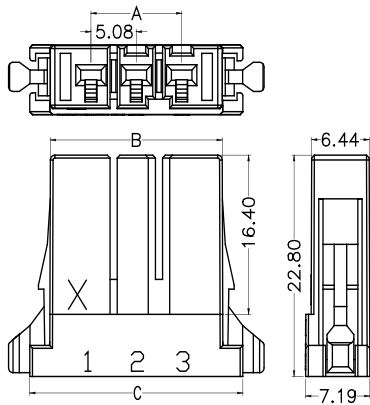
PIN Foolproof	3P	4P	5P	6P
	X			
Y				

Order Information 订购信息

Circuit 芯数	Part number 型号			Dimensions 尺寸 (mm)			Parkage 包装 Q'ty/Bag 只/袋装	Remake 可量产状态
	Key-X	Key-Y	Key-Z	A	B	C		
2	WD5085-1H02B001	WD5085-1H02B002	/	5.08	14.16	18.78	1000	*
3	WD5085-1H03B001	WD5085-1H03B002	WD5085-1H03B003	10.16	19.24	23.86	800	*
4	WD5085-1H04B001	WD5085-1H04B002	/	15.24	24.32	28.94	600	*
5	WD5085-1H05B001	WD5085-1H05B002	/	20.32	29.40	34.02	500	*
6	WD5085-1H06B001	WD5085-1H06B002	/	25.40	34.48	39.10	500	*

Note: * stands for mass production . 注: *代表可量产

Dimensions 尺寸



Key Layout Guide 键位说明

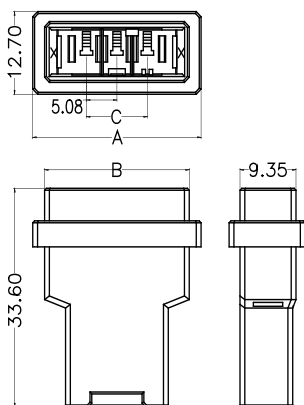
	X	Y	Z
2P			
3P			
4P			
5P			
6P			

Order Information 订购信息

Circuit 芯数	Part number 型号		Dimensions 尺寸 (mm)			Parkage 包装 Q'ty/Bag 只/袋装	Remake 可量产状态
	Key-X	Key-Y	A	B	C		
2	WD5085-1HK02B001	WD5085-1HK02B002	23.03	19.08	5.08	400	*
3	WD5085-1HK03B001	WD5085-1HK03B002	28.11	24.16	10.16	400	*
4	WD5085-1HK04B001	WD5085-1HK04B002	33.19	22.24	15.24	300	*

Note: * stands for mass production . 注: *代表可量产

Dimensions 尺寸



Key Layout Guide 键位说明

KEYING Pos.	X	Y
2		
3		
4		

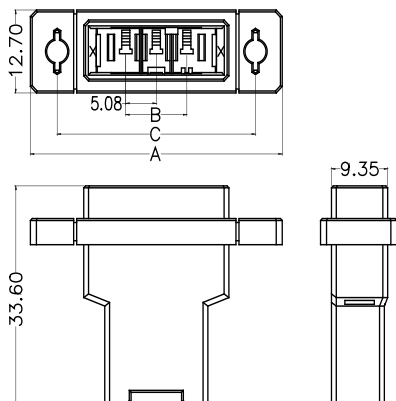
WD5085 Series

Order Information 订购信息

Circuit 芯数	Part number 型号		Dimensions 尺寸 (mm)			Package 包装 Qty/Bag 只/袋装	Remake 可量产状态
	Key-X	Key-Y	A	B	C		
2	WD5085-1HG02B001	WD5085-1HG02B002	36.83	5.08	28.00	300	*
3	WD5085-1HG03B001	WD5085-1HG03B002	41.91	10.16	33.00	300	*
4	WD5085-1HG04B001	WD5085-1HG04B002	46.99	15.24	38.00	250	*

Note: * stands for mass production . 注: *代表可量产

Dimensions 尺寸



Key Layout Guide 键位说明

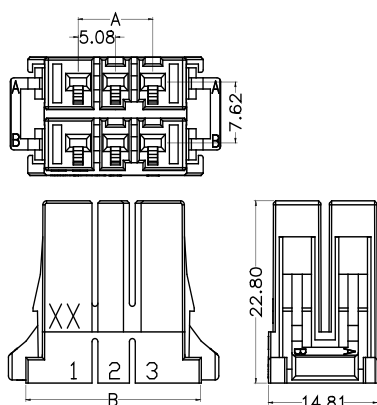
KEYING Pos.	X	Y
2		
3		
4		

Order Information 订购信息

Circuit 芯数	Part number 型号			Dimensions 尺寸 (mm)		Package 包装 Qty/Bag 只/袋装	Remake 可量产状态
	Key-XX	Key-YY	Key-XY	A	B		
2*3	WD5085-2H03B004	WD5085-2H03B005	WD5085-2H03B006	10.16	23.86	400	*
2*4	WD5085-2H04B004	WD5085-2H04B005	WD5085-2H04B006	15.24	28.94	250	*
2*5	WD5085-2H05B004	WD5085-2H05B005	WD5085-2H05B006	20.32	34.02	250	*
2*6	WD5085-2H06B004	WD5085-2H06B005	WD5085-2H06B006	25.40	39.10	250	*
2*10	WD5085-2H10B004	/	/	45.72	59.42	200	*

Note: * stands for mass production . 注: *代表可量产

Dimensions 尺寸



Key Layout Guide 键位说明

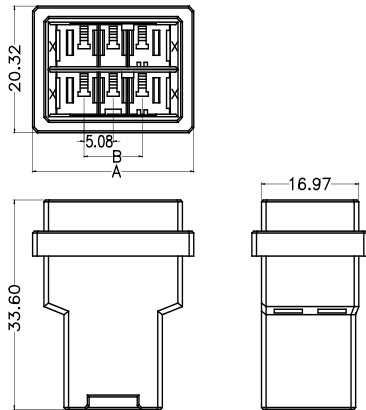
	2x3P	2x4P	2x5P	2x6P
XX				
YY				
XY				
XX				

Order Information 订购信息

Circuit 芯数	Part number 型号			Dimensions 尺寸 (mm)		Package 包装 Q'ty/Bag 只/袋装	Remake 可量产状态
	Key-XX	Key-YY	Key-XY	A	B		
2*3	WD5085-2HK03B004	WD5085-2HK03B005	WD5085-2HK03B006	41.91	10.16	300	*
2*6	WD5085-2HK06B004	WD5085-2HK06B005	WD5085-2HK06B006	57.91	25.40	250	*

Note: * stands for mass production . 注: *代表可量产

Dimensions 尺寸



Key Layout Guide 键位说明

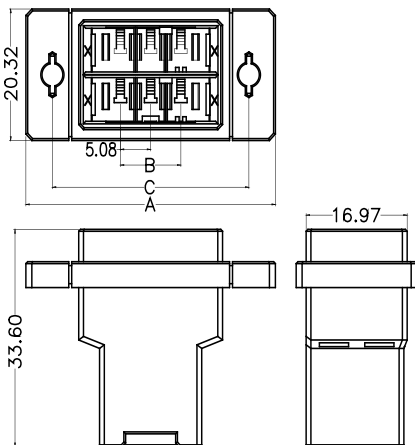
KEYING Pos.	XX	YY	XY
6			
12			

Order Information 订购信息

Circuit 芯数	Part number 型号				Dimensions 尺寸 (mm)			Package 包装 Q'ty/Bag	Remake 可量产 状态
	Key-XX	Key-YY	Key-XY	Key-ZZ	A	B	C		
2*3	WD5085-2HG03B004	WD5085-2HG03B005	WD5085-2HG03B006	WD5085-2HG03B009	41.91	10.16	33.00	300	*
2*6	WD5085-2HG06B004	WD5085-2HG06B005	WD5085-2HG06B006	WD5085-2HG06B009	57.91	25.40	49.00	250	*
2*10	WD5085-2HG10B004	/	/	/	78.23	45.72	70.00	100	*

Note: * stands for mass production . 注: *代表可量产

Dimensions 尺寸

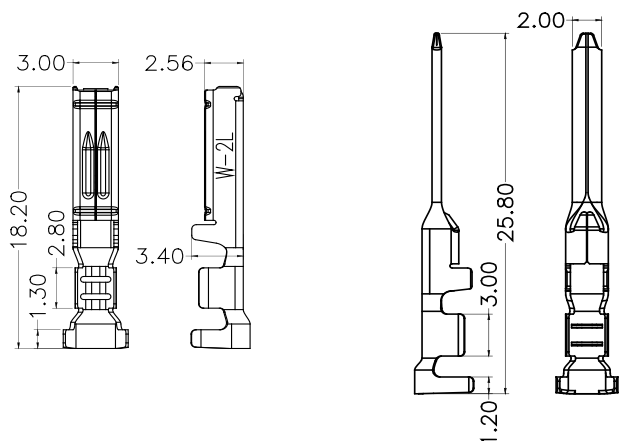


Key Layout Guide 键位说明

Pos.	KEYING		Pos.	KEYING	
6	XX		12	XX	
	YY			YY	
	XY			XY	
	ZZ		20	XX	

WD5085 Series

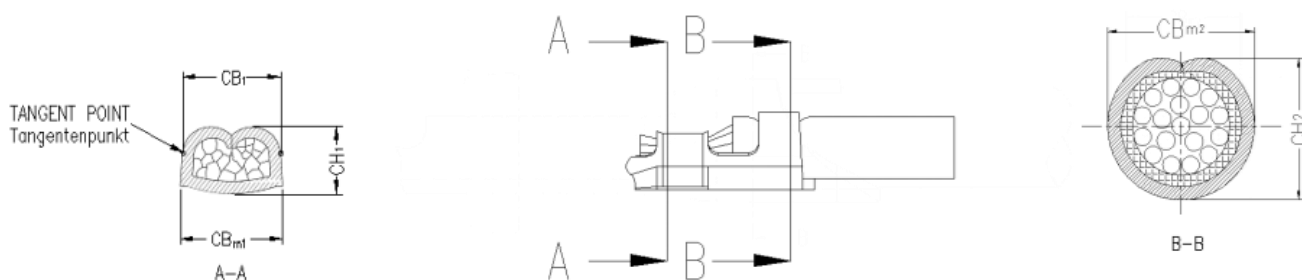
Adaptor Terminal 适配端子



Part number 型号	Suitable wire diameter 适配线径
WD3810-XTD414XX0X	14~16AWG
WD3810-XTD416XX01	16~20AWG
WD3810-XTD420XX01	20~24AWG
WD3810-XTD424XX01	24~28AWG

Terminal Crimping Specification 端子压接规范

型号 Model number	电线类型 Wire type	电线规格 Wire size	线缆 OD (mm) Cable OD (mm)	剥线长度 (mm) Strip length (mm)	导体铆压 (A-A) Conductor crimp		导体铆压 (B-B) Conductor crimp	
					压接宽度CBm1 Crimping height CBm1±0.05mm	压接高度 Crimping height CH1±0.03mm	压接宽度CBm2 Crimping width CBm2±0.05mm	压接高度CH2 Crimping width CH2±0.08mm
WD3810-XTD414XX0X	/	14AWG	2.20~3.40	4.3~5.3	2.54	1.68	2.79	3.20
	/	16AWG				1.45		3.20
WD3810-XTD416XX01	/	16AWG	2.35~2.80	3.8~4.8	2.29	1.46	2.79	3.0~3.20
	/	18AWG	2.03~2.80			1.30		2.8~3.20
	/	20AWG	1.80~2.56			1.18		2.8~3.1
WD3810-XTD420XX01	/	20AWG	1.80~2.56	3.8~4.8	1.57	1.20	2.79	2.6~2.9
	/	22AWG	1.60~2.38			1.11		2.5~2.8
	/	24AWG	1.27~1.43			1.04		2.4
WD3810-XTD424XX01	/	24AWG	/	/	/	/	/	/
	/	26AWG	/	/	/	/	/	/
	/	28AWG	/	/	/	/	/	/



Model Numbering 型号命名

WD5085	-	X	WX	XX	XX	B	X	XX
(1)		(2)	(3)	(4)	(5)	(6)	(7)	(8)
(1) Series (系列): 5.08mm Dyn Series				(5) Contact Plating (电镀): SM=Matte Tin、 W3=10u" Gold /Matte Tin、 W4=15u" Gold /Matte Tin				
(2) Number of rows (排数): 1=Single Row、 2=Double Row				(6) Color(颜色): B=Black				
(3) Terminal type(端子形态): WS=S/T DIP、 WR=R/A DIP				(7) Packing(包装): T=Tube、 A=Tray				
(4) Positions(位数): 02=2P.....06=6P (Single Row)、 2*3=6P.....2*6=12P (Double Row)				(8) Running number(流水码): 01=Key-X、 02=Key-Y、 03=Key-Y、 04=Key-XX、 05=Key-YY、 06=Key-XY、 07=Key-YX、 08=Key-ZX、 09=Key-ZZ				

WD5085	-	X	H	XX	B	0	XX
(1)		(2)	(3)	(4)	(5)	(6)	(7)
(1) Series (系列): 5.08mm Dyn Series				(5) Color(颜色): B=Black			
(2) Number of rows (排数): 1=Single Row、 2=Double Row				(6) Packing(包装): 0=PE Bag			
(3) Product type(产品类型): H=Crimp Type Housing				(7) Running number(流水码): 01=Key-X、 02=Key-Y、 03=Key-Z、 04=Key-XX、 05=Key-YY、 06=Key-XY			
(4) Positions(位数): 02=2P.....06=6P (Single Row)、 2*3=6P.....2*10=20P (Double Row)							

WD5085	-	X	HK	XX	B	0	XX
(1)		(2)	(3)	(4)	(5)	(6)	(7)
(1) Series (系列): 5.08mm Dyn Series				(5) Color(颜色): B=Black			
(2) Number of rows (排数): 1=Single Row、 2=Double Row				(6) Packing(包装): 0=PE Bag			
(3) Product type(产品类型): HK=Aerial Joints Housing				(7) Running number(流水码): 01=Key-X、 02=Key-Y、 04=Key-XX、 05=Key-YY、 06=Key-XY			
(4) Positions(位数): 02=2P.....04=4P (Single Row)、 2*3=6P、 2*6=12P (Double Row)							

WD5085	-	X	HG	XX	B	0	XX
(1)		(2)	(3)	(4)	(5)	(6)	(7)
(1) Series (系列): 5.08mm Dyn Series				(5) Color(颜色): B=Black			
(2) Number of rows (排数): 1=Single Row、 2=Double Row				(6) Packing(包装): 0=PE Bag			
(3) Product type(产品类型): HG=Panel mounted Housing				(7) Running number(流水码): 01=Key-X、 02=Key-Y、 04=Key-XX、 05=Key-YY、 06=Key-XY、 09=Key-ZZ			
(4) Positions(位数): 02=2P.....04=4P (Single Row)、 2*3=6P、 2*6=12P、 2*10=20P (Double Row)							

WD5085	-	1	HX	XX	SX	B	A	XX
(1)		(2)	(3)	(4)	(5)	(6)	(7)	(8)
(1) Series (系列): 5.08mm Dyn Series					(5) Contact Plating (电镀): S4=15u" Gold /Ni、			
(2) Number of rows (排数): 1=Single Row					(6) Color(颜色): B=Black			
(3) Product type (产品类型): HA=Spring compression -Normal type、HB=Spring compression-Reverse type					(7) Packing (包装): A=Tray			
(4) Positions (位数): 03=3P.....06=6P					(8) Running number (流水码): 01=Key-X、02=Key-Y			

Contact Us 联系我们

维峰电子股份有限公司(总部)
WCON ELECTRONICS CO.,LTD(HQ)
地址:广东省东莞市虎门镇大宁文明路15号
Add :No.15,Wenming Road,Daning Community, Humen Town, Dongguan, Guangdong,523930, China

昆山维康电子有限公司
KUNSHAN WCON ELECTRONICIS CO.,LTD(East of China)
地址:江苏昆山市千灯镇汶浦中路169号
Add : No.169, WenPu Middle Road, QianDeng Town, Kunshan City, Jiangsu Province, China

合肥维峰电子有限公司
HEFEI WCON ELECTRONICIS CO.,LTD
地址:安徽合肥市高新技术开发区绿城科技园E栋2楼
Add : 2F, Building E, Greentown Science Park,High-tech Development Zone, Hefei, Anhui,China

维康电子(泰国)有限公司
WCON ELECTRONICS (Thailand) CO.,LTD
地址:泰国巴真武里府西玛铺县华瓦区洛加纳工业园
Add: VG3C+H57, Hua Wa, Si Maha Phot District, Prachin Buri 25140, Thailand

销售联系方式 Sales Contacts

国际客户部 International Sales Department
salesdg01@wcon.com
salesdg05@wcon.com

大客户专线 Key Account Line
华南: salesdg28@wcon.com
华东: salesks@wcon.com

中小客户专线 Small and Medium-sized Account Line
华南: salesdg10@wcon.com
华东: salesks01@wcon.com

网络销售 Online sales
salesdg26@wcon.com



Official Website



Product e-catalog



WeChat Public#



TikTok Public#