

WF4201 Series

4.20mm pitch/Wire-to-board, wire-to-wire Connector

WF4201系列

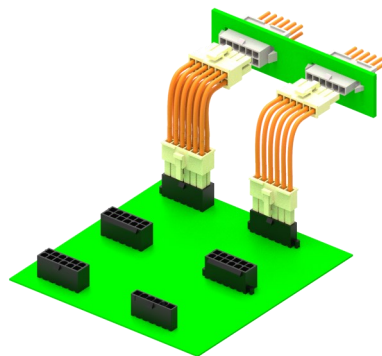
4.20mm间距/线到板、线到线连接器

Overview

WF4202 is a 4.20mm pitch wire-to-board and wire-to-wire connector featuring diverse product configurations and flexible adaptability. Its four-contact terminal design effectively ensures stable and complete signal transmission.

概述

WF4201是一款4.20mm间距线到板、线到线连接器，产品形态多样，适配灵活，且打线端子四触点设计能有效确保信号传输的稳定性以及完整性。



Features and Benefits

- Anti-misplug structure
- Snap-fit design ensures secure and reliable connection, preventing separation or disconnection
- Variety of connection methods meet the needs of various application scenarios
- Four-contact terminal design delivers more stable and reliable signal transmission

产品特点

- 防误插结构设计
- 卡扣设计，适配牢固可靠，避免分离脱落
- 适配方式多样化，可满足客户各种场合的应用需求
- 打线端子四触点设计，信号传输更加稳定可靠

Product Applications

- Industrial: Automation equipment, industrial servers
- Consumer: HVAC systems, refrigerators, washing machines
- Networking: Routers, servers, storage devices
- Medical: Diagnostic equipment, patient monitors

应用领域

- 工业：自动化设备、工业服务器
- 消费类：暖通空调、冰箱、洗衣机
- 网络：路由器、服务器、存储器
- 医疗：诊断设备、病人监护仪

Standard 标准

- EIA-364

UL certification UL认证

- E248993

Material 材料

Part/零件	Material/材料	Finish/电镀	UL Flame retardant/阻燃等级
Housing/主体	PA66	Black/黑色 (V0) White/白色 (V2) Natural/自然色 (V0)	UL94-V2/UL94-V0
Header/板端	PA66/PA46	Black/黑色 (V0) White/白色 (V2) Natural/自然色 (V0)	UL94-V2/UL94-V0
Terminal/端子	Copper alloy 铜合金	Gold-plated/镀金 Tin-plated/镀锡	-

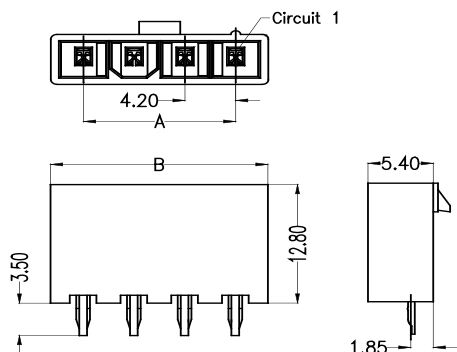
Production Specifications 产品规格

Current rating 额定电流	9.0 A (AWG#18)	Operating temperature Range:-40° C~+105° C (including temperature rise) Operating Humidity Range:20-80% 工作温度范围: -40° C~+105° C(含温升) 工作湿度范围: 20-80%	Storage temperature: Humidity: 储存温度: 25±5° C 储存湿度: ≤60%
Voltage rating 额定电压	600V		

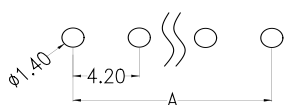
Item 项目	Condition 条件	Specification 规格
Insulation Resistance 绝缘电阻	Measured at 1000V DC for 1 minute 测试电压: 1000V DC/1分钟	No less than 1000MΩ 不少于1000MΩ
Withstanding voltage 耐电压	Measured at 1500V AC for 1 minute 测试电压: 1500V AC/1分钟	No breakdown, no discharge, leakage current <0.5mA 无击穿、无放电、漏电流<0.5mA
Contact Resistance 接触电阻	Measured at 100mA and no higher than 20mV 用20 mV DC进行测量	Contact resistance: Initial value/ 20 mΩ max After environmental tests/ 30 mΩ max. 接触电阻: 初始值 20 mΩ 以下 测试后 30 mΩ 以下
Vibration Resistance 抗振动	Frequency : 50 ~ 2000 Hz PSD value : 5.35Gms minimum Duration : 15 minutes/axis Times : Each of three mutually perpendicular planes. 频率: 50 ~ 2000 Hz PSD 值: 5.35Gms minimum 时长: 15分钟/轴 次数: 三个相互垂直的平面中的每一个	No electrical discontinuity of 1μs or greater 试验过程中未发生1μs瞬断现象, 且外观无损伤, 电气性能正常
Humidity (Steady state) 湿度	Temperature : -25° C~65° C Humidity: 90 ~95% (R.H) Duration : 96hours 温度: -25° C~65° C 湿度: 90~95% (R.H) 时间: 96小时	Contact resistance: Initial value/ 20 mΩ max After environmental tests/ 30 mΩ max. 接触电阻: 初始值 20 mΩ 以下 测试后 30 mΩ 以下
Salt Spray 盐雾	Temperature:35± 2°C Solution concentration : 5%NaCl PHValue : 6.5 ~ 7.2 Duration : 24hours 温度: 35±2° C 溶液浓度: 5%NaCl PH值: 6.5~7.2 时间: 24小时	Contact resistance: Initial value/ 20 mΩ max After environmental tests/ 30 mΩ max. No evidence of damage. 接触电阻: 初始值 20 mΩ 以下 测试后 30 mΩ 以下 无损坏迹象
Durability(Mating/un-mating) 插拔寿命	50 cycles 循环50次	Contact resistance: Initial value/ 20 mΩ max After environmental tests/ 30 mΩ max. 接触电阻: 初始值 20 mΩ 以下 测试后 30 mΩ 以下

WF4201 Series

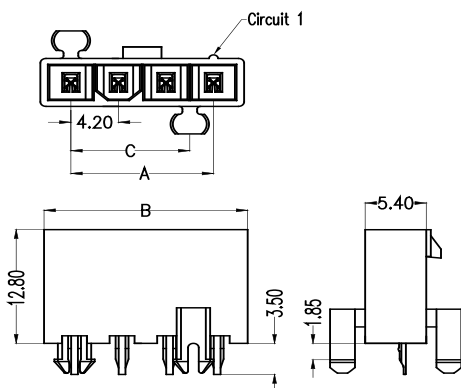
Dimensions 尺寸 (Single Row 单排)



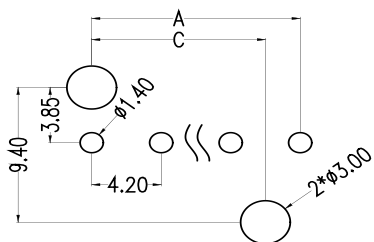
PCB Layout 印刷电路板布局



Dimensions 尺寸 (Single Row 单排)



PCB Layout 印刷电路板布局



Order Information 订购信息

Circuit 芯数	Part number 型号	Dimensions 尺寸 (mm)		Parkage 包装 Qty/Bag 只/袋装	Remake 可量产状态
		A	B		
2	WF420-1WS02X01	4.20	9.60	500	
3	WF420-1WS03X01	8.40	13.80	500	
4	WF420-1WS04X01	12.60	18.00	500	
5	WF420-1WS05X01	16.80	22.20	200	
6	WF420-1WS06X01	21.00	26.40	200	

Note: 1. * stands for mass production .

注: 1.*代表可量产

2. X denotes the colour code(B=Black、W=White)

2.X表示颜色代码 (B=黑色、W=白色)

Order Information 订购信息

Circuit 芯数	Part number 型号	Dimensions 尺寸 (mm)			Parkage 包装 Qty/Tube 只/管装	Remake 可量产状态
		A	B	C		
3	WF420-1WS03XT2	8.40	14.00	6.30	41	
4	WF420-1WS04XT2	12.60	18.00	10.50	32	
5	WF420-1WS05XT2	16.80	22.20	14.70	26	
6	WF420-1WS06XT2	21.00	26.40	18.90	21	

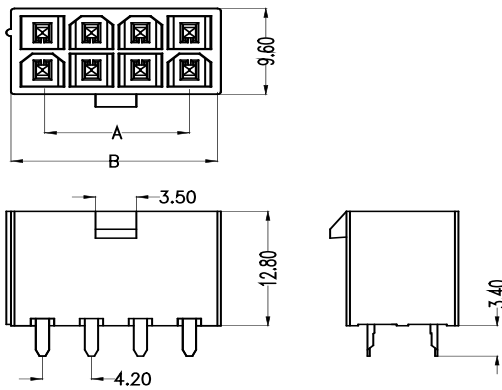
Note: 1. * stands for mass production .

注: 1.*代表可量产

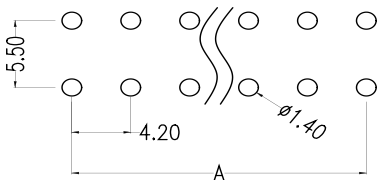
2. X denotes the colour code(B=Black、W=White)

2.X表示颜色代码 (B=黑色、W=白色)

Dimensions 尺寸 (Dual Row 双排)



PCB Layout 印刷电路板布局



Order Information 订购信息

Circuit 芯数	Part number 型号	Dimensions 尺寸 (mm)		Package 包装 Qty/Bag 只/袋装	Remake 可量产状态
		A	B		
2*1	WF420-2WS(H)01X01	-	5.40	1000	*
2*2	WF420-2WS(H)02X01	4.20	9.60	500	*
2*3	WF420-2WS(H)03X01	8.40	13.80	300	*
2*4	WF420-2WS(H)04X01	12.60	18.00	300	*
2*5	WF420-2WS(H)05X01	16.80	22.20	200	*
2*6	WF420-2WS(H)06X01	21.00	26.40	200	*
2*7	WF420-2WS(H)07X01	25.20	30.60	100	*
2*8	WF420-2WS(H)08X01	29.40	34.80	100	*
2*9	WF420-2WS(H)09X01	33.60	39.00	100	*
2*10	WF420-2WS(H)10X01	37.80	43.20	100	*
2*11	WF420-2WS(H)11X01	42.00	47.40	100	*
2*12	WF420-2WS(H)12X01	46.20	51.60	100	*

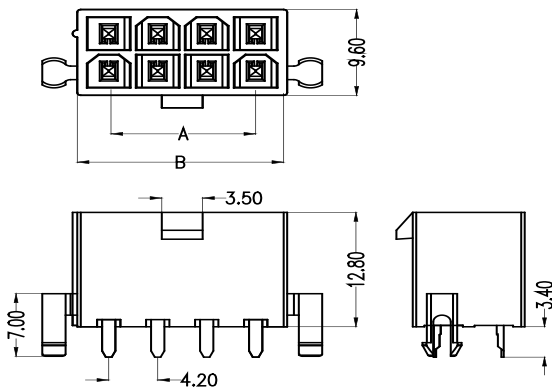
Note: 1. * stands for mass production .

注: 1.*代表可量产

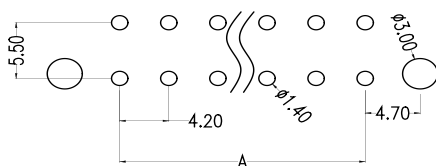
2. X denotes the colour code(B=Black、W=White、T=Natural)

2.X表示颜色代码 (B=黑色、W=白色、T=自然色)

Dimensions 尺寸 (Dual Row 双排)



PCB Layout 印刷电路板布局



Order Information 订购信息

Circuit 芯数	Part number 型号	Dimensions 尺寸 (mm)		Package 包装 Qty/Bag 只/袋装	Remake 可量产状态
		A	B		
2*1	WF420-2WS(H)01X02	-	5.40	600	*
2*2	WF420-2WS(H)02X02	4.20	9.60	500	*
2*3	WF420-2WS(H)03X02	8.40	13.80	200	*
2*4	WF420-2WS(H)04X02	12.60	18.00	200	*
2*5	WF420-2WS(H)05X02	16.80	22.20	100	*
2*6	WF420-2WS(H)06X02	21.00	26.40	100	*
2*7	WF420-2WS(H)07X02	25.20	30.60	100	*
2*8	WF420-2WS(H)08X02	29.40	34.80	100	*
2*9	WF420-2WS(H)09X02	33.60	39.00	100	*
2*10	WF420-2WS(H)10X02	37.80	43.20	100	*
2*11	WF420-2WS(H)11X02	42.00	47.40	100	*
2*12	WF420-2WS(H)12X02	46.20	51.60	50	*

Note: 1. * stands for mass production .

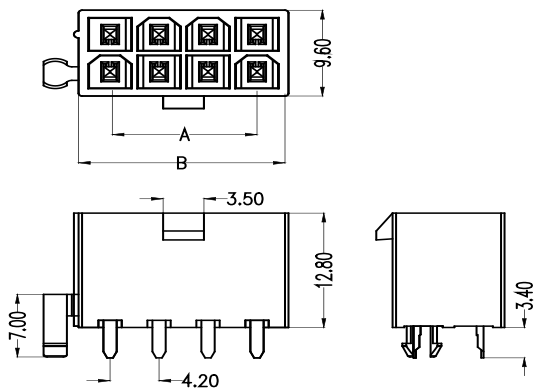
注: 1.*代表可量产

2. X denotes the colour code(B=Black、W=White、T=Natural)

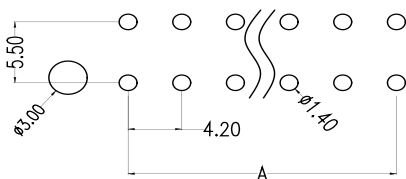
2.X表示颜色代码 (B=黑色、W=白色、T=自然色)

WF4201 Series

Dimensions 尺寸 (Dual Row 双排)



PCB Layout 印刷电路板布局



Order Information 订购信息

Circuit 芯数	Part number 型号	Dimensions 尺寸 (mm)		Package 包装 Qty/Bag 只/袋装	Remake 可量产状态
		A	B		
2*1	WF420-2WS(H)01X03	-	5.40	500	*
2*2	WF420-2WS(H)02X03	4.20	9.60	400	*
2*3	WF420-2WS(H)03X03	8.40	13.80	300	*
2*4	WF420-2WS(H)04X03	12.60	18.00	200	*
2*5	WF420-2WS(H)05X03	16.80	22.20	200	*
2*6	WF420-2WS(H)06X03	21.00	26.40	100	*
2*7	WF420-2WS(H)07X03	25.20	30.60	100	*
2*8	WF420-2WS(H)08X03	29.40	34.80	100	*
2*9	WF420-2WS(H)09X03	33.60	39.00	100	*
2*10	WF420-2WS(H)10X03	37.80	43.20	100	*
2*11	WF420-2WS(H)11X03	42.00	47.40	100	*
2*12	WF420-2WS(H)12X03	46.20	51.60	100	*

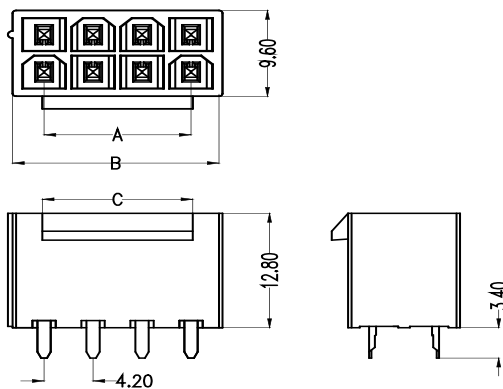
Note: 1. * stands for mass production .

注: 1.*代表可量产

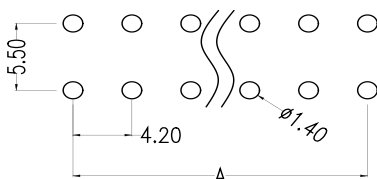
2. X denotes the colour code(B=Black、W=White)

2.X表示颜色代码 (B=黑色、W=白色)

Dimensions 尺寸 (Dual Row 双排)



PCB Layout 印刷电路板布局



Order Information 订购信息

Circuit 芯数	Part number 型号	Dimensions 尺寸 (mm)			Package 包装 Qty/Bag 只/袋装	Remake 可量产状态
		A	B	C		
2*1	WF420-2WS(H)01X04	-	5.40	4.20	900	*
2*2	WF420-2WS(H)02X04	4.20	9.60	4.20	500	*
2*3	WF420-2WS(H)03X04	8.40	13.80	8.70	300	*
2*4	WF420-2WS(H)04X04	12.60	18.00	12.90	200	*
2*5	WF420-2WS(H)05X04	16.80	22.20	17.10	200	*
2*6	WF420-2WS(H)06X04	21.00	26.40	21.30	200	*
2*7	WF420-2WS(H)07X04	25.20	30.60	25.50	100	*
2*8	WF420-2WS(H)08X04	29.40	34.80	29.70	100	*
2*9	WF420-2WS(H)09X04	33.60	39.00	33.90	100	*
2*10	WF420-2WS(H)10X04	37.80	43.20	38.10	100	*
2*11	WF420-2WS(H)11X04	42.00	47.40	42.30	100	*
2*12	WF420-2WS(H)12X04	46.20	51.60	46.50	100	*

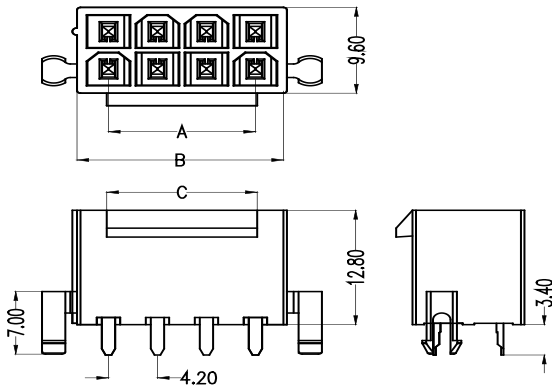
Note: 1. * stands for mass production .

注: 1.*代表可量产

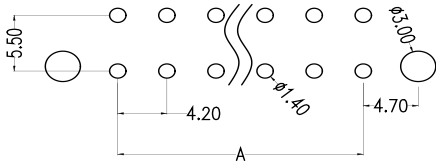
2. X denotes the colour code(B=Black、W=White、T=Natural)

2.X表示颜色代码 (B=黑色、W=白色、T=自然色)

Dimensions 尺寸 (Dual Row 双排)



PCB Layout 印刷电路板布局



Order Information 订购信息

Circuit 芯数	Part number 型号	Dimensions 尺寸 (mm)			Package 包装 Q'ty/Bag 只/袋装	Remake 可量产状态
		A	B	C		
2*1	WF420-2WS(H)01X05	-	5.40	4.20	400	*
2*2	WF420-2WS(H)02X05	4.20	9.60	4.20	300	*
2*3	WF420-2WS(H)03X05	8.40	13.80	8.70	200	*
2*4	WF420-2WS(H)04X05	12.60	18.00	12.90	200	*
2*5	WF420-2WS(H)05X05	16.80	22.20	17.10	100	*
2*6	WF420-2WS(H)06X05	21.00	26.40	21.30	100	*
2*7	WF420-2WS(H)07X05	25.20	30.60	25.50	100	*
2*8	WF420-2WS(H)08X05	29.40	34.80	29.70	100	*
2*9	WF420-2WS(H)09X05	33.60	39.00	33.90	100	*
2*10	WF420-2WS(H)10X05	37.80	43.20	38.10	100	*
2*11	WF420-2WS(H)11X05	42.00	47.40	42.30	100	*
2*12	WF420-2WS(H)12X05	46.20	51.60	46.50	50	*

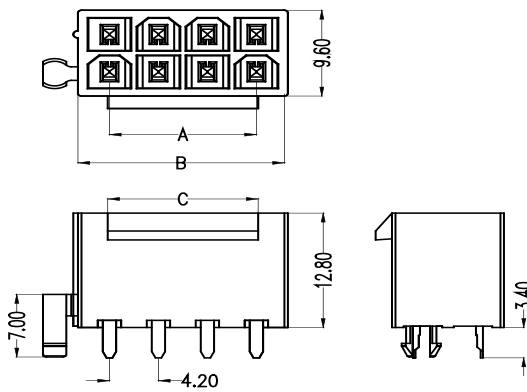
Note: 1. * stands for mass production .

注: 1.*代表可量产

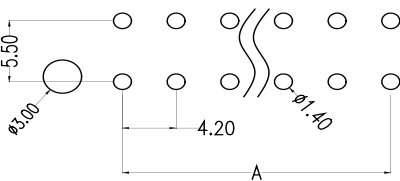
2. X denotes the colour code(B=Black、W=White、T=Natutal)

2.X表示颜色代码 (B=黑色、W=白色、T=自然色)

Dimensions 尺寸 (Dual Row 双排)



PCB Layout 印刷电路板布局



Order Information 订购信息

Circuit 芯数	Part number 型号	Dimensions 尺寸 (mm)			Package 包装 Q'ty/Bag 只/袋装	Remake 可量产状态
		A	B	C		
2*1	WF420-2WS(H)01X05	-	5.40	4.20	500	*
2*2	WF420-2WS(H)02X05	4.20	9.60	4.20	400	*
2*3	WF420-2WS(H)03X05	8.40	13.80	8.70	300	*
2*4	WF420-2WS(H)04X05	12.60	18.00	12.90	200	*
2*5	WF420-2WS(H)05X05	16.80	22.20	17.10	200	*
2*6	WF420-2WS(H)06X05	21.00	26.40	21.30	100	*
2*7	WF420-2WS(H)07X05	25.20	30.60	25.50	100	*
2*8	WF420-2WS(H)08X05	29.40	34.80	29.70	100	*
2*9	WF420-2WS(H)09X05	33.60	39.00	33.90	100	*
2*10	WF420-2WS(H)10X05	37.80	43.20	38.10	100	*
2*11	WF420-2WS(H)11X05	42.00	47.40	42.30	100	*
2*12	WF420-2WS(H)12X05	46.20	51.60	46.50	100	*

Note: 1. * stands for mass production .

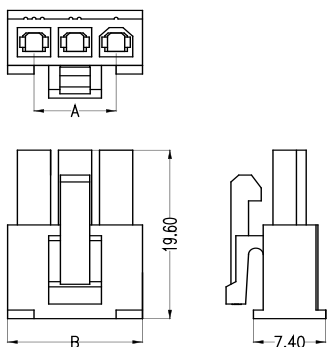
注: 1.*代表可量产

2. X denotes the colour code(B=Black、W=White、T=Natutal)

2.X表示颜色代码 (B=黑色、W=白色、T=自然色)

WF4201 Series

Dimensions 尺寸

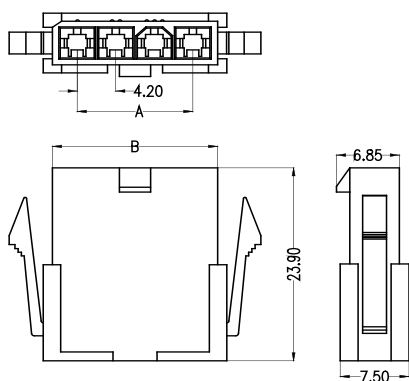


Order Information 订购信息

Circuit 芯数	Part number 型号	Dimensions 尺寸 (mm)		Parkage 包装 Q'ty/Bag 只/ 袋装	Remake 可量产状 态
		A	B		
2	WF4202-1H02X01	4.20	9.60	500	*
3	WF4202-1H03X01	8.40	13.80	500	*
4	WF4202-1H04X01	12.60	18.00	400	*
5	WF4202-1H05X01	16.80	22.20	400	*
6	WF4202-1H06X01	21.00	26.40	400	*

Note: * stands for mass production . 注: *代表可量产

Dimensions 尺寸

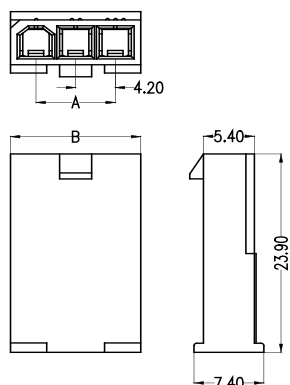


Order Information 订购信息

Circuit 芯数	Part number 型号	Dimensions 尺寸 (mm)		Parkage 包装 Q'ty/Bag 只/ 袋装	Remake 可量产状 态
		A	B		
2	WF4202-1HK02X01	4.20	9.60	500	*
3	WF4202-1HK03X01	8.40	13.80	300	*
4	WF4202-1HK04X01	12.60	18.00	300	*
5	WF4202-1HK05X01	16.80	22.20	200	
6	WF4202-1HK06X01	21.00	26.40	200	

Note: * stands for mass production . 注: *代表可量产

Dimensions 尺寸

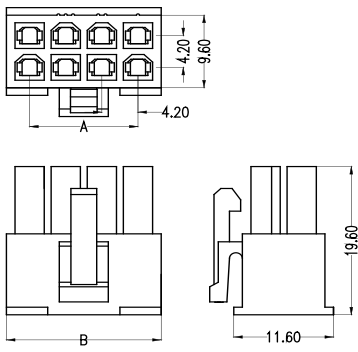


Order Information 订购信息

Circuit 芯数	Part number 型号	Dimensions 尺寸 (mm)		Parkage 包装 Q'ty/Bag 只/ 袋装	Remake 可量产状 态
		A	B		
2	WF4202-1HK02X02	4.20	9.60	500	
3	WF4202-1HK03X02	8.40	13.80	300	
4	WF4202-1HK04X02	12.60	18.00	300	*
5	WF4202-1HK05X02	16.80	22.20	200	
6	WF4202-1HK06X02	21.00	26.40	200	

Note: * stands for mass production . 注: *代表可量产

Dimensions 尺寸

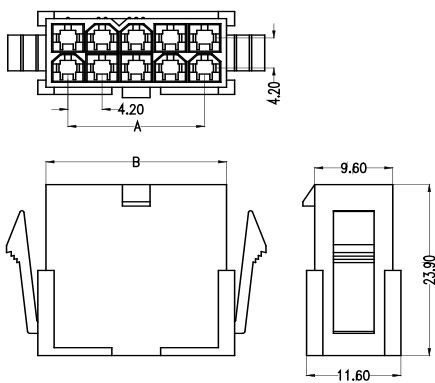


Order Information 订购信息

Circuit 芯数	Part number 型号	Dimensions 尺寸 (mm)		Parkage 包装 Q'ty/Bag 只/ 袋装	Remake 可量产状态
		A	B		
2*1	WF4202-2H01X0X	/	5.40	700	*
2*2	WF4202-2H02X0X	4.20	9.60	400	*
2*3	WF4202-2H03X0X	8.40	13.80	250	*
2*4	WF4202-2H04X0X	12.60	18.00	400	*
2*5	WF4202-2H05X0X	16.80	22.20	140	*
2*6	WF4202-2H06X0X	21.00	26.40	110	*
2*7	WF4202-2H07X0X	25.20	30.60	100	*
2*8	WF4202-2H08X0X	29.40	34.80	80	*
2*9	WF4202-2H09X0X	33.60	39.00	70	*
2*10	WF4202-2H10X0X	37.80	43.20	60	*
2*11	WF4202-2H11X0X	42.00	47.40	50	*
2*12	WF4202-2H12X0X	46.20	51.60	40	*

Note: * stands for mass production . 注: *代表可量产

Dimensions 尺寸



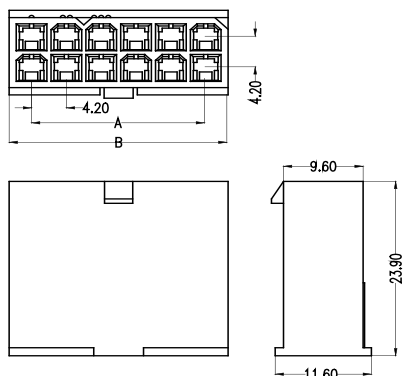
Order Information 订购信息

Circuit 芯数	Part number 型号	Dimensions 尺寸 (mm)		Parkage 包装 Q'ty/Bag 只/ 袋装	Remake 可量产状态
		A	B		
2*1	WF4202-2HK01X01	/	5.40	700	*
2*2	WF4202-2HK02X01	4.20	9.60	400	*
2*3	WF4202-2HK03X01	8.40	13.80	250	*
2*4	WF4202-2HK04X01	12.60	18.00	200	*
2*5	WF4202-2HK05X01	16.80	22.20	160	*
2*6	WF4202-2HK06X01	21.00	26.40	120	*
2*7	WF4202-2HK07X01	25.20	30.60	100	*
2*8	WF4202-2HK08X01	29.40	34.80	90	*
2*9	WF4202-2HK09X01	33.60	39.00	90	*
2*10	WF4202-2HK10X01	37.80	43.20	70	*
2*11	WF4202-2HK11X01	42.00	47.40	70	*
2*12	WF4202-2HK12X01	46.20	51.60	60	*

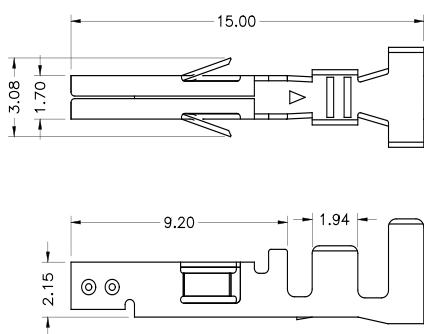
Note: * stands for mass production . 注: *代表可量产

WF4201 Series

Dimensions 尺寸



Adaptor Terminal 适配端子



Order Information 订购信息

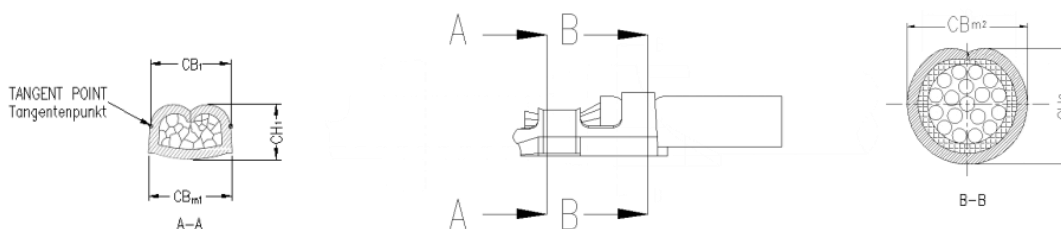
Circuit 芯数	Part number 型号	Dimensions 尺寸 (mm)		Package 包装 Q'ty/Bag 只/袋装	Remake 可量产状态
		A	B		
2*1	WF4202-2HK01X02	/	5.40	500	*
2*2	WF4202-2HK02X02	4.20	9.60	500	*
2*3	WF4202-2HK03X02	8.40	13.80	250	*
2*4	WF4202-2HK04X02	12.60	18.00	250	*
2*5	WF4202-2HK05X02	16.80	22.20	160	*
2*6	WF4202-2HK06X02	21.00	26.40	200	*
2*7	WF4202-2HK07X02	25.20	30.60	160	*
2*8	WF4202-2HK08X02	29.40	34.80	90	*
2*9	WF4202-2HK09X02	33.60	39.00	90	*
2*10	WF4202-2HK10X02	37.80	43.20	100	*
2*11	WF4202-2HK11X02	42.00	47.40	100	*
2*12	WF4202-2HK12X02	46.20	51.60	90	*

Note: * stands for mass production . 注: *代表可量产

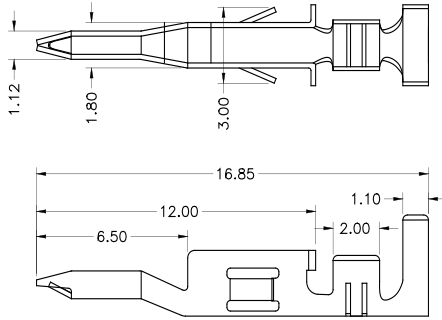
Part number 型号	Suitable wire diameter 适配线径
WF4202- TXXX01	18~24AWG
WF4202- TBXX02	18~20AWG
WF4202- TPXX02	16~20AWG
WF4202- TXXX03	20~24AWG

Terminal Crimping Specification 端子压接规范

型号 Model number	电线类型 Wire type	电线规格 Wire size	线缆 OD (mm) Cable OD (mm)	剥线长度 (mm) Strip length (mm)	导体铆压 (A-A) Conductor crimp			绝缘体铆压 (B-B) Insulation crimp	
					压接宽度CB1 Crimping width CB1±0.03mm	压接高度CBm1 Crimping height CBm1+0.03mm	压接高度CH1 Crimping height CH1±0.03mm	压接宽度CBm2 Crimping width CBm2±0.05mm	压接高度CH2 Crimping height CH2±0.08mm
WF4202-TXXX01	3289	16#AWG	2.40	3.50±0.10	1.95	1.95	1.27	2.40	2.90
	UL1015	18#AWG	2.80	3.50±0.10	1.85	1.85	1.24	2.80	2.80
	UL1015	20#AWG	2.60	3.50±0.10	1.70	1.70	1.21	2.60	2.80
WF4202-TBXX02	UL1015	18#AWG	2.80	3.50±0.10	1.85	1.85	1.24	2.80	2.80
	UL1015	20#AWG	2.60	3.50±0.10	1.70	1.70	1.21	2.60	2.80
WF4202-TPXX02	3289	16#AWG	2.40	3.50±0.10	1.95	1.95	1.27	2.40	2.90
	UL1015	18#AWG	2.80	3.50±0.10	1.85	1.85	1.24	2.80	2.80
	UL1015	20#AWG	2.60	3.50±0.10	1.70	1.70	1.21	2.60	2.80
WF4202-TXXX03	E333364	20#AWG	1.81	3.50±0.10	1.43	1.43	0.95	1.90	1.96
	UL1332	22#AWG	1.42	3.50±0.10	1.43	1.43	0.86	1.86	1.94
	UL1332	24#AWG	1.21	3.50±0.10	1.43	1.43	0.78	1.84	1.97



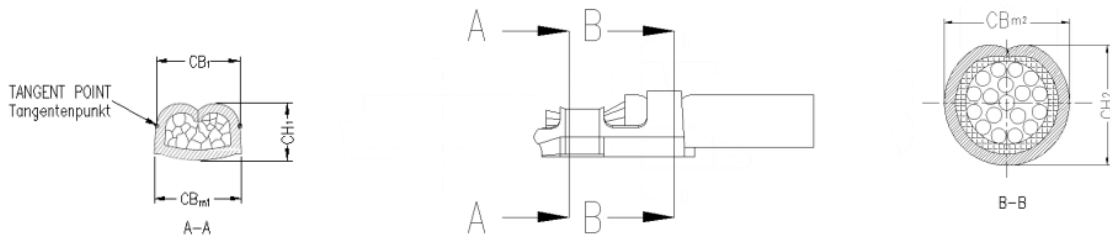
Adaptor Terminal 适配端子



Part number 型号	Suitable wire diameter 适配线径
WF4202-MTXXX01	16~20AWG
WF4202-MTXXX03	20~24AWG

Terminal Crimping Specification 端子压接规范

型号 Model number	电线类型 Wire type	电线规格 Wire size	线缆 OD (mm) Cable OD (mm)	剥线长度 (mm) Strip length (mm)	导体铆压 (A-A) Conductor crimp			绝缘体铆压 (B-B) Insulation crimp	
					压接宽度CB1 Crimping width CB1±0.03mm	压接高度CBm1 Crimping height CBm1+0.03mm	压接高度 Crimping height CH1±0.03mm	压接宽度CBm2 Crimping width CBm2±0.05mm	压接高度CH2 Crimping height CH2±0.08mm
WF4202-MTXXX01	3398	16#AWG	2.40	3.50±0.10	1.86	1.86	1.30	2.40	2.90
	UL1015	18#AWG	2.80	3.50±0.10	1.84	1.84	1.24	2.80	2.80
	UL1015	20#AWG	2.60	3.50±0.10	1.69	1.69	1.15	2.60	2.80
WF4202-MTXXX03	1569	20#AWG	1.80	3.50±0.10	1.40	1.45	0.85	1.90	1.96
	3266	22#AWG	1.60	3.50±0.10	1.40	1.43	0.86	1.86	1.94
	1569	24#AWG	1.40	3.50±0.10	1.40	1.43	0.78	1.84	1.97



Model Numbering 型号命名

WF4202	-	X	XX	XX	(H)	XX	X	X	X
(1)	(2)	(3)	(4)	(5)	(6)	(7)	(8)	(9)	(9)
(1) Series (系列): Wafer 4.20mm Series				(6) Contact Plating (电镀): Blank=Tin G3=10u" Gold、G4=10u" Gold					
(2) Number of rows (行数): 1=Single Row 2=Double Row				(7) Color (颜色): B=Black、T=Natural、W=White					
(3) Terminal type (端子形态): WS=S/T DIP、				(8) Packing (包装): T=Tube、0=PE Bag、A=Tray					
(4) Material (材料): H=PA46、Blank=PA66				(9) Running number (流水码): 1=Type 1、2=Type 2、3=Type 3、4=Type 4、5=Type 5、6=Type 6					
(5) Positions (位数): 02=2P.....06=6P (Single Row)、 2*1=2P.....2*12=24P (Double Row)									

WF4201 Series

WF4202	-	X	H	XX	X	0	X
(1)		(2)	(3)	(4)	(5)	(6)	(7)
(1) Series (系列): Wafer 4.20mm Series				(5) Color(颜色): W=White(UL94-V2)、 B=Black(UL94-V0)、T=White(UL94-V0)			
(2) Number of rows (排数): 1=Single Row、 2=Double Row				(6) Packing(包装): 0=PE Bag			
(3) Product type(产品类型): H=Crimp Type Housing				(7) Running number(流水码): 1=type 1、2=type 2			
(4) Positions(位数): 02=2P.....06=6P (Single Row)、 2*1=2P.....2*12=24P (Double Row)							

WF4202	-	X	HK	XX	B	0	X
(1)		(2)	(3)	(4)	(5)	(6)	(6)
(1) Series (系列): Wafer 4.20mm Series				(5) Color(颜色): W=White(UL94-V2)、 B=Black(UL94-V0)、T=White(UL94-V0)			
(2) Number of rows (排数): 1=Single Row、 2=Double Row				(6) Packing(包装): 0=PE Bag			
(3) Product type(产品类型): HK=Aerial JointsHousing				(7) Running number(流水码): 1=type 1、2=type 2			
(4) Positions(位数): 02=2P.....06=6P (Single Row)、 2*1=2P.....2*12=24P (Double Row)							

Contact Us 联系我们

维峰电子股份有限公司(总部)
WCON ELECTRONICS CO.,LTD(HQ)
地址:广东省东莞市虎门镇大宁文明路15号
Add :No.15,Wenming Road,Danng Community, Humen Town,
Dongguan, Guangdong.523930, China

昆山维康电子有限公司
KUNSHAN WCON ELECTRONICIS CO.,LTD(East of China)
地址:江苏昆山千灯镇汶浦中路169号
Add : No.169, WenPu Middle Road, QianDeng Town, Kunshan
City, Jiangsu Province, China

合肥维峰电子有限公司
HEFEI WCON ELECTRONICIS CO.,LTD
地址:安徽合肥市高新技术开发区绿城科技园E栋2楼
Add : 2F, Building E, Greentown Science Park,High-tech Develop-
ment Zone, Hefei, Anhui,China

维康电子(泰国)有限公司
WCON ELECTRONICS (Thailand) CO.,LTD
地址:泰国巴真武里府西玛铺县华瓦区洛加纳工业园
Add: VG3C+H57, Hua Wa, Si Maha Phot District, Prachin Buri
25140, Thailand

销售联系方式 Contacts Information

国际客户部 International sales department
salesdg01@wcon.com
salesdg05@wcon.com

大客户专线 Major customer dedicated department
华南: salesdg28@wcon.com
华东: salesks@wcon.com

中小客户专线 Public Customer hot line
华南: salesdg10@wcon.com
华东: salesks01@wcon.com

网络销售 Online sales department
salesdg26@wcon.com



Official Website



Product e-catalog



WeChat Public#



TikTok Public#