

HSF

NOTES:

Current Rating: 2.0AMP(All of contacts energized,AT 30°C Rise, 20% Derated)
 Contact Resistance:20mΩ max
 Withstand Voltage:1000V AC
 Insulation Resistance:1000MΩ
 Operation Temperature:-55°C~+125°C
 Durability:500 cycling

Terminal Material: Copper Alloy
 Terminal Plating:(See Ordering Information)
 XXu” Gold On Contact Area,
 100U”Tin Min.on Solder area,
 50U” Nickel Min. Underplating overall.
 Housing Material:
 PBT+30%G.F.(UL94V-0),Gray White
 Ground Strip Material:Copper Alloy

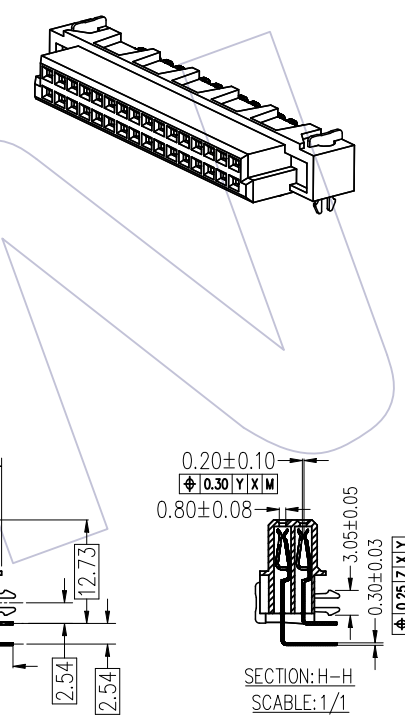
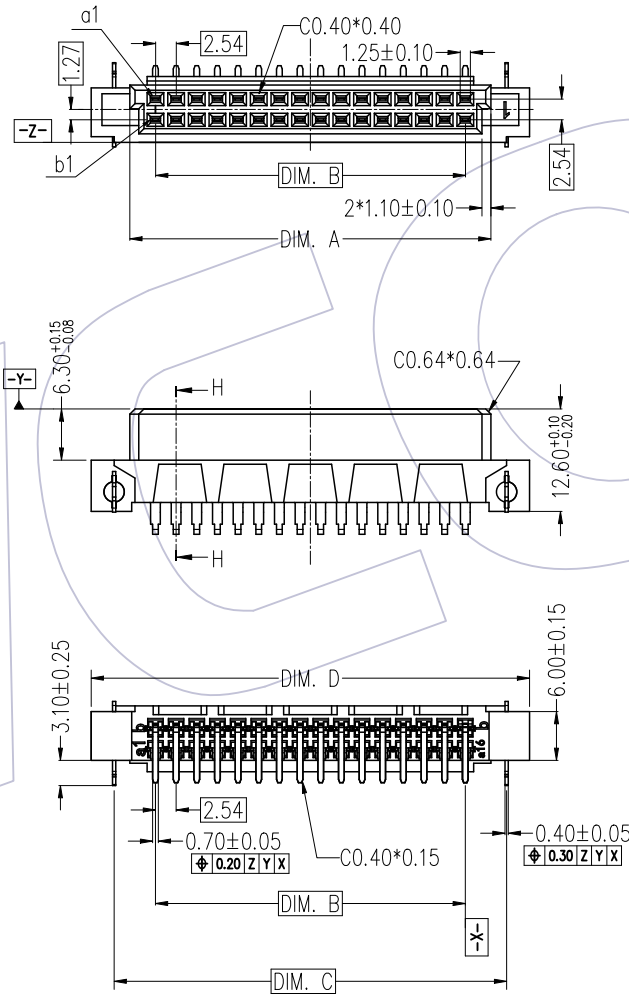
Packing: TRAY

Ordering Information

3412 - 2 XX B F R XX X A 1

Row Code:
 3=Double Row
 No.of Pins Per Row:
 10=10Pin
 16=16Pin
 32=32Pin
 40=40Pin
 Rows with Contacts:
 B=a+b
 Type Code:
 F= Female
 Type Code:
 R=90° DIP Type

DIP Length:
 1:L=2.80
 Packing:
 A=TRAY
 Lock:
 W=W/T Lock
 N=W/O Lock
 Contact Plating:
 S0: Gold Flash/Tin
 S1: 3u” Gold/Tin
 S3: 10u” Gold/Tin
 S4: 15u” Gold/Tin
 S5: 30u” Gold/Tin



Dimensions	DIM. A	DIM. B	DIM. C	DIM. D
PIN NO.				
2*10PIN	29.16	22.86	33.02	38.20
2*16PIN	44.40	38.10	48.26	53.90
2*32PIN	85.04	78.74	88.90	94.00
2*40PIN	105.36	99.06	109.22	114.32

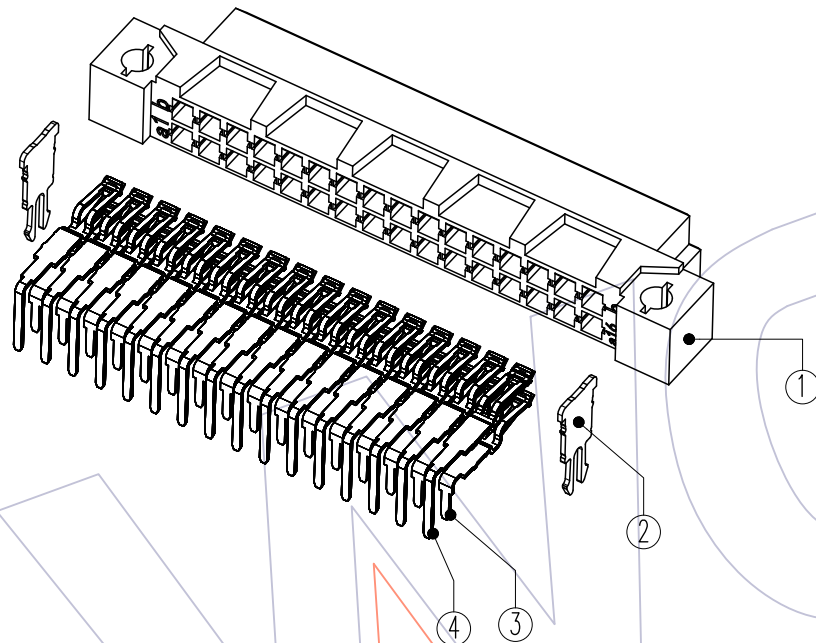
REV	DATE	MODIFICATION DESCRIPTION	CHANGE	OPERATION	DRAW	DATE	SCALE	FIT	PART NO.
A0	2022/07/16	NEW RELEASE	Jason	x.x ±0.40	Jason	2022/07/16	UNIT mm		3412-2XXBFRXXXA1
				x.xx ±0.25	CHECK	DATE	SIZE A4		TITLE: 2.54mm DIN 41612 CONN. 2 Row 90° DIP TYPE FEMALE
				x.xxx ±0.15	APPROVE	DATE	SHEET 1/2		Customer NO.
				Angle ± 3°			PROJ.		
				DIM TOL					

WCON
 Http: www.wcon.com

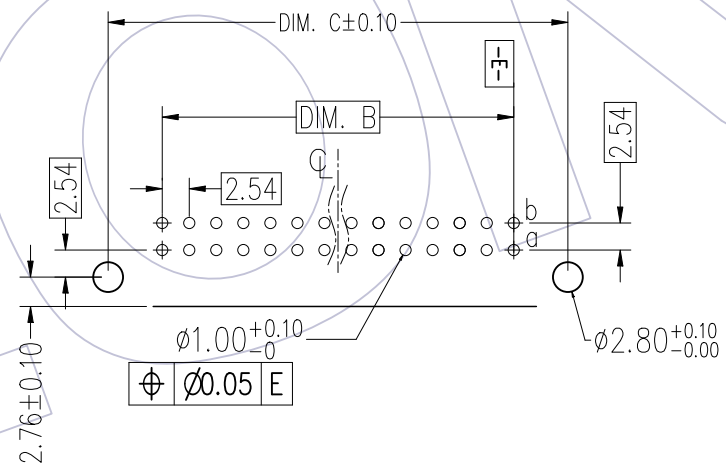
WCON-Dongguan Tel: +86 769 85358920 Fax: +86 769 85358915 E-mail: sales@wcon.com

WCON-Kunshan Tel: +86 512 57468408 Fax: +86 512 57468468 E-mail: salesks@wcon.com

HSF




Recommended P.C.B Layout(Top Side)
(PCB BOARD TOLERANCE±0.05)



BOM LIST:

ITEM	DESCRIPTION	MATERIALS	NO.	REMARK
①	Housing	PBT(UL94V-0)	1	Gray White
②	Ground Strip	Copper Alloy	2	Sn over Ni
③	Terminal 1	Copper Alloy	1/2No.PIN	Au Sn over Ni
④	Terminal 2	Copper Alloy	1/2No.PIN	Au Sn over Ni

				OPERATION		DRAW Jason	DATE 2022/07/16	SCALE UNIT	FIT mm	PART NO. 3412-2XXBFRXXXA1		 Http: www.wcon.com WCON-Dongguan WCON-Kunshan Tel: +86 769 85358920 Tel: +86 512 57468408 Fax: +86 769 85358915 Fax: +86 512 57468468 E-mail: sales@wcon.com E-mail: salesks@wcon.com
				CHECK						CHECK	DATE	
				APPROVE		APPROVE	DATE	PROJ.	Customer NO.			
REV	DATE	MODIFICATION DESCRIPTION		CHANGE								