

# HSF

NOTES:  
 Current Rating: 3.0AMP  
 Contact Resistance: 20mΩ Max  
 Withstand Voltage: 1000V AC/DC  
 Insulation Resistance: 1000MΩ Min  
 Operation Temperature: -40°C to +105°C

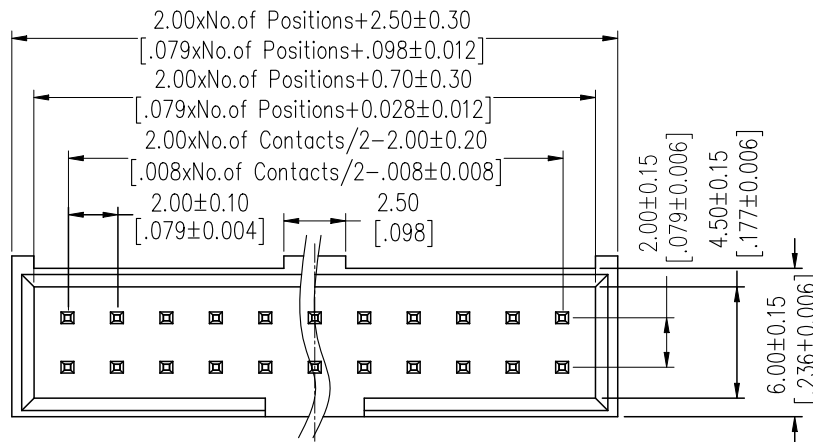
Contact Material: Brass  
 Contact plating: Au Or Sn over Ni  
 Insulator Material: PA9T G.F UL94V-0

## Ordering Information

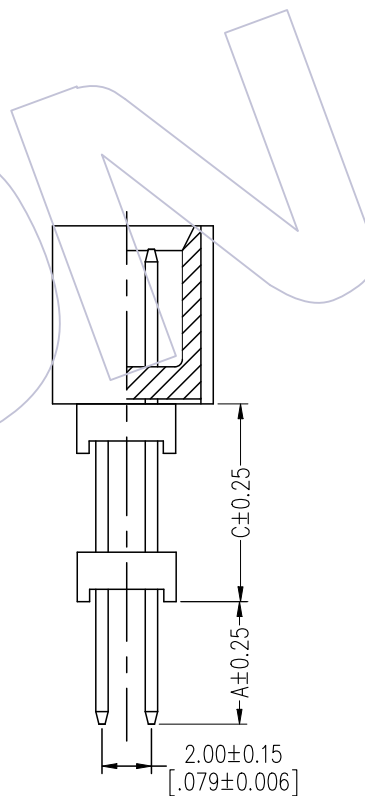
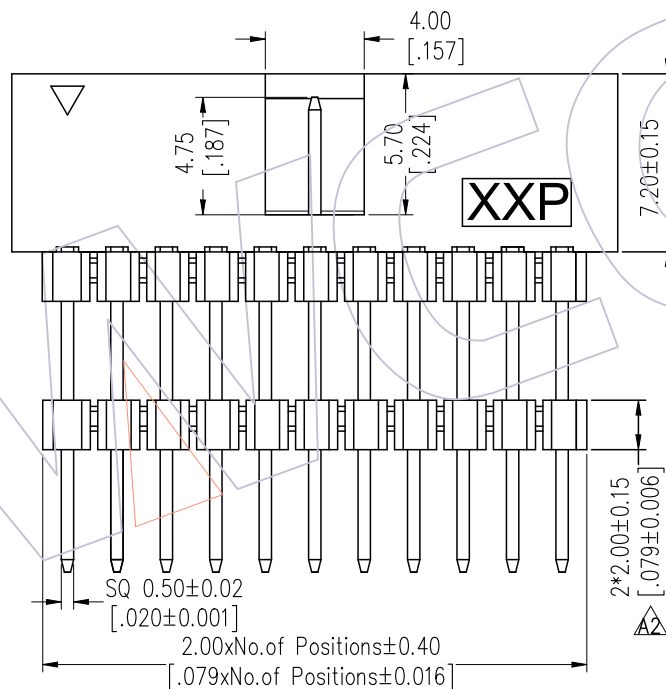
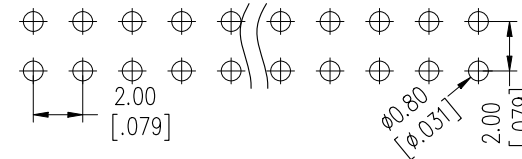
3123-XX S XX B D00 X X

No. of Pins	Contact Plating	Color Insulator	Packing	Series No
10 30	G0=Gold Flash	B=Black	T=Tube	
14 34	G3=10u"Gold			
16 40	G4=15u"Gold			
20 44	G5=30u"Gold			
24 50	S0=Gold Flash/Tin			
26 60	S3=10u"Gold/Tin			
	S4=15u"Gold/Tin			
	S5=30u"Gold/Tin			
	SN=Tin			

Item	Pitch	Mating	DIM(A)	DIM(C)
Standard	2.00	2263	4.00	
Alternate				



Recommended P.C.B Layout(Top Side)  
 (PCB BOARD TOLERANCE±0.05)



REV	DATE	MODIFICATION DESCRIPTION	CHANGE	OPERATION	DRAW	DATE	SCALE	FIT	PART NO.
A2	2020/09/23	Add Housing	DuYing	x.x ±0.40	DuYing	2020/09/23	UNIT	mm	3123-XXSXXBD00XX
A1	2018/06/12	Modify the Material	Ding	x.xx ±0.25	CHECK	DATE	SIZE	A4	TITLE: 2.00 BOX HEADER 180° H=7.2 ADD HOUSING
A0	2012/09/24	NEW	-----	x.xxx ±0.15	APPROVE	DATE	SHEET	1/1	Customer NO.
				Angle ± 3°			PROJ.		
				DIM TOL					

# WCON

Http: www.wcon.com

WCON-Dongguan  
 Tel: +86 769 85358920  
 Fax: +86 769 85358915  
 E-mail: sales@wcon.com

WCON-Kunshan  
 Tel: +86 512 57468408  
 Fax: +86 512 57468468  
 E-mail: salesks@wcon.com