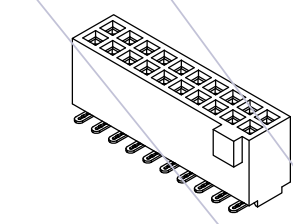


# HSF

**NOTES:**

Current Rating: 3.2AMP Per Pin(2 Pins Powered)  
 Voltage Rating: 250VAC  
 Contact Resistance: 30mΩ Max  
 Withstand Voltage: 750VAC  
 Insulation Resistance: 1000MΩ Min  
 Operation Temperature: -55℃ to +125℃  
 Contact Material: Copper Alloy  
 Contact plating: (See Ordering Information)  
 XXu" Gold On Contact Area,  
 100u" Matte Tin On Solder Area  
 50u" Nickel Underplating Overall  
 Insulator And Cap Material: LCP,G.F,UL94V-0,Black

Recommended Process:  
 Reflow Soldering, Peak Temperature: 260±5℃  
 For 10+/-1s



3D VIEW

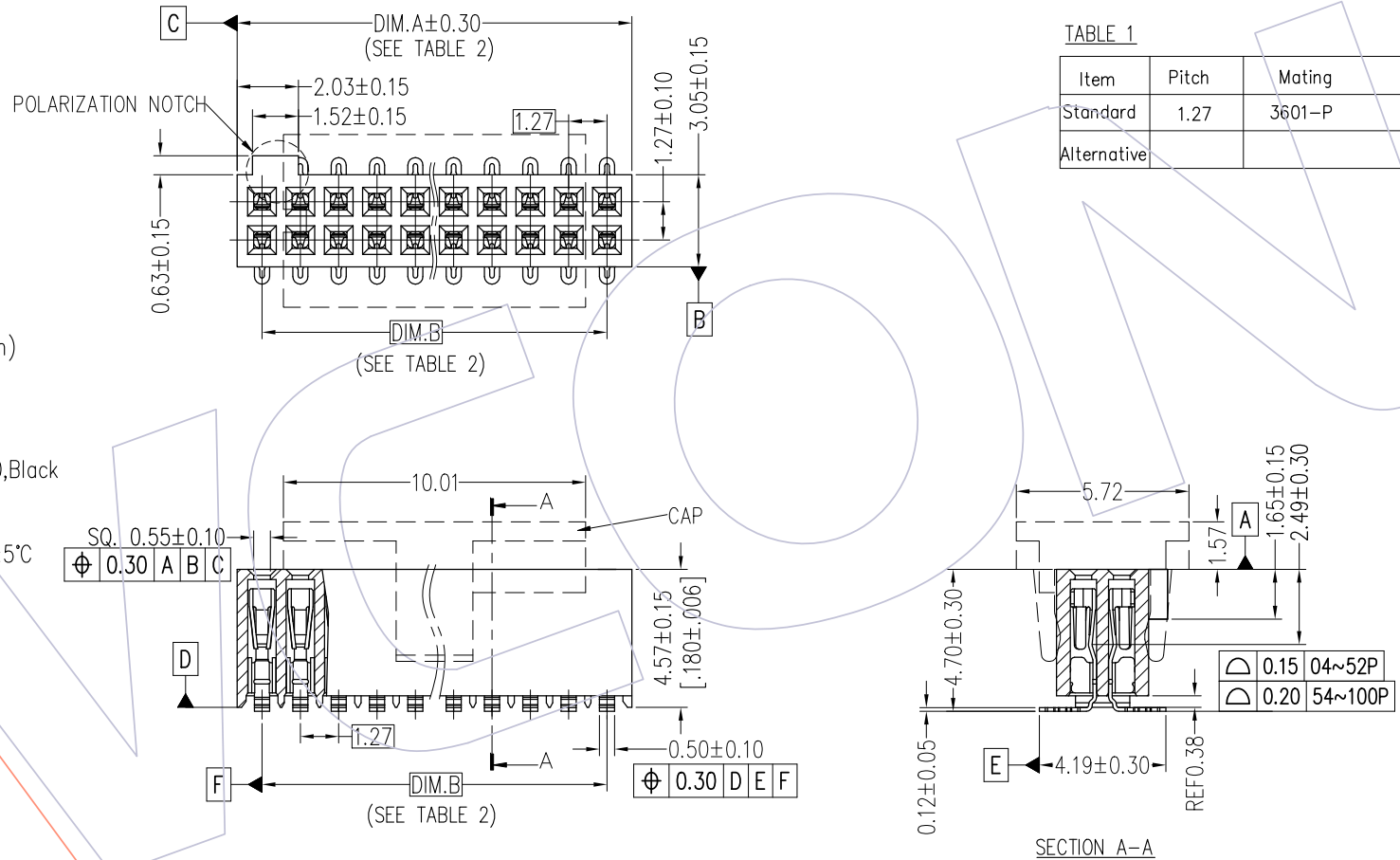


TABLE 1

Item	Pitch	Mating
Standard	1.27	3601-P
Alternative		

FIG. 1  
 SURFACE MOUNT  
 LEAD STYLE: -02

REV	DATE	MODIFICATION DESCRIPTION	CHANGE	OPERATION	DRAW	DATE	SCALE	FIT	PART NO.
AO	2021/10/20	NEW	Ken	x.x ±0.40	Ken	2021/10/20	UNIT	mm	3601-SXXX-AX1MXXX01
				x.xx ±0.25	CHECK	DATE	SIZE	A4	TITLE: 1.27mm BTB Female Header W=3.05, -STD STYLE, SMT
				x.xxx ±0.15	APPROVE	DATE	SHEET	1/6	Customer NO.
				Angle ± 3°			PROJ.		
				DIM TOL					

# WCON

Http: www.wcon.com

WCON-Dongguan Tel: +86 769 85358920 Fax: +86 769 85358915 E-mail: sales@wcon.com	WCON-Kunshan Tel: +86 512 57468408 Fax: +86 512 57468468 E-mail: salesks@wcon.com
---	--

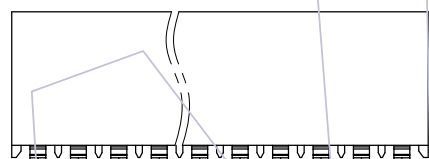
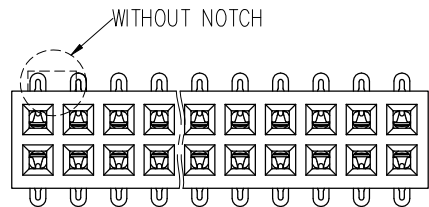
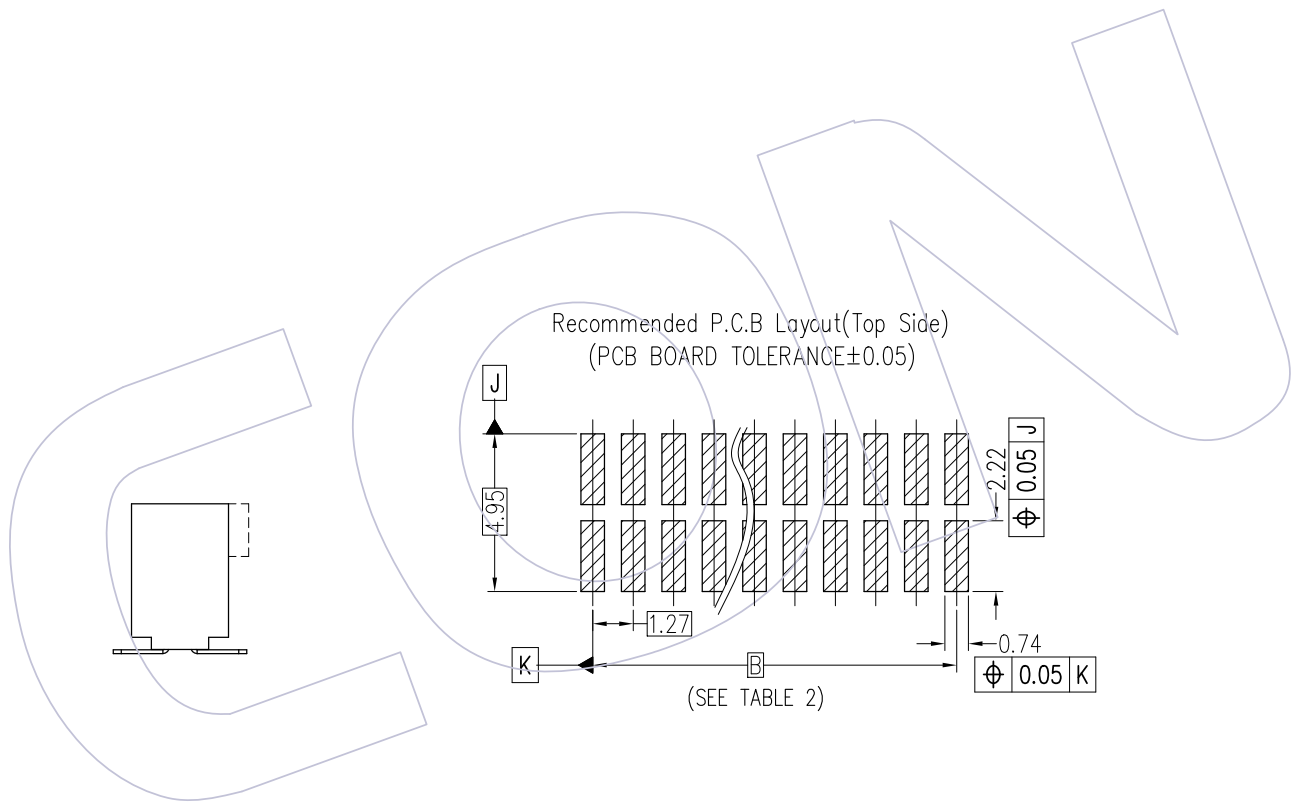



FIG. 2  
WITHOUT NOTCH  
(SAME AS FIG.1, DIFFERENT AS SHOWN)



Recommended P.C.B Layout(Top Side)  
(PCB BOARD TOLERANCE±0.05)

(SEE TABLE 2)

				OPERATION		DRAW	DATE	SCALE	FIT	PART NO.		 Http: www.wcon.com	
				x.x	±0.40	Ken	2021/10/20	UNIT	mm	3601-SXXX-AX1MXXX01			
				x.xx	±0.25	CHECK	DATE	SIZE	A4	TITLE:		WCON-Dongguan	
				x.xxx	±0.15			SHEET	2/6	1.27mm BTB Female Header W=3.05, -STD STYLE, SMT		Tel: +86 769 85358920	
AO	2021/10/20	NEW	Ken	Angle	± 3°	APPROVE	DATE	PROJ.	⌀	Customer NO.		Tel: +86 512 57468408	
REV	DATE	MODIFICATION DESCRIPTION	CHANGE	DIM	TOL							Fax: +86 769 85358915	
												E-mail: sales@wcon.com	
												E-mail: salesks@wcon.com	

**HSF**

# Ordering Information

3601 - S XXX -A X1M XX X 01

No.Of Pins:  
04-100Pin  
(See Table 2)

Housing Character:  
1=With Notch  
2=Without Notch

Packaging :  
R=Tape & Reel+ Cap  
T=Tube  
P=Tube + Cap

Contact Plating:  
W1=3u" Gold/Matte Tin,  
W2=5u" Gold/Matte Tin,  
W3=10u" Gold/Matte Tin,  
W4=15u" Gold/Matte Tin,  
W5=30u" Gold/Matte Tin,

TABLE 2:

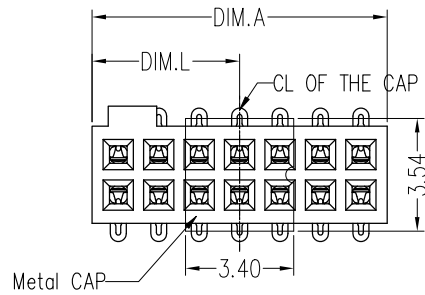
PIN No.	Part Number	DIM.A	DIM.B
4(2*2P)	3601-S004-AX1MXXX01	2.92	1.27
6(2*3P)	3601-S006-AX1MXXX01	4.19	2.54
8(2*4P)	3601-S008-AX1MXXX01	5.46	3.81
10(2*5P)	3601-S010-AX1MXXX01	6.73	5.08
12(2*6P)	3601-S012-AX1MXXX01	8.00	6.35
14(2*7P)	3601-S014-AX1MXXX01	9.27	7.62
16(2*8P)	3601-S016-AX1MXXX01	10.54	8.89
20(2*10P)	3601-S020-AX1MXXX01	13.08	11.43
30(2*15P)	3601-S030-AX1MXXX01	19.43	17.78
40(2*20P)	3601-S040-AX1MXXX01	25.78	24.13
50(2*25P)	3601-S050-AX1MXXX01	32.13	30.48
60(2*30P)	3601-S060-AX1MXXX01	38.48	36.83
70(2*35P)	3601-S070-AX1MXXX01	44.83	43.18
80(2*40P)	3601-S080-AX1MXXX01	51.18	49.53
90(2*45P)	3601-S090-AX1MXXX01	57.53	55.88
100(2*50P)	3601-S100-AX1MXXX01	63.88	62.23

REV	DATE	MODIFICATION DESCRIPTION	CHANGE	OPERATION		DRAW Ken	DATE 2021/10/20	SCALE UNIT	FIT mm	PART NO. 3601-SXXX-AX1MXXX01
				x.x	±0.40					
				x.xx	±0.25	CHECK	DATE	SIZE	A4	TITLE: 1.27mm BTB Female Header W=3.05, -STD STYLE, SMT
AO	2021/10/20	NEW	Ken	x.xxx	±0.15	APPROVE	DATE	SHEET	3/6	Customer NO.
				Angle DIM	± 3' TOL			PROJ.		

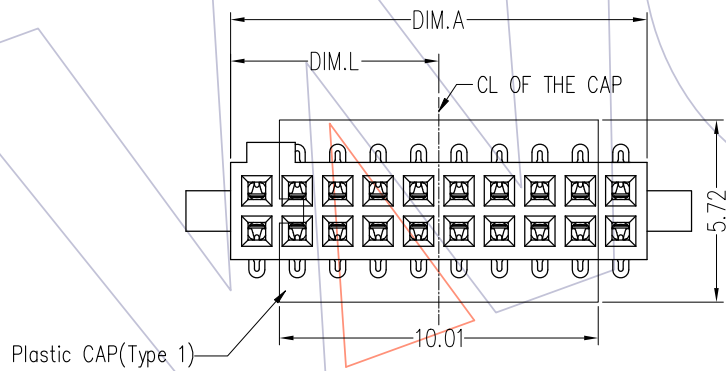
**WCON**

Http: www.wcon.com


WCON-Dongguan Tel: +86 769 85358920 Fax: +86 769 85358915 E-mail: sales@wcon.com	WCON-Kunshan Tel: +86 512 57468408 Fax: +86 512 57468468 E-mail: salesks@wcon.com
---	--



Housing Character	适用PIN数	夹持位置DIM.L
Without Notch	2*2P~2*7P	DIM.L=1/2*DIM.A
With Notch	2*5P	DIM.L=3.73
	2*6P~2*7P	DIM.L=1/2*DIM.A



Housing Character	适用PIN数	夹持位置DIM.L
Without Notch	2*8P~2*50P	DIM.L=1/2*DIM.A
With Notch		

				OPERATION	DRAW	DATE	SCALE	FIT	PART NO.	 <a href="http://www.wcon.com">Http: www.wcon.com</a> WCON-Dongguan      WCON-Kunshan Tel: +86 769 85358920      Tel: +86 512 57468408 Fax: +86 769 85358915      Fax: +86 512 57468468 E-mail: sales@wcon.com      E-mail: salesks@wcon.com
				x.x ±0.40	Ken	2021/10/20	UNIT	mm	3601-SXXX-AX1MXXX01	
				x.xx ±0.25	CHECK	DATE	SIZE	A4	TITLE:	
AO	2021/10/20	NEW	Ken	x.xxx ±0.15	APPROVE	DATE	SHEET	4/6	1.27mm BTB Female Header W=3.05, -STD STYLE, SMT	
REV	DATE	MODIFICATION DESCRIPTION	CHANGE	Angle ± 3°			PROJ.	Customer NO.		
				DIM TOL						

# HSF

TABLE 3:

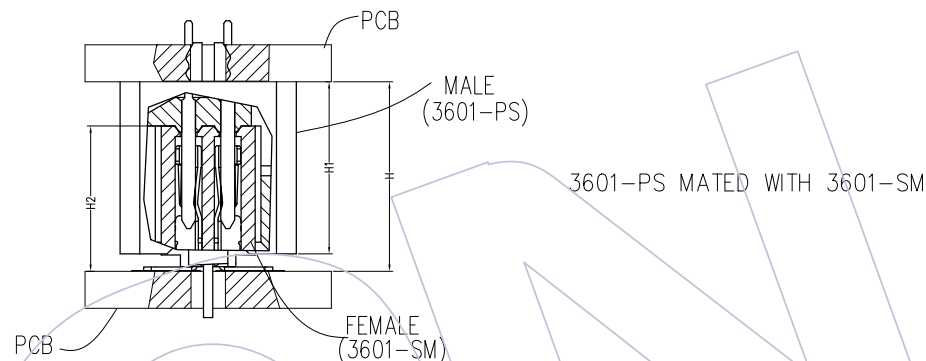
	ASS'Y HIGH(H)		MALE	FEMALE	WIPE			
	3601-SM LEAD STYLE				H1	H2	FULLY MATED	MIN @ H MAX
	-02							
	FULLY MATED	MAX						
3601-PS LEAD STYLE	-01	6.15	6.60	5.59	4.83	0.84	0.38	
	-03	6.15	6.60	5.59	4.83	0.84	0.38	
	-11	7.93	8.31	7.37	4.83	0.84	0.38	
	-13	7.93	8.31	7.37	4.83	0.84	0.38	
	-21	9.70	10.15	9.14	4.83	0.84	0.38	
	-23	9.70	10.15	9.14	4.83	0.84	0.38	
	-31	11.61	12.06	11.05	4.83	0.84	0.38	

TABLE 4:

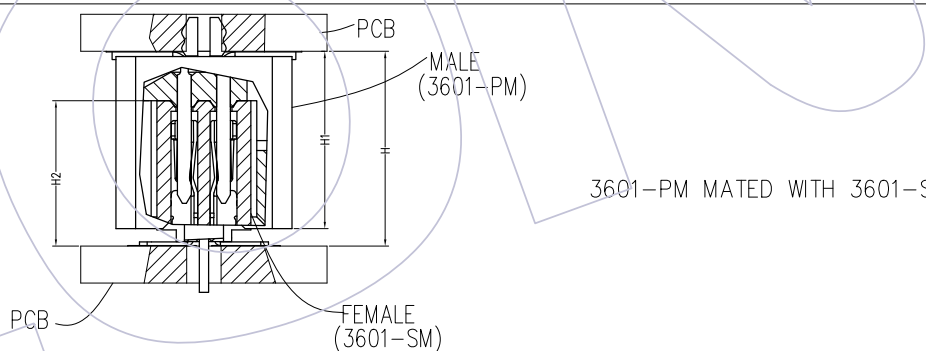
	ASS'Y HIGH(H)		MALE	FEMALE	WIPE			
	3601-SM LEAD STYLE				H1	H2	FULLY MATED	MIN @ H MAX
	-02							
	FULLY MATED	MAX						
3601-PM LEAD STYLE	-02	6.30	6.76	5.74	4.83	0.84	0.38	
	-12	8.08	8.54	7.52	4.83	0.84	0.38	
	-22	9.86	10.32	9.30	4.83	0.84	0.38	
	-32	11.76	12.22	11.20	4.83	0.84	0.38	

TABLE 5:

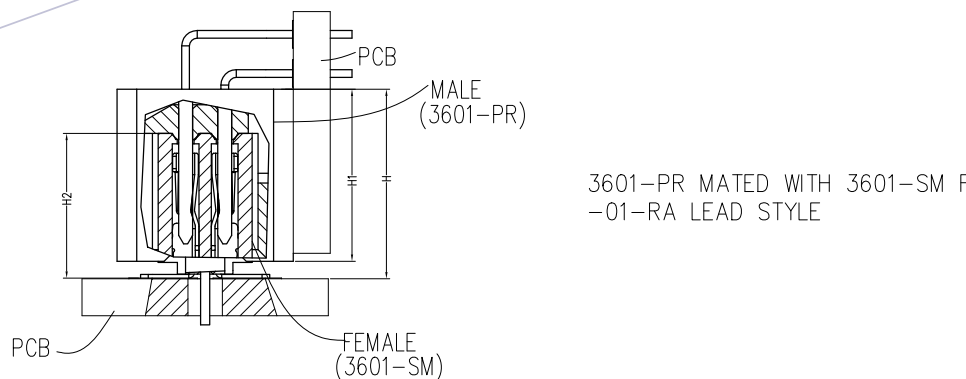
	ASS'Y HIGH(H)		MALE	FEMALE	WIPE			
	3601-SM LEAD STYLE				H1	H2	FULLY MATED	MIN @ H MAX
	-02							
	FULLY MATED	MAX						
3601-PR LEAD STYLE	-01-RA	6.15	6.60	5.59	4.83	0.84	0.38	
	-01-RE1	6.13	6.60	6.10	4.83	0.84	0.38	
	-01-RE2	6.13	6.60	6.10	4.83	0.84	0.38	



3601-PS MATED WITH 3601-SM



3601-PM MATED WITH 3601-SM



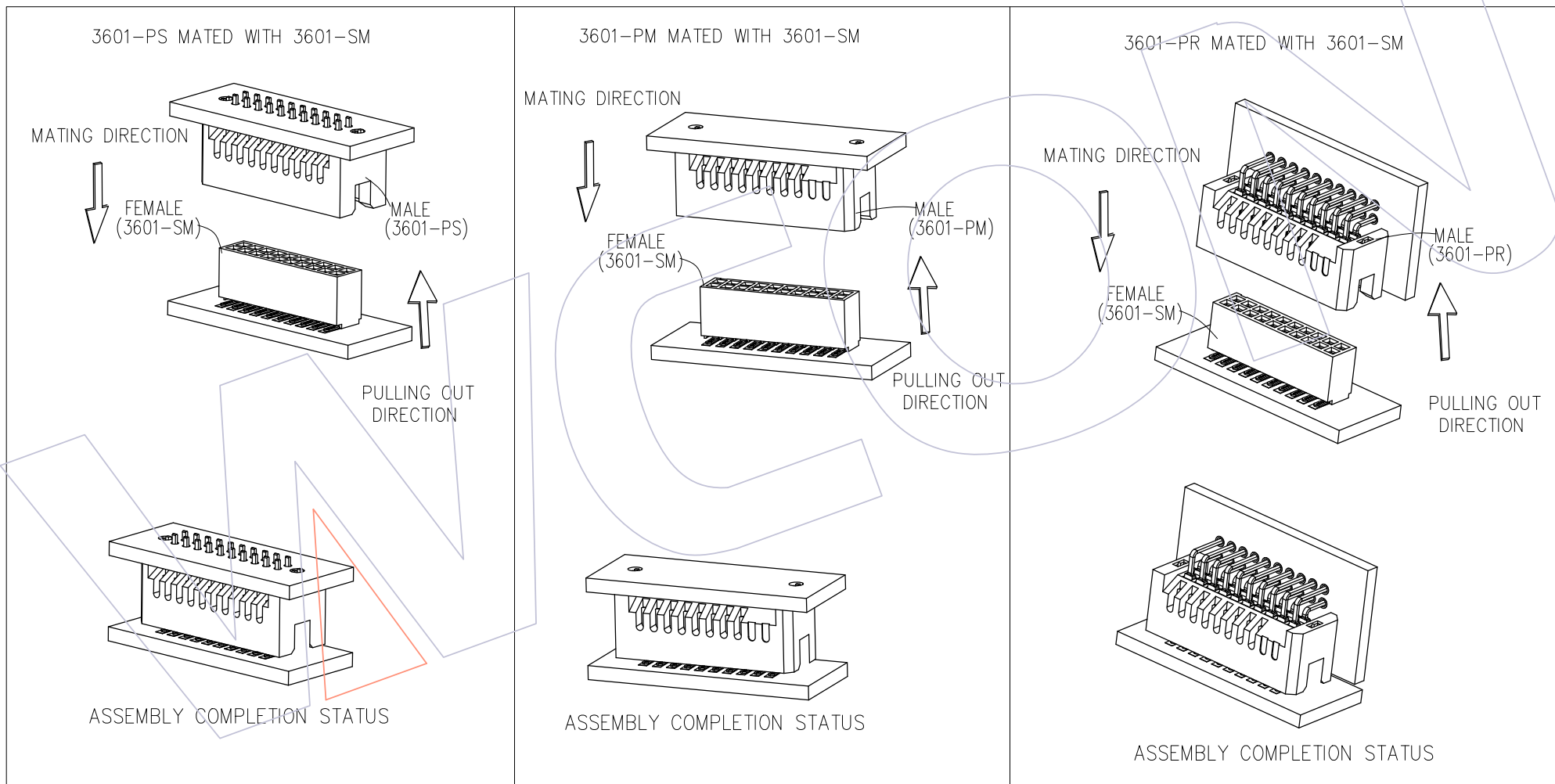
3601-PR MATED WITH 3601-SM FOR -01-RA LEAD STYLE


REV	DATE	MODIFICATION DESCRIPTION	CHANGE	OPERATION		DRAW Ken	DATE 2021/10/20	SCALE UNIT	FIT mm	PART NO. 3601-SXXX-AX1MXXX01
				x.x	±0.40					
				x.xx	±0.25	CHECK	DATE	SIZE	A4	TITLE: 1.27mm BTB Female Header W=3.05, -STD STYLE, SMT
				x.xxx	±0.15	APPROVE	DATE	SHEET	5/6	Customer NO.
				Angle DIM	± 3' TOL			PROJ.		

## WCON

Http: www.wcon.com

WCON-Dongguan Tel: +86 769 85358920 Fax: +86 769 85358915 E-mail: sales@wcon.com	WCON-Kunshan Tel: +86 512 57468408 Fax: +86 512 57468468 E-mail: salesks@wcon.com
---	--



				OPERATION	DRAW	DATE	SCALE	FIT	PART NO.	 <a href="http://www.wcon.com">Http: www.wcon.com</a>
				x.x ±0.40	Ken	2021/10/20	UNIT	mm	3601-SXXX-AX1MXXX01	
				x.xx ±0.25	CHECK	DATE	SIZE	A4	TITLE:	
				x.xxx ±0.15	APPROVE	DATE	SHEET	6/6	1.27mm BTB Female Header W=3.05, -STD STYLE, SMT	
AO	2021/10/20	NEW	Ken	Angle ± 3'			PROJ.	⌀	Customer NO.	WCON-Dongguan Tel: +86 769 85358920 Fax: +86 769 85358915 E-mail: sales@wcon.com
REV	DATE	MODIFICATION DESCRIPTION	CHANGE	DIM TOL						WCON-Kunshan Tel: +86 512 57468408 Fax: +86 512 57468468 E-mail: salesks@wcon.com