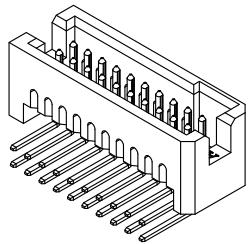


HSF

NOTES:
 Current Rating: 3.2AMP Per
 Pin(2 Pins Powered)
 Voltage Rating: 250VAC
 Contact Resistance: 30mΩ Max
 Withstand Voltage: 750V AC
 Insulation Resistance: 1000MΩ Min
 Operation Temperature: -55℃ to +125℃

Contact Material: Copper Alloy
 Contact plating:
 xxu" Gold On Contact Area, (See Ordering Information)
 100u" Matte Tin On Solder Area
 50u" Nickel Underplating Overall
 Insulator And Cap Material: LCP,G.F,UL94V-0,Black

Recommended Process:
 Wave Soldering, Peak Temperature: 260±5℃
 For 5+/-1s



3D VIEW

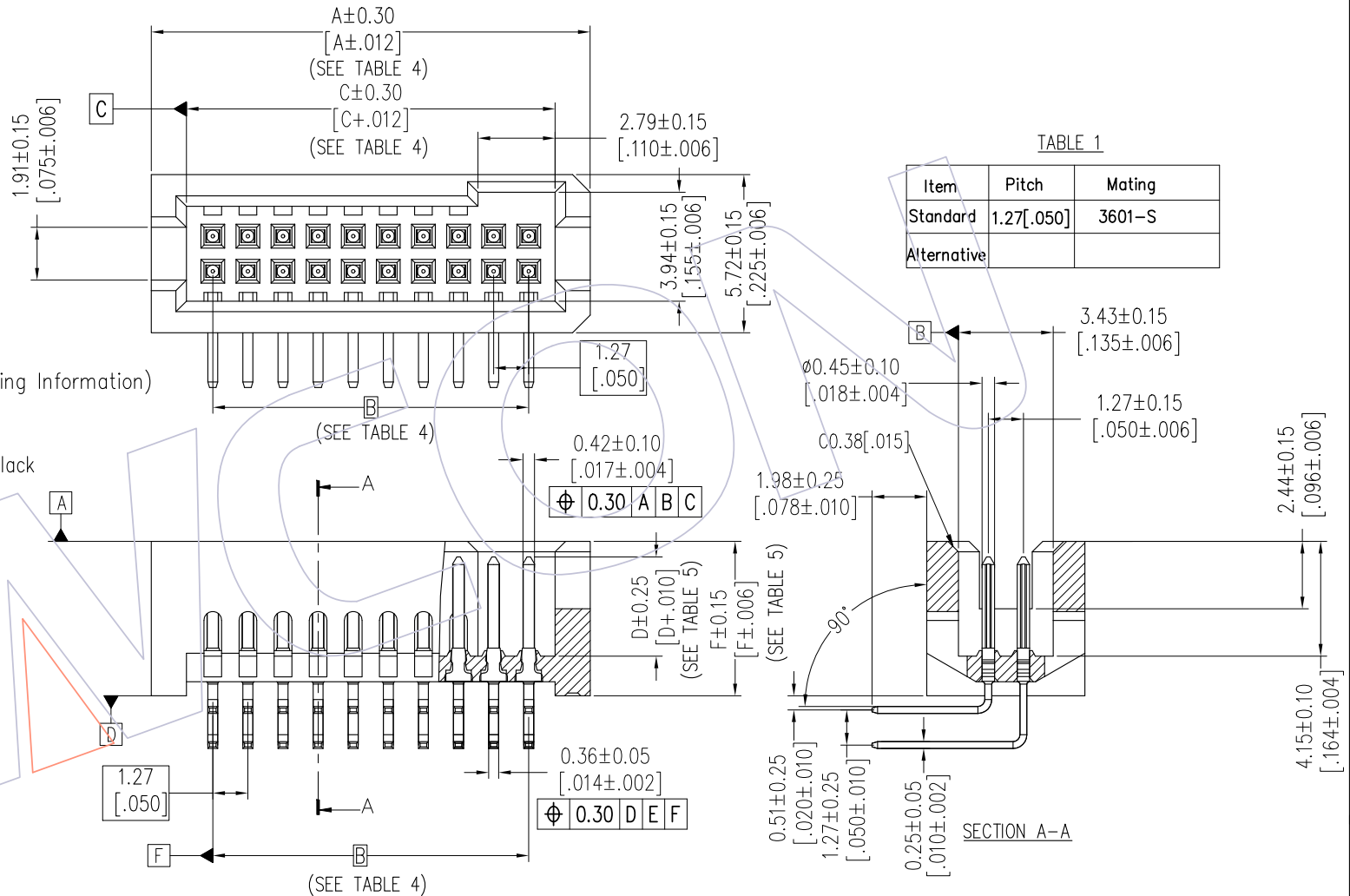


TABLE 1

Item	Pitch	Mating
Standard	1.27[.050]	3601-S
Alternative		

FIG. 1
 RIGHT ANGLE
 LEAD STYLE: SEE TABLE 5

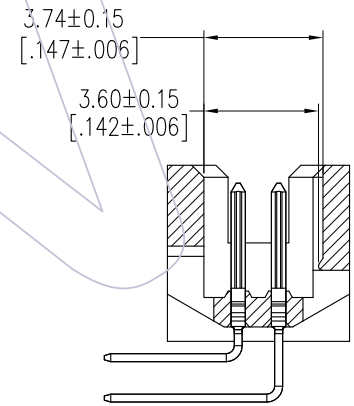
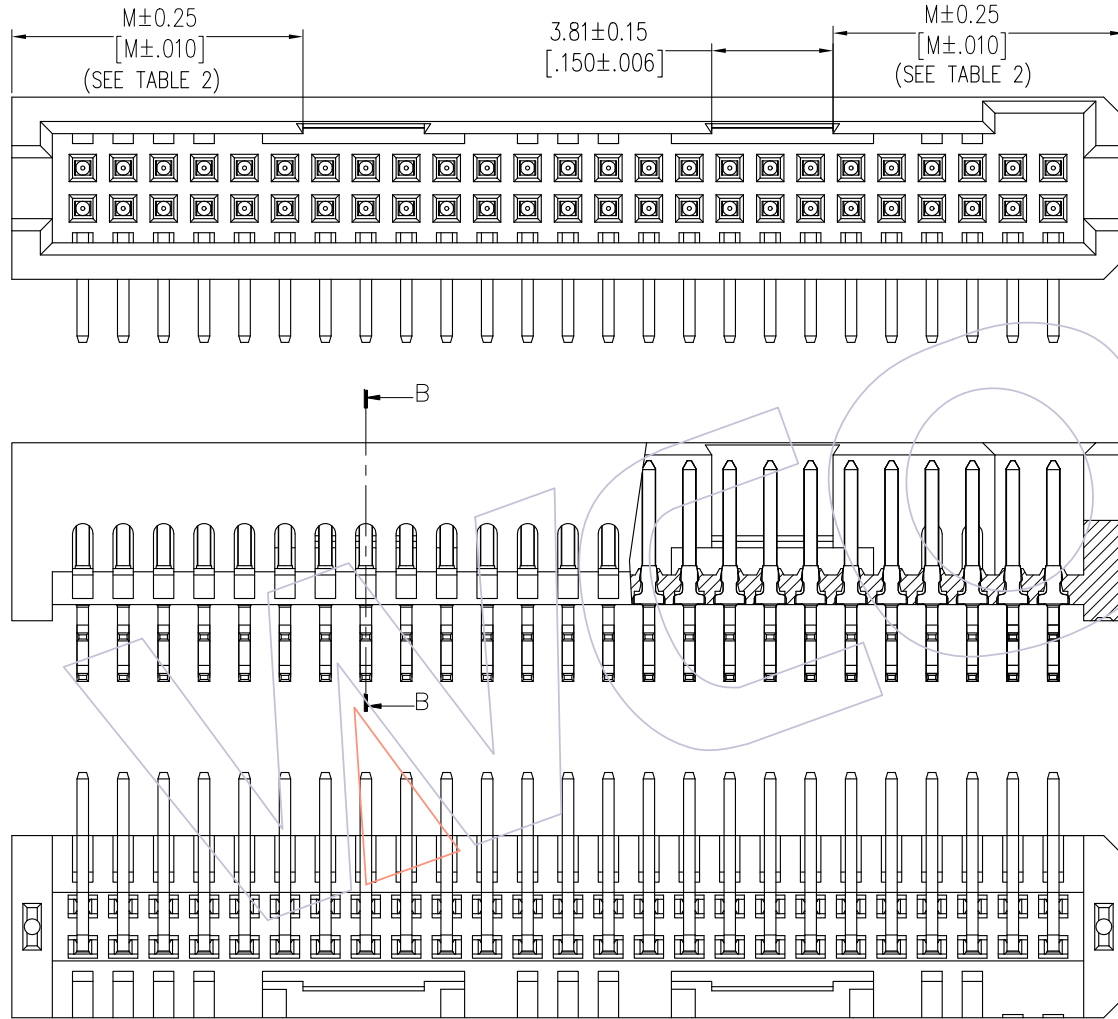
REV	DATE	MODIFICATION DESCRIPTION	CHANGE	OPERATION	DRAW	DATE	SCALE	FIT	PART NO.
A1	2021/07/22	ADD THE PIN NUMBLE DESCRIPTION IN TABLE 3	YE XIAOBING	x.x ±0.40	YE XIAOBING	2021/07/22	UNIT mm		3601-PXXX-AX1RXXX01
AO	2020/12/05	NEW	Orwell	x.xx ±0.25	CHECK	DATE	SIZE A4		TITLE: 1.27mm BTB Male Header
				x.xxx ±0.15			SHEET 1/7		W=5.72, -STD STYLE, 90° DIP
				Angle ± 3°	APPROVE	DATE	PROJ.		Customer NO.
				DIM TOL					

WCON
 Http: www.wcon.com

WCON-Dongguan
 Tel: +86 769 85358920
 Fax: +86 769 85358915
 E-mail: sales@wcon.com

WCON-Kunshan
 Tel: +86 512 57468408
 Fax: +86 512 57468468
 E-mail: salesks@wcon.com

HSF



SECTION B-B

TABLE 2

NO. OF POS.	Dim.M
EVEN(EXCEPT 08)	7.87[.310]
ODD(EXCEPT 05, 07)	9.14[.360]
05, 07, 08	2.87[.113]

FIG. 2
HOUSING WITH LOCKING
POSITION 25 PER ROW
(SAME AS FIG.1, DIFFERENT AS SHOWN)

REV	DATE	MODIFICATION DESCRIPTION	CHANGE	OPERATION	DRAW	DATE	SCALE	FIT	PART NO.
A1	2021/07/22	ADD THE PIN NUMBLE DESCRIPTION IN TABLE 3	YE XIAOBING	x.x ±0.40	YE XIAOBING	2021/07/22	UNIT	mm	3601-PXXX-AX1RXXX01
AO	2020/12/05	NEW	Orwell	x.xx ±0.25	CHECK	DATE	SIZE	A4	TITLE: 1.27mm BTB Male Header W=5.72, -STD STYLE, 90° DIP
				x.xxx ±0.15			SHEET	2/7	Customer NO.
				Angle ± 3°	APPROVE	DATE	PROJ.		
				DIM TOL					

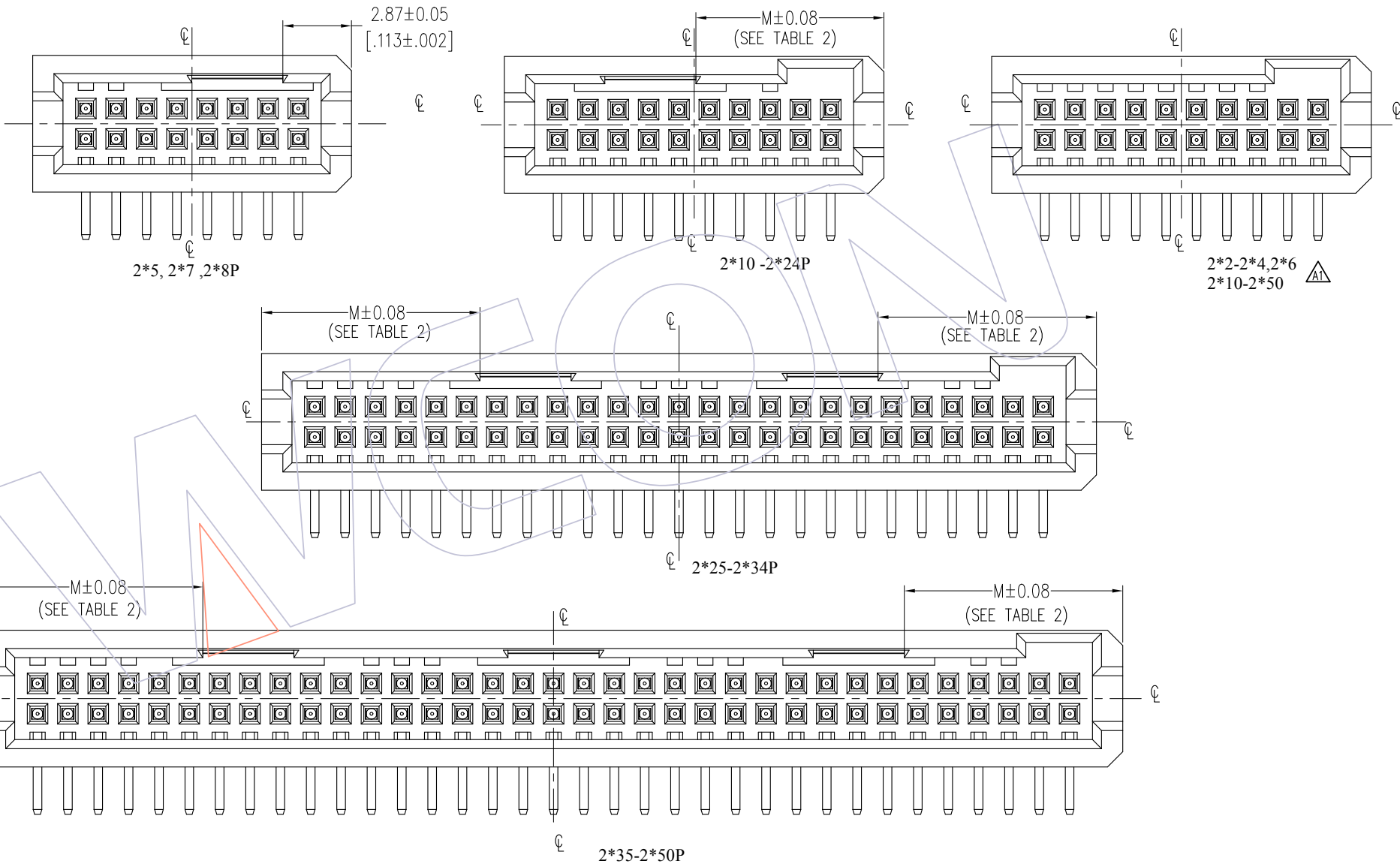
WCON

Http: www.wcon.com

WCON-Dongguan
Tel: +86 769 85358920
Fax: +86 769 85358915
E-mail: sales@wcon.com

WCON-Kunshan
Tel: +86 512 57468408
Fax: +86 512 57468468
E-mail: salesks@wcon.com

HSF



REV	DATE	MODIFICATION DESCRIPTION	CHANGE	OPERATION		DRAW	DATE	SCALE	FIT	PART NO.
				x.x	±0.40					
A1	2021/07/22	ADD THE PIN NUMBLE DESCRIPTION IN TABLE 3	YE XIAOBING	x.xx	±0.25	CHECK	2021/07/22	UNIT	mm	3601-PXXX-AX1RXXX01
AO	2020/12/05	NEW	Orwell	x.xxx	±0.15		DATE	SIZE	A4	TITLE: 1.27mm BTB Male Header W=5.72, -STD STYLE, 90° DIP
				Angle	± 3°	APPROVE	DATE	SHEET	3/7	Customer NO.
				DIM	TOL			PROJ.		

WCON

Http: www.wcon.com

WCON-Dongguan Tel: +86 769 85358920 Fax: +86 769 85358915 E-mail: sales@wcon.com	WCON-Kunshan Tel: +86 512 57468408 Fax: +86 512 57468468 E-mail: salesks@wcon.com
---	--

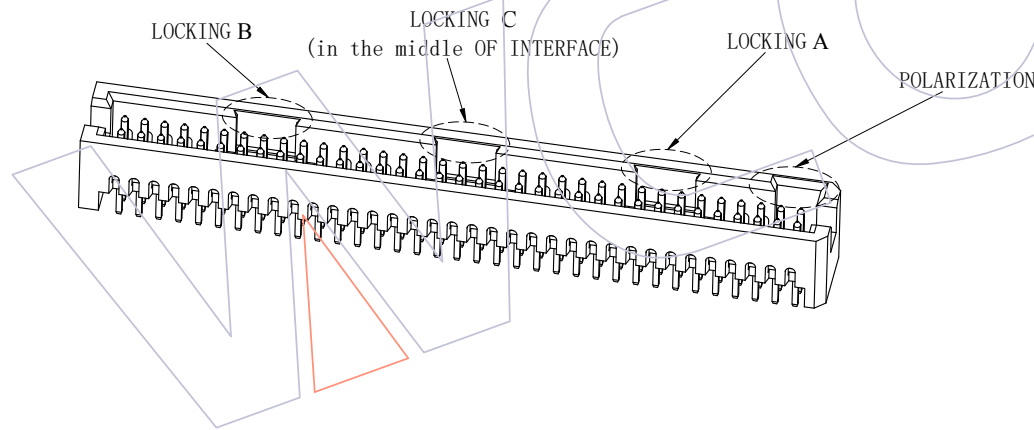
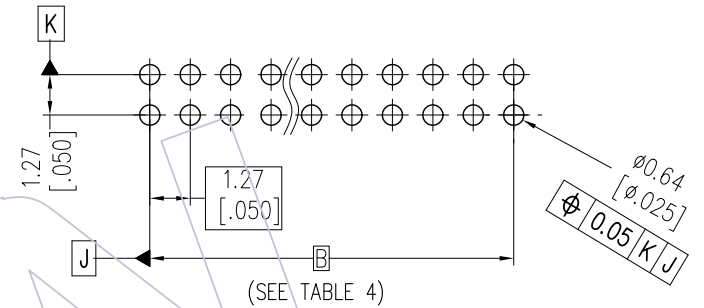
HSF


TABLE 3

No.	Pin Number (Per Row)	POLARIZATION	BUMP LOCKING A	BUMP LOCKING B	BUMP LOCKING C
3	2*5,2*7,2*8	NO	YES	NO	NO
2	2*10-2*24	YES	YES	NO	NO
2	2*25-2*34	YES	YES	YES	NO
2	2*35-2*50	YES	YES	YES	YES
1	2*10-2*50	YES	NO	NO	NO
1	2*2-2*4,2*6	YES	NO	NO	NO

△A1

Recommended P.C.B Layout(Top Side)
(PCB BOARD TOLERANCE±0.05)



REV	DATE	MODIFICATION DESCRIPTION	CHANGE	OPERATION	DRAW	DATE	SCALE	FIT	PART NO.	 Http: www.wcon.com
A1	2021/07/22	ADD THE PIN NUMBLE DESCRIPTION IN TABLE 3	YE XIAOBING	x.x ±0.40	YE XIAOBING	2021/07/22	UNIT	mm	3601-PXXX-AX1RXXX01	
AO	2020/12/05	NEW	Orwell	x.xx ±0.25	CHECK	DATE	SIZE	A4	TITLE: 1.27mm BTB Male Header	WCON-Kunshan Tel: +86 512 57468408 Fax: +86 512 57468468 E-mail: salesks@wcon.com
				x.xxx ±0.15			SHEET	4/7	W=5.72, -STD STYLE, 90° DIP	
				Angle ± 3°	APPROVE	DATE	PROJ.	Customer NO.		
				DIM TOL						

HSF

TABLE 6:

3601-PR LEAD STYLE	-01-RA	ASS'Y HIGH(H)		MALE	FEMALE	WIPE	
		3601-SS LEAD STYLE				FULLY MATED	MIN @ H MAX
		-01, -03		H1	H2		
		FULLY MATED	MAX				
		6.02[.237]	6.48[.255]	5.59[.220]	4.57[.180]	0.84[.033]	0.38[.015]

3601-PR MATED WITH 3601-SS FOR
-01-RA LEAD STYLE

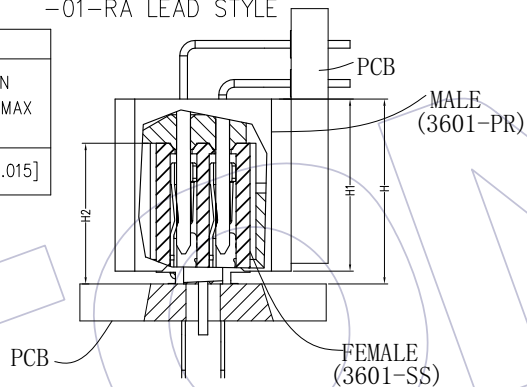
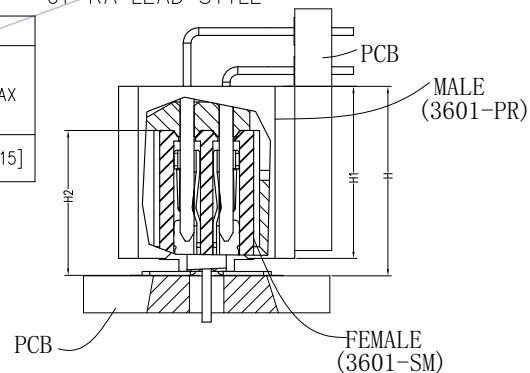


TABLE 7:

3601-PR LEAD STYLE	-01-RA	ASS'Y HIGH(H)		MALE	FEMALE	WIPE	
		3601-SM LEAD STYLE				FULLY MATED	MIN @ H MAX
		-02		H1	H2		
		FULLY MATED	MAX				
		6.15[.242]	6.60[.260]	5.59[.220]	4.83[.190]	0.84[.033]	0.38[.015]

3601-PR MATED WITH 3601-SM FOR
-01-RA LEAD STYLE



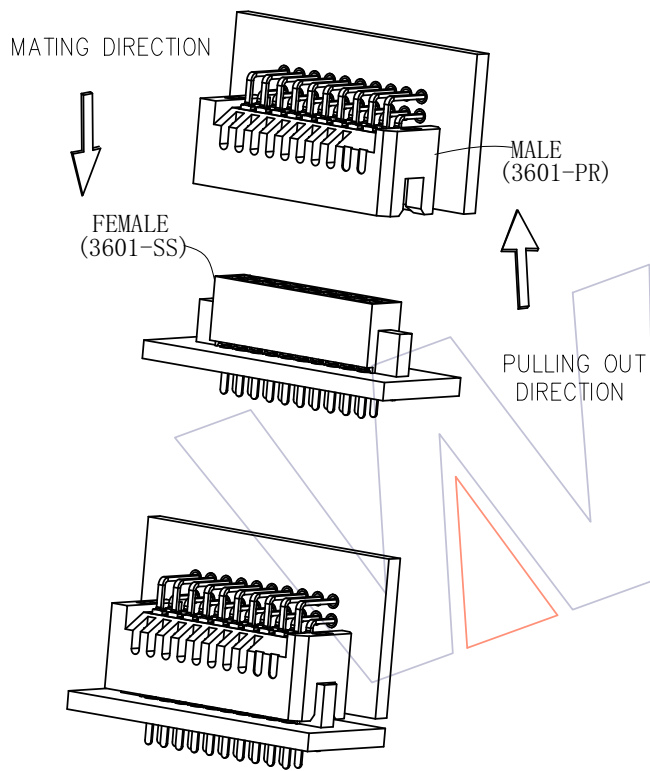
REV	DATE	MODIFICATION DESCRIPTION	CHANGE	OPERATION		DRAW YE XIAOBING	DATE 2021/07/22	SCALE	FIT	PART NO. 3601-PXXX-AX1RXXX01
				X.X	±0.40					
A1	2021/07/22	ADD THE PIN NUMBLE DESCRIPTION IN TABLE 3	YE XIAOBING	X.XX	±0.25	CHECK	DATE	UNIT	mm inch	TITLE: 1.27mm BTB Male Header W=5.72, -STD STYLE,90° DIP
AO	2020/12/05	NEW	Orwell	X.XXX	±0.15	APPROVE	DATE	SIZE	A4	
				Angle	± 3'				SHEET	6/7
				DIM	TOL			PROJ.		

WCON

Http: www.wcon.com

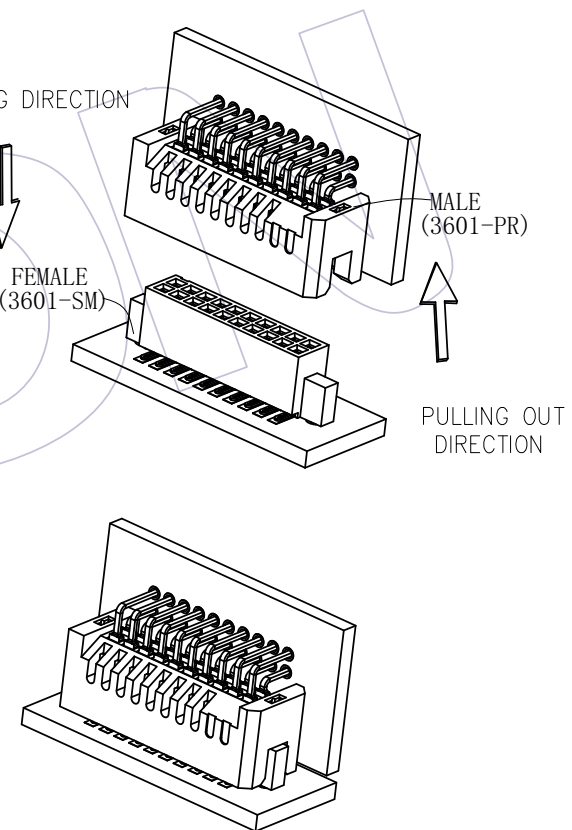
WCON-Dongguan Tel: +86 769 85358920 Fax: +86 769 85358915 E-mail: sales@wcon.com	WCON-Kunshan Tel: +86 512 57468408 Fax: +86 512 57468468 E-mail: salesks@wcon.com
---	--

3601-PR MATED WITH 3601-SS



ASSEMBLY COMPLETION STATUS

MATING DIRECTION



ASSEMBLY COMPLETION STATUS

REV	DATE	MODIFICATION DESCRIPTION	CHANGE	OPERATION		DRAW	DATE	SCALE	FIT	PART NO.	TITLE:	WCON	
				X.X	±0.40							YE XIAOBING	2021/07/22
A1	2021/07/22	ADD THE PIN NUMBLE DESCRIPTION IN TABLE 3	YE XIAOBING	X.XX	±0.25	CHECK	DATE	SIZE	A4	3601-PXXX-AX1RXXX01	1.27mm BTB Male Header W=5.72, -STD STYLE,90° DIP	Tel: +86 769 85358920	Tel: +86 512 57468408
AO	2020/12/05	NEW	Orwell	X.XXX	±0.15	APPROVE	DATE	SHEET	7/7			Fax: +86 769 85358915	Fax: +86 512 57468468
				Angle	± 3'			PROJ.		Customer NO.		E-mail: sales@wcon.com	E-mail: salesks@wcon.com

WCON

Http: www.wcon.com

WCON-Dongguan
Tel: +86 769 85358920
Fax: +86 769 85358915
E-mail: sales@wcon.com

WCON-Kunshan
Tel: +86 512 57468408
Fax: +86 512 57468468
E-mail: salesks@wcon.com