

HSF

Recommended P.C.B Layout(Top Side)
 (PCB BOARD TOLERANCE±0.05)
 PCB BOARD THICKNESS:1.6~2.0

NOTES:
 Current Rating:4.11A/Pin(AT 30°C Rise, 20% Derated)
 Voltage Rating:400V/AC
 Contact Resistance:20mΩ Max.
 Withstand Voltage:1500V AC
 Insulation Resistance:1000MΩ Min.
 Operation Temperature:-40°C to +105°C
 Insulator Material:LCP,G.F,UL94V-0,Black
 Contact Material:Copper Alloy
 Contact plating:
 SM: 100u" Matte Tin Over 50u" Nickel

Recommended Process:
 IR Stove,Peak temperature: 260±5°C

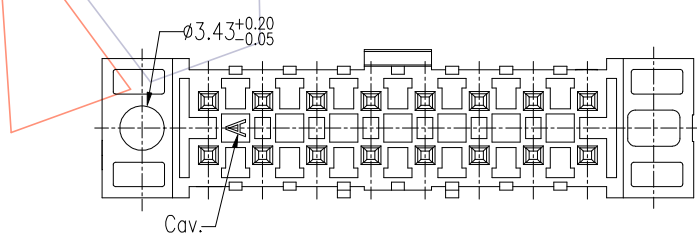
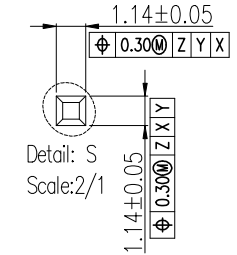
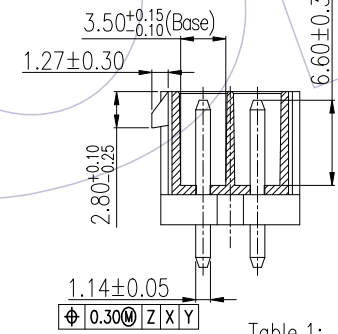
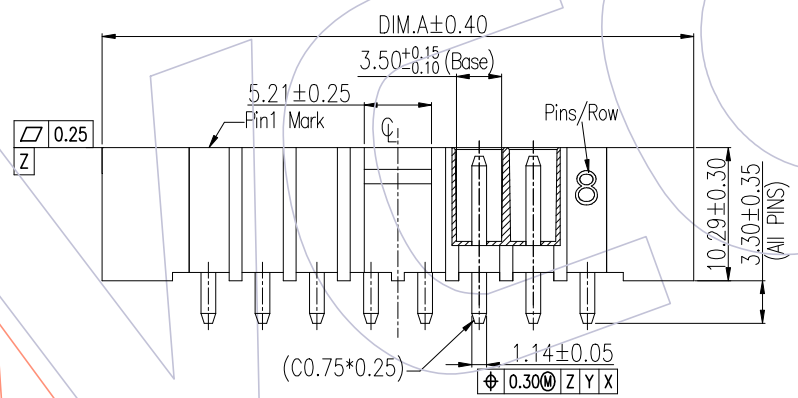
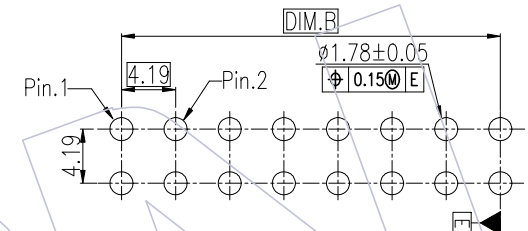
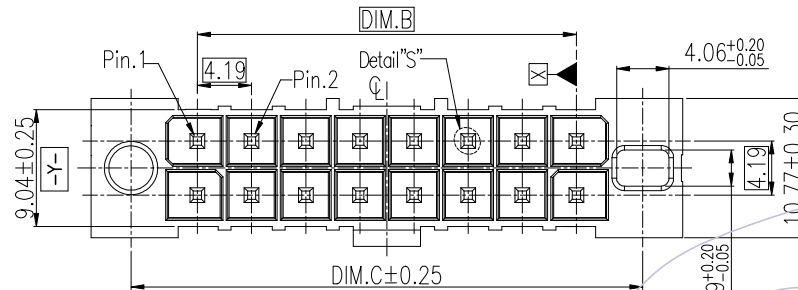


Table 1:

Pin No.	Part No.	DIM.A	DIM.B	DIM.C
2*2P	WF4191D-2WS02XXBX1	20.65	4.19	14.48
2*3P	WF4191D-2WS03XXBX1	24.84	8.38	18.67
2*4P	WF4191D-2WS04XXBX1	29.03	12.57	22.86
2*5P	WF4191D-2WS05XXBX1	33.22	16.76	27.05
2*8P	WF4191D-2WS08XXBX1	45.79	29.33	39.62
2*10P	WF4191D-2WS10XXBX1	54.17	37.71	48.00
2*15P	WF4191D-2WS15XXBX1	75.12	58.66	68.95

REV	DATE	MODIFICATION DESCRIPTION	CHANGE	OPERATION	DRAW	DATE	SCALE	Fit	PART NO.
AO	2020/12/09	NEW RELEASE	Andrey	x.x ±0.40	Andrey	2020/12/09	UNIT	mm	WF4191D-2WSXXXXBX1
				x.xx ±0.25	CHECK	DATE	SIZE	A4	TITLE:
				x.xxx ±0.15	APPROVE	DATE	SHEET	1/4	4.19mm Wafer,Double Row,S/T DIP, DIP Height=3.30mm,W/T Localizable Hole
				Angle ± 3'			PROJ.	Customer NO.	
				DIM TOL					

WCON
 Http: www.wcon.com

WCON-Dongguan
 Tel: +86 769 85358920
 Fax: +86 769 85358915
 E-mail: sales@wcon.com

WCON-Kunshan
 Tel: +86 512 57468408
 Fax: +86 512 57468468
 E-mail: salesks@wcon.com

HSF

Ordering Information

WF 4191 D - 2 WS XX SM B T 1

Company Code:

Series Code:
419= 4.19mm Pitch
1= First series

Specification Code:
D=W/T Localizable Hole

Row Code:
1=Single Row
2=Double Row

Type Code:
WS=180° DIP

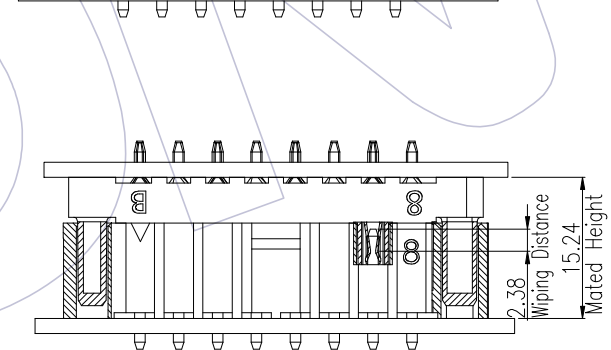
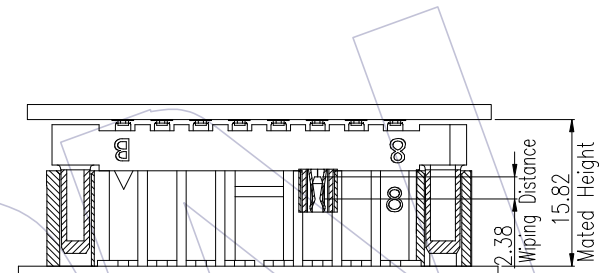
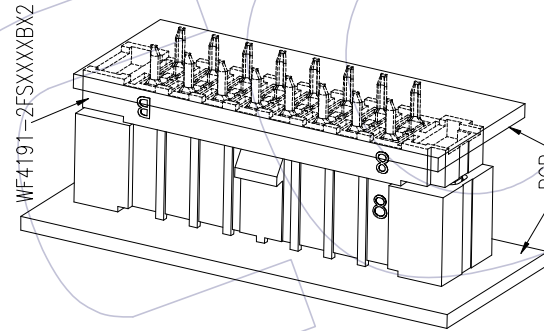
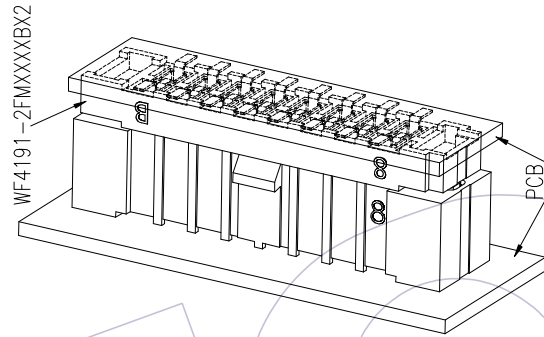
Wcon Internal Code:

1~9
Packing:
T=TUBE

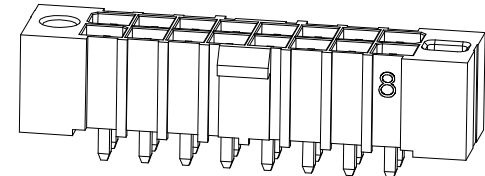
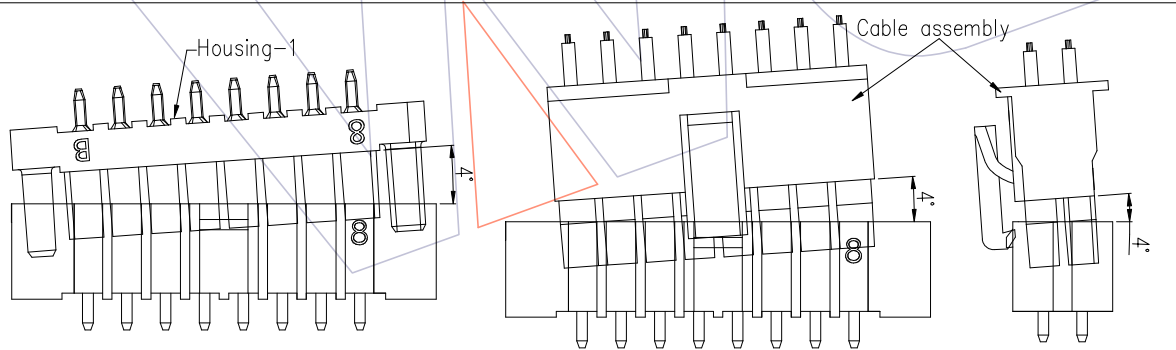
Color:
B=Black

Contact Plating:
SM: 100u" Matte Tin
Over 50u" Nickel

No. of Pins:
2*2P~2*15P



ALLOWED ANGULAR INCLINATION
TOLERANCES LONGITUDINAL: ±4°



3D VIEW

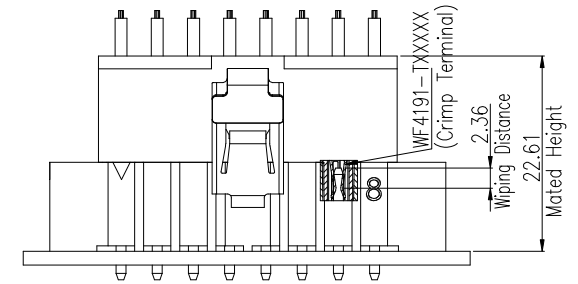
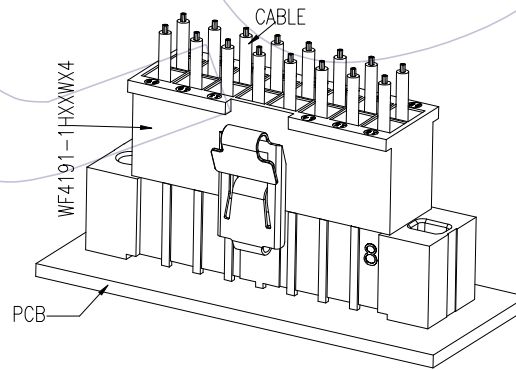
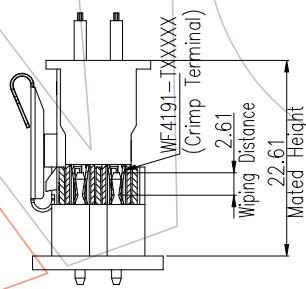
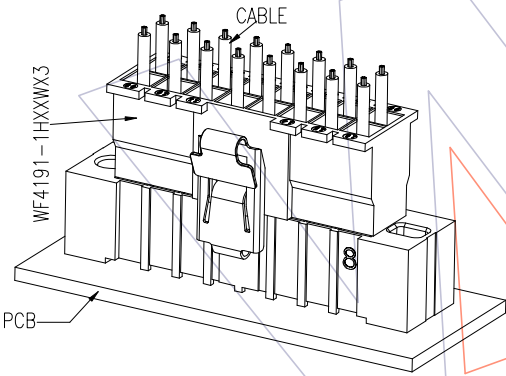
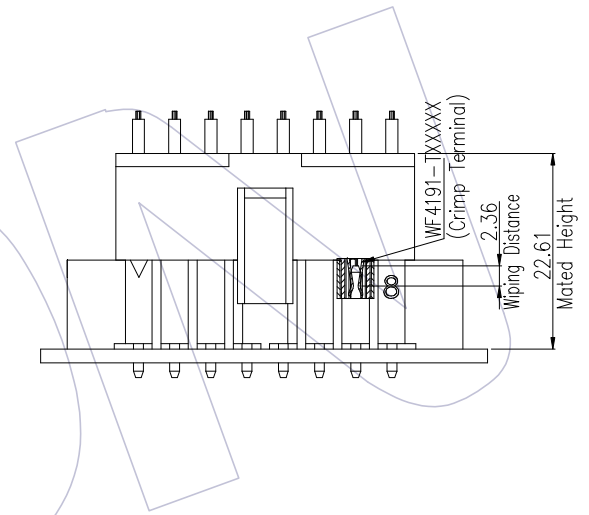
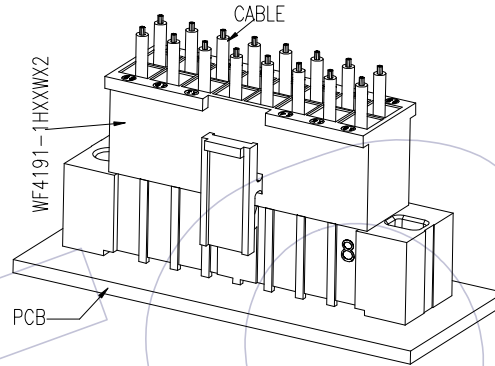
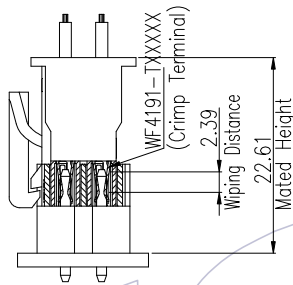
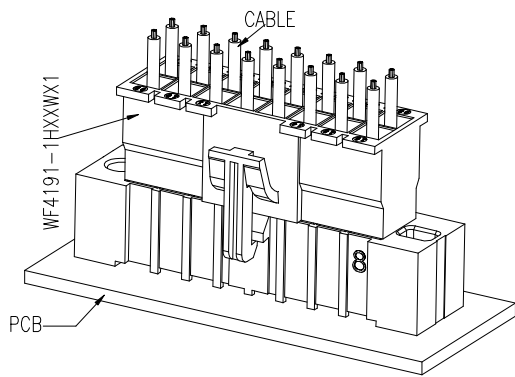
				OPERATION	DRAW	DATE	SCALE	Fit	PART NO.
				x.X ±0.40	Andrey	2020/12/09	UNIT	mm	WF4191D-2WSXXXXBX1
				x.XX ±0.25	CHECK	DATE	SIZE	A4	TITLE:
AO	2020/12/09	NEW RELEASE	Andrey	x.XXX ±0.15	APPROVE	DATE	SHEET	2/4	4.19mm Wafer, Double Row, S/T DIP, DIP Height=3.30mm, W/T Localizable Hole
REV	DATE	MODIFICATION DESCRIPTION	CHANGE	Angle ± 3'			PROJ.	⌀	Customer NO.
				DIM TOL					

WCON
Http: www.wcon.com

WCON-Dongguan Tel: +86 769 85358920 Fax: +86 769 85358915 E-mail: sales@wcon.com

WCON-Kunshan Tel: +86 512 57468408 Fax: +86 512 57468468 E-mail: salesks@wcon.com

HSF



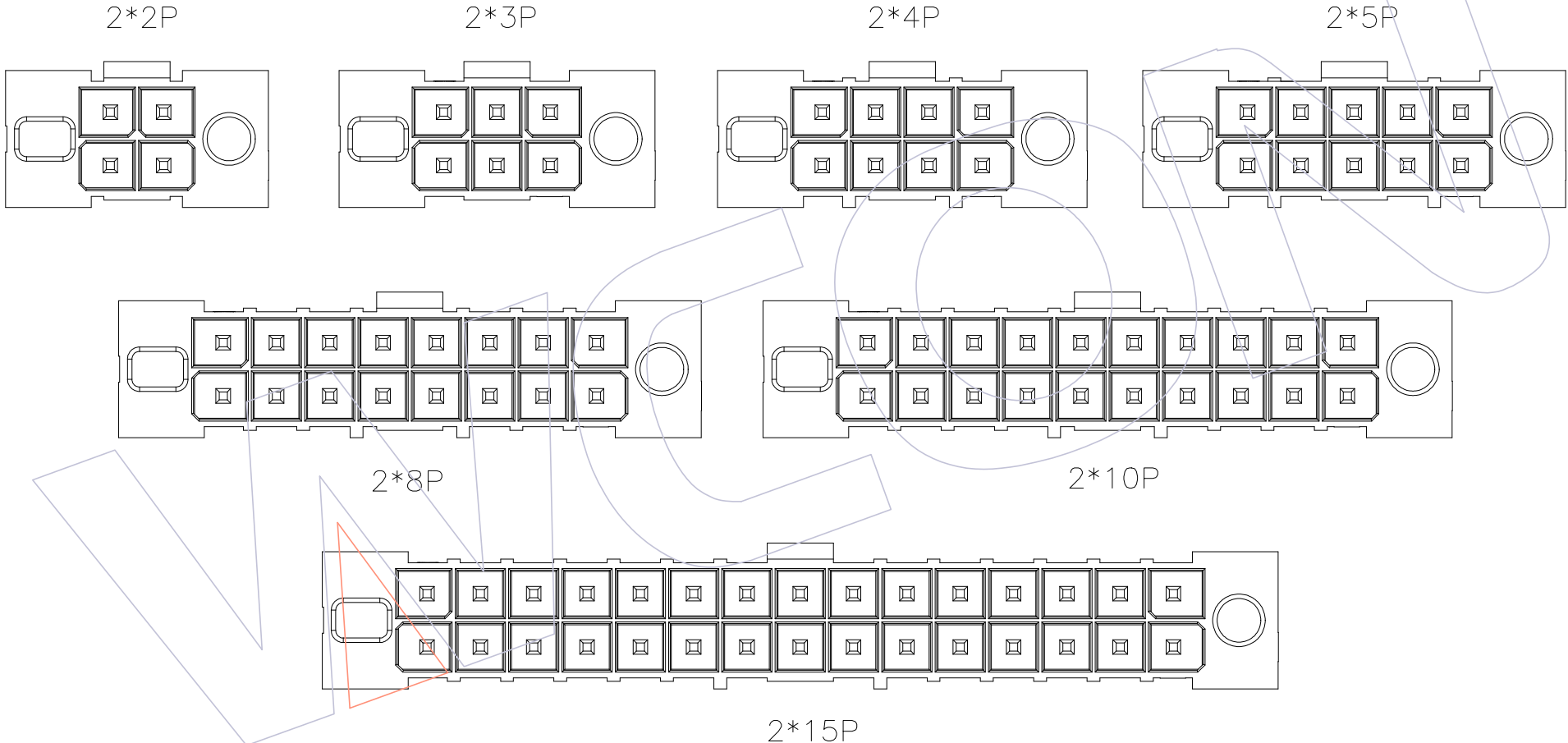
				OPERATION	DRAW	DATE	SCALE	Fit	PART NO.
				x.x ±0.40	Andrey	2020/12/09	UNIT	mm	WF4191D-2WSXXXXBX1
				x.xx ±0.25	CHECK	DATE	SIZE	A4	TITLE:
AO	2020/12/09	NEW RELEASE	Andrey	x.xxx ±0.15	APPROVE	DATE	SHEET	3/4	4.19mm Wafer, Double Row, S/T DIP, DIP Height=3.30mm, W/T Localizable Hole
REV	DATE	MODIFICATION DESCRIPTION	CHANGE	Angle ± 3'			PROJ.	⌀	Customer NO.
				DIM TOL					

WCON

Http: www.wcon.com

WCON-Dongguan Tel: +86 769 85358920 Fax: +86 769 85358915 E-mail: sales@wcon.com	WCON-Kunshan Tel: +86 512 57468408 Fax: +86 512 57468468 E-mail: salesks@wcon.com
---	--

HSF



				OPERATION	DRAW	DATE	SCALE	Fit	PART NO.
				x.X ±0.40	Andrey	2020/12/09	UNIT	mm	WF4191D-2WSXXXXBX1
				x.XX ±0.25	CHECK	DATE	SIZE	A4	TITLE:
AO	2020/12/09	NEW RELEASE	Andrey	x.XXX ±0.15	APPROVE	DATE	SHEET	4/4	4.19mm Wafer, Double Row, S/T DIP, DIP Height=3.30mm, W/T Localizable Hole
REV	DATE	MODIFICATION DESCRIPTION	CHANGE	Angle ± 3'			PROJ.	⌀	Customer NO.
				DIM TOL					

WCON
 Http: www.wcon.com

WCON-Dongguan Tel: +86 769 85358920 Fax: +86 769 85358915 E-mail: sales@wcon.com	WCON-Kunshan Tel: +86 512 57468408 Fax: +86 512 57468468 E-mail: salesks@wcon.com
---	--