

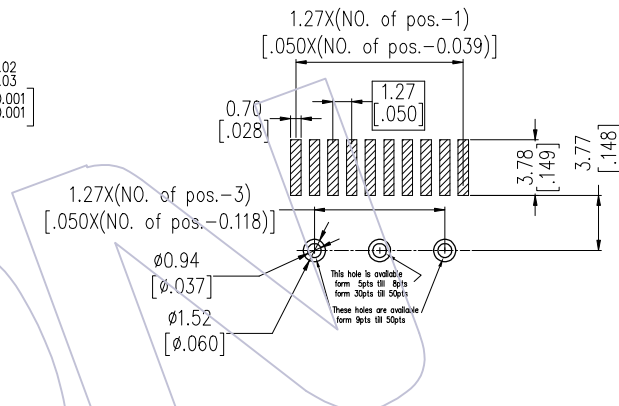
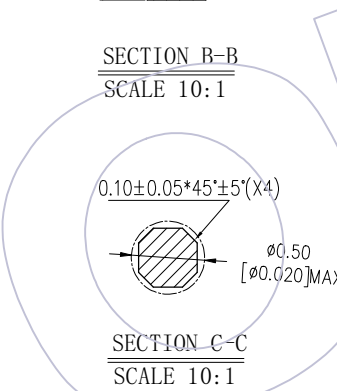
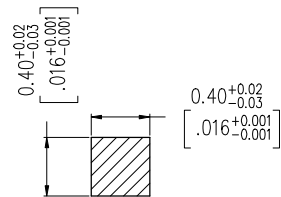
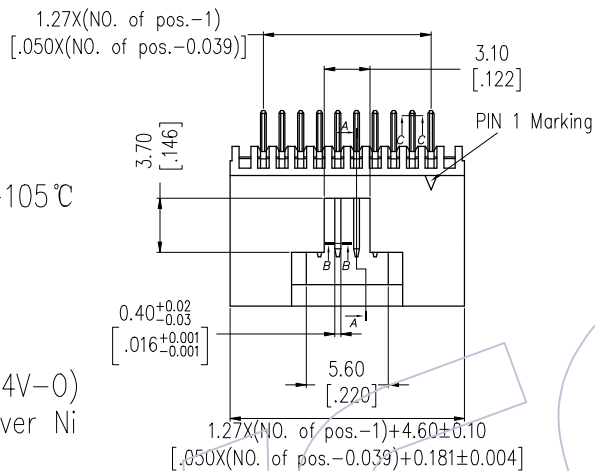
# HSF

**NOTES:**

Current Rating: 1AMP  
 Contact Resistance: 30mΩ max  
 Withstand Voltage: 250V AC/DC  
 Insulation Resistance: 1000MΩ min  
 Operation Temperature: -40°C to +105°C

Contact Material: Phosphor Bronze(C5191-H)  
 Contact plating: Au Or Sn Over Ni  
 Insulator Material: PA9T+30%GF(UL94V-0)  
 Fixing Hardware plating: Au or Sn over Ni  
 Plating

Recommended P.C.B Layout(Top Side)  
 (PCB BOARD TOLERANCE±0.05)



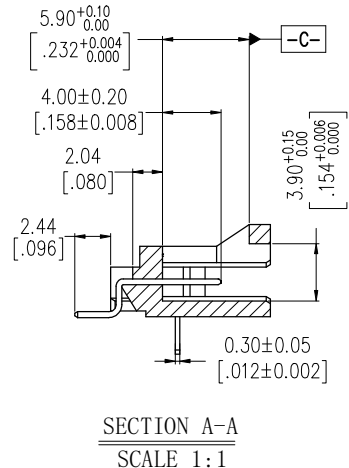
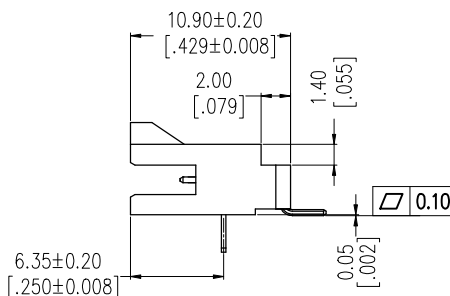
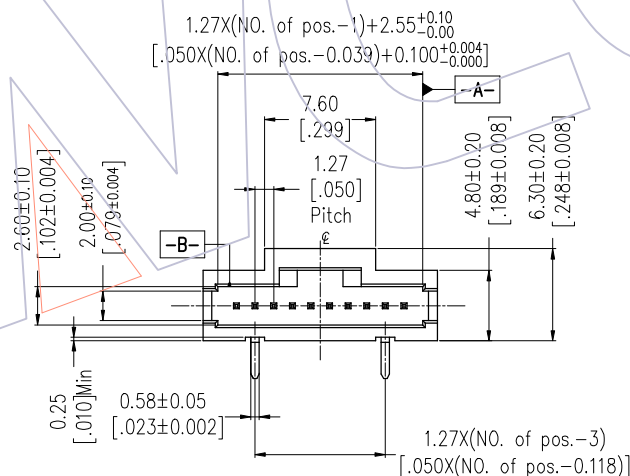
**Ordering Information**

**WF1271-1 WZ H XX S0 B T 3**

No. of Pins  
 4-50 PIN

Contact Plating  
 S0=Gold Flash/Tin

Packing:  
 T=Tube



REV	DATE	MODIFICATION DESCRIPTION	CHANGE	OPERATION		DRAW	DATE	SCALE	FIT	PART NO.
				X.X	±0.40					
A1	2015/02/10	Modify No. of Pins		X.XX	±0.25	JYHuang	2015/02/10	UNIT	mm	WF1271-1WZHXXSOBT3
A0	2014/01/02	NEW		X.XXX	±0.15	CHECK	DATE	SIZE	A4	TITLE: 1.27 Wafer Conn 90°SMT With Fixing
				Angle	± 3°	APPROVE	DATE	SHEET	1/1	Customer NO.
				DIM	TOL			PROJ.		

**WCON**

Http: www.wcon.com

WCON-Dongguan  
 Tel: +86 769 85358920  
 Fax: +86 769 85358915  
 E-mail: sales@wcon.com

WCON-Kunshan  
 Tel: +86 512 57468408  
 Fax: +86 512 57468468  
 E-mail: salesks@wcon.com