

HSF

HOUSING MATERIAL:

Micro Insulator Material:PBT+30%G.F UL94V-0

Micro Contact Material:Phosphor Bronze

Micro Contact plating:Sn Over Ni

CABLE MATERIAL:

Insulator:UL 2651,Grey

Conductor:28AWG(7/0.12mm)

Electrical:300V

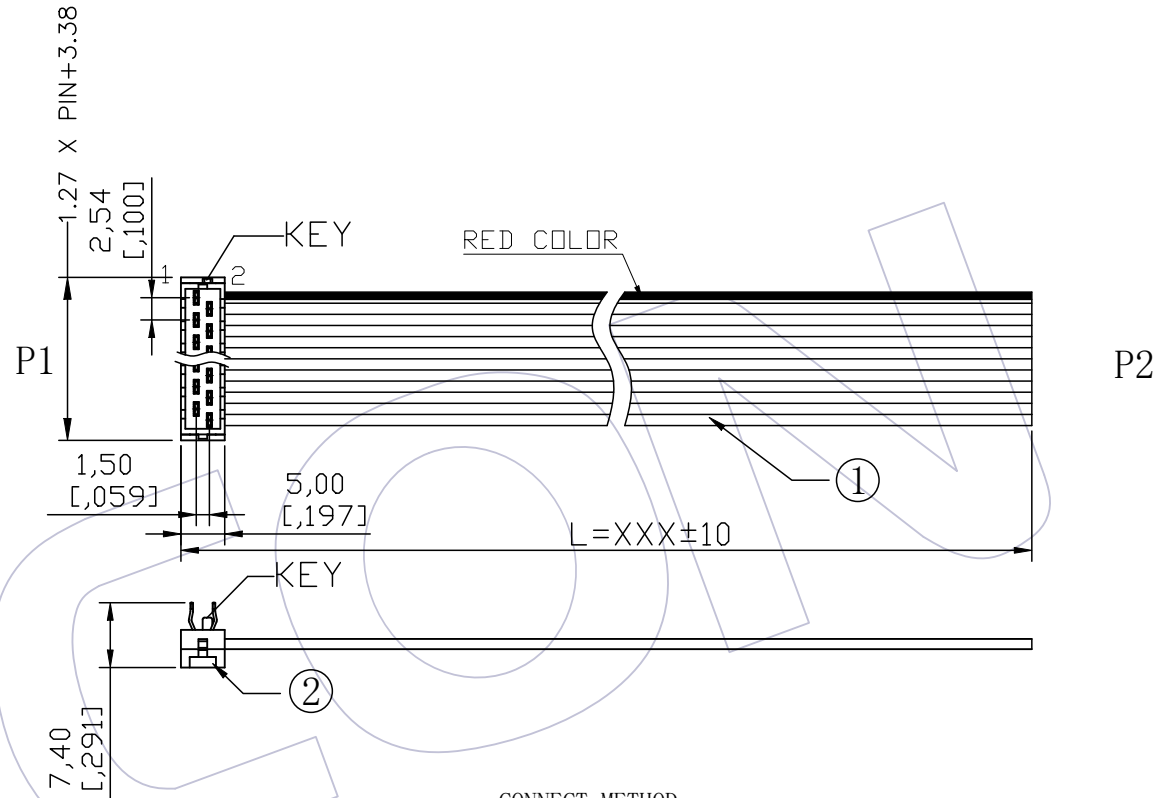
SPECIFICATIONS

Insulation Resistance: 5MΩ Min

Contact Resistance: 1.0Ω Max

Withstand Voltage: DC 300V, 10S

The Cable Assembly Must 100% Test



Ordering Information

F3900G - xx SN A R xxx 301

No. OF Pins: 04~20p
 Contact Plating: SN=Tin
 Length of Line: xxx
 CONN.Color: R=Red

CONNECT METHOD
 P1 P2
 1 ——— Open
 2 ——— Open
 3 ——— Open
 4 ——— Open
 ●●●●●
 XX ——— Open
 XX ——— Open

②	3900-XXMISNANTO	CONN.	1.27 XXP Micro DIP PLUG IDC PBT RED Plating:SN	1	SET
①	F1U-C28GXXD0-XXXX-	WIRE	UL2651 PH1.27mm XXP 28AWG(7/0.12TC) PVC Grey Marking Red Side	XXX	MM
NO.	PART NO.	NAME	TITLE	Q'TY	UNIT

REV	DATE	MODIFICATION DESCRIPTION	CHANGE	OPERATION		DRAW BEN	DATE 09/07/08	SCALE	FIT	PART NO. F3900G-XXSNARXXX301	TITLE: 1.27 MRC Drawing	Customer NO.	Http: www.wcon.com WCON-Dongguan Tel: +86 769 85358920 Fax: +86 769 85358915 E-mail: sales@wcon.com WCON-Kunshan Tel: +86 512 57468408 Fax: +86 512 57468468 E-mail: salesks@wcon.com
				X.X	±0.40			UNIT	mm/inch				
				X.XX	±0.25			SIZE	A4				
				X.XXX	±0.15			SHEET	1/1				
				Angle	± 3'	APPROVE	DATE	PROJ.					
				DIM	TOL								