

# HSF

## IDC HOUSING MATERIAL

Insulation Material:PBT+30%GF(UL94V-0)  
 Contact Material:Phosphor Bronze/BRASS  
 Contact plating:Au or Sn Over Ni

## Micro Match HOUSING MATERIAL

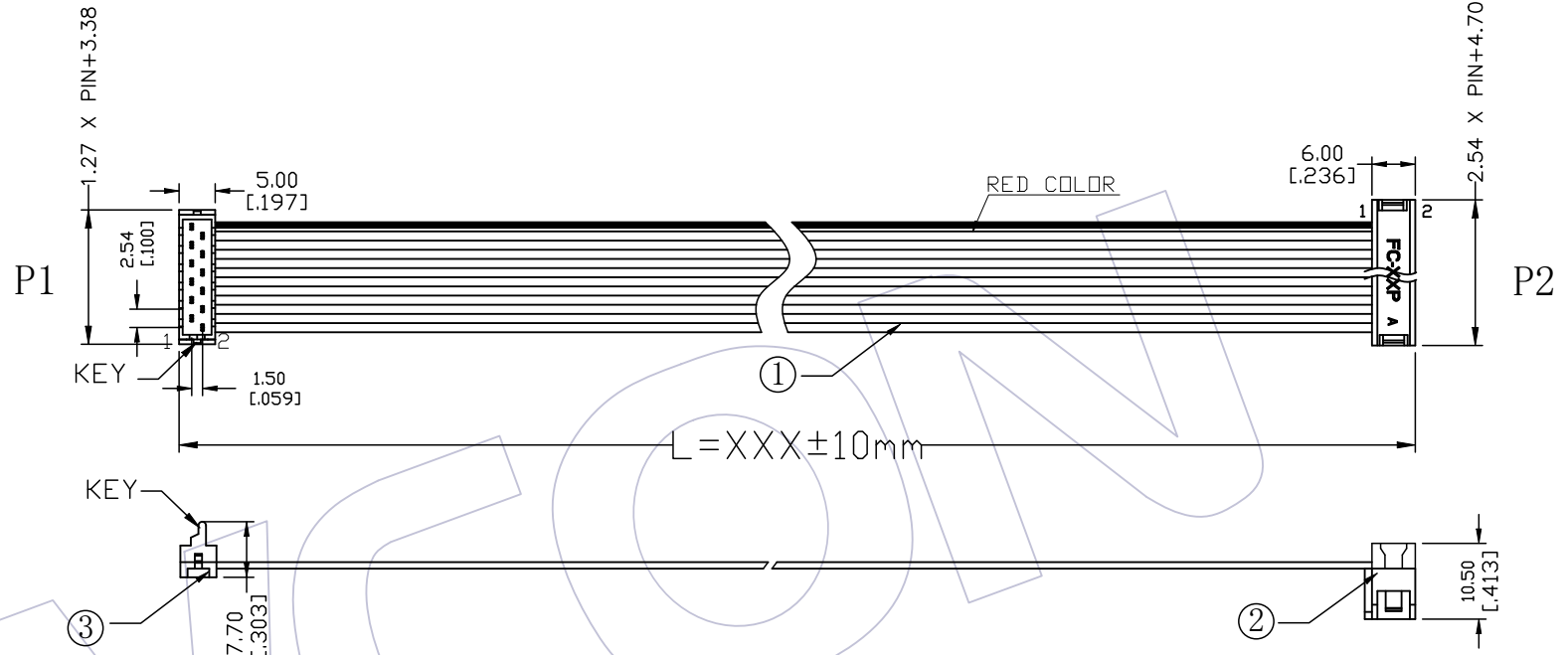
Insulation Material:PBT+30%GF(UL94V-0)  
 Contact Material:Phosphor Bronze  
 Contact plating:Au or Sn Over Ni

## SPECIFICATIONS

Insulation Resistance:5MΩ Min  
 Contact Resistance:1.0Ω Max  
 Withstand Voltage:DC 300V, 10S  
 The Cable Assembly Must 100% Test

## CABLE MATERIAL

Insulation:UL 2651,Grey Red Side  
 Conductor:28AWG(7/0.12mm)  
 Electrical:300V



## Ordering Information

F3900D - XX XX B X XXX 001

No.OF Pins  
04-20p

Contact Plating:

G0=Gold Flash  
 G3=10u"Gold  
 G4=15u"Gold  
 G5=30u"Gold  
 S0=Gold Flash/Ni  
 S3=10u"Gold/Ni  
 S4=15u"Gold/Ni  
 S5=30u"Gold/Ni  
 SN=Tin

Color:

B=Black  
 G=Grey(427C)  
 R=RED

Length of Line

## CONNECT METHOD

P1	P2
1	XX
2	XX
3	XX
XX	2
XX	1

③	3900-XXMISNATO2	CONN.	1.27 xxP Micro BOX PLUG IDC PBT RED Plating:SN	1	SET
②	5212-XXXXXXXXX01	CONN.	2.54 IDC **P PBT Color:XXX material:XX, Plating Xu" gold	1	SET
①	F1U-C28GXXD0-XXXX-1	WIRE	UL2651 PH1.27mm XXP 28AWG(7/0.12TC) PVC Grey Marking Red Side	XXXX	MM
NO.	PART NO.	NAME	TITLE	QT'Y	UNIT

AO	09/09/02	NEW	CHANGE	OPERATION		DRAW BEN	DATE 09/09/02	SCALE	FIT mm inch	PART NO. F3900D-XXXXBXXXX001	TITLE: 1.27 MRC Drawing	 Http: www.wcon.com WCON-Dongguan WCON-Kunshan Tel: +86 769 85358920 Tel: +86 512 57468408 Fax: +86 769 85358915 Fax: +86 512 57468468 E-mail: sales@wcon.com E-mail: salesks@wcon.com
				UNIT								
				SIZE								
				SHEET								
REV	DATE	MODIFICATION DESCRIPTION	CHANGE	Angle DIM	± 3' TOL	APPROVE	DATE	SHEET	1/1	Customer NO.		