

HSF

IDC HOUSING MATERIAL

Insulation Material:PBT+30%GF(UL94V-0)
 Contact Material:Phosphor Bronze/BRASS
 Contact plating:Au or Sn Over Ni

Micro Match HOUSING MATERIAL

Insulation Material:PBT+30%GF(UL94V-0)
 Contact Material:Phosphor Bronze
 Contact plating:Au or Sn Over Ni

Insulation Resistance:5MΩ Min

Contact Resistance:1.0Ω Max

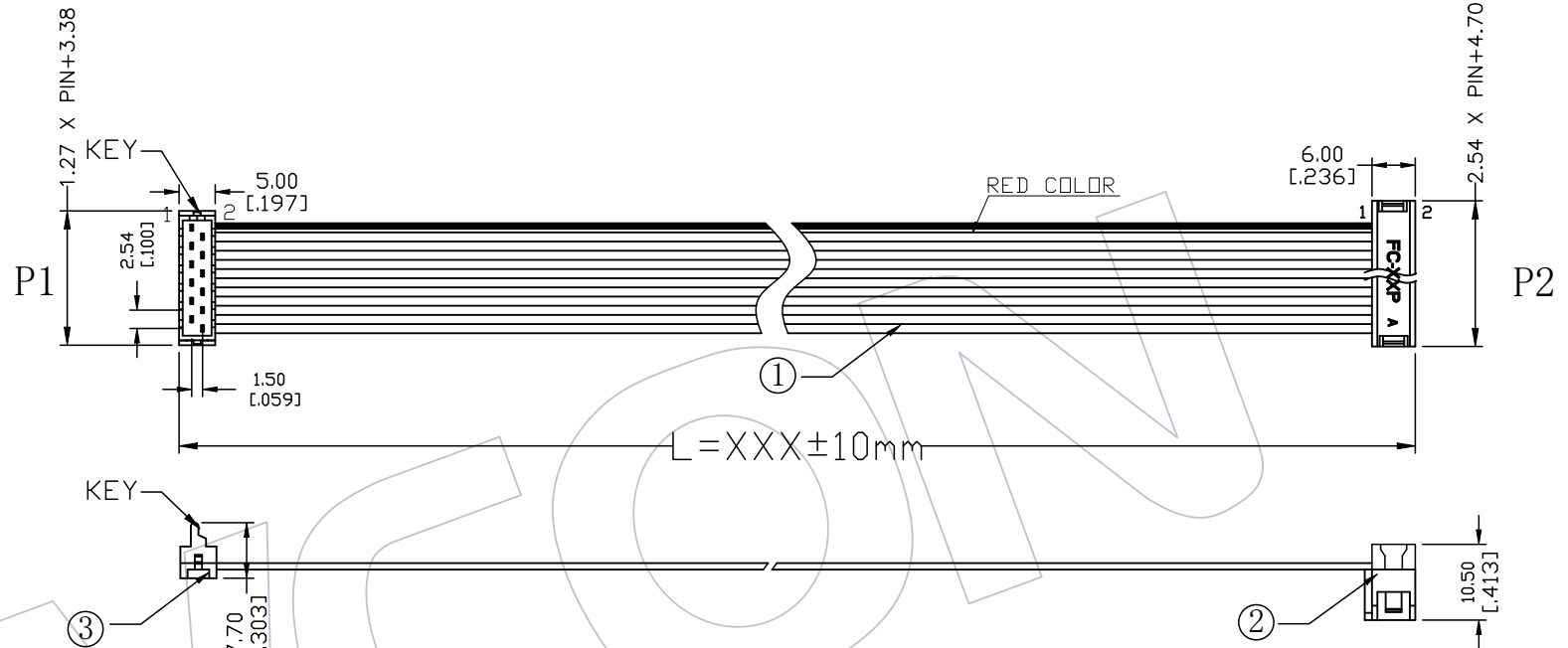
Withstand Voltage:DC 300V, 10S

The Cable Assembly Must 100% Test

CABLE MATERIAL

Insulation:UL 2651,Grey Red Side

Conductor:28AWG(7/0.12mm)



Ordering Information

F3900D - XX XX A X XXX 101

No.OF Pins
04-20p

Contact Plating:

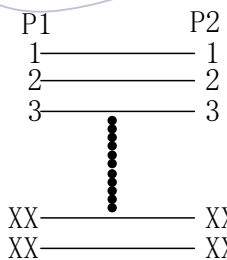
G0=Gold Flash
 G3=10u"Gold
 G4=15u"Gold
 G5=30u"Gold
 S0=Gold Flash/Ni
 S3=10u"Gold/Ni
 S4=15u"Gold/Ni
 S5=30u"Gold/Ni
 SN=Tin

Color:


B=Black
 G=Grey(427C)
 R=RED

Length of Line

CONNECT METHOD



③	3900-XXMISNATO2	CONN.	1.27 xxP Micro BOX PLUG IDC PBT RED Plating:SN	1	SET
②	5212-XXXXXXXXX01	CONN.	2.54 IDC **P PBT Color:XXX material:XX, Plating Xu" gold	1	SET
①	F1U-C28GXXD0-XXXX-1	WIRE	UL2651 PH1.27mm XXP 28AWG(7/0.12TC) PVC Grey Marking Red Side	XXXX	MM
NO.	PART NO.	NAME	TITLE	QT'Y	UNIT

REV	DATE	MODIFICATION DESCRIPTION	CHANGE	OPERATION	DRAW	DATE	SCALE	FIT	PART NO.	 Http: www.wcon.com WCON-Dongguan Tel: +86 769 85358920 Fax: +86 769 85358915 E-mail: sales@wcon.com WCON-Kunshan Tel: +86 512 57468408 Fax: +86 512 57468468 E-mail: salesks@wcon.com
				X.X	BEN	09/09/02	UNIT	mm	F3900D-XXXXXXXX101	
				X.XX	CHECK	DATE	SIZE	A4	TITLE:	
				X.XXX	APPROVE	DATE	SHEET	1/1	1.27 MRC Drawing	
				Angle		DATE	PROJ.	Customer NO.		