

HSF

HOUSING MATERIAL:

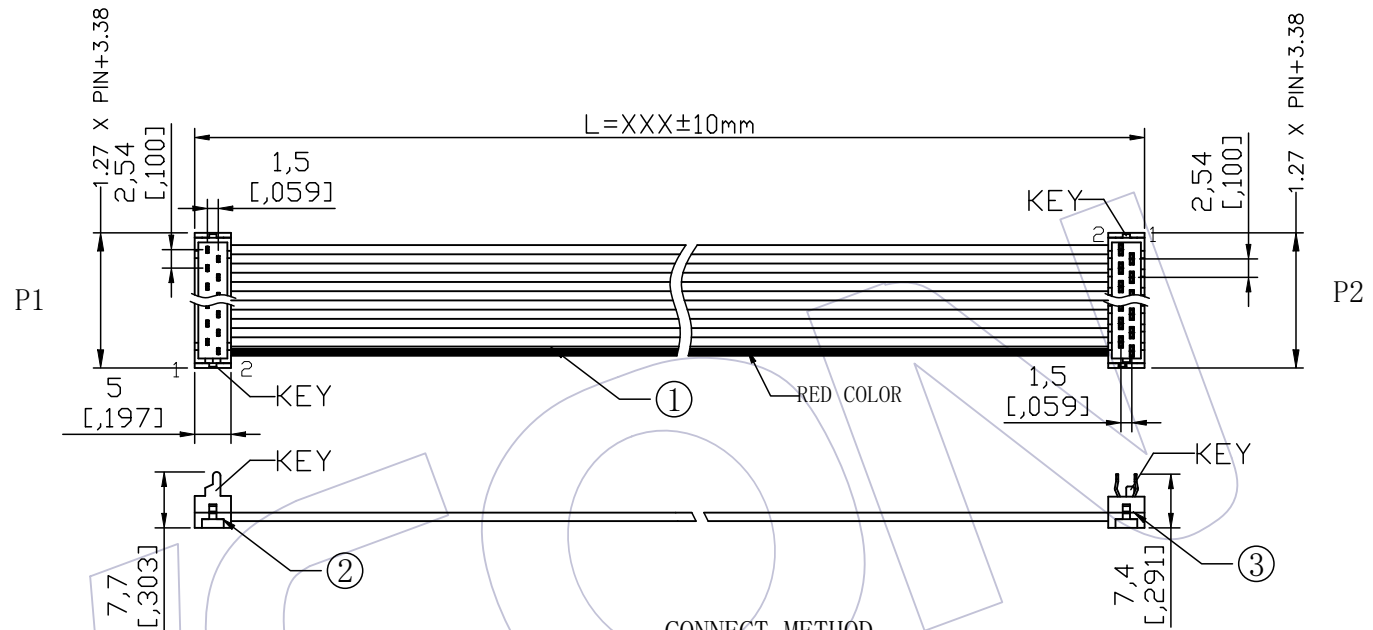
Micro Insulator Material:PBT+30%G.F UL94V-0
 Micro Contact Material:Phosphor Bronze
 Micro Contact plating:Sn Over Ni

CABLE MATERIAL:

Insulator:UL 2651,Grey
 Conductor:28AWG(7/0.12mm)
 Electrical:300V

SPECIFICATIONS

Insulation Resistance: 5MΩ Min
 Contact Resistance: 1.0Ω Max
 Withstand Voltage: DC 300V, 10S
 The Cable Assembly Must 100% Test



Ordering Information

F3900C - xx SN B R xxx 001

No.OF Pins
04~20p

Contact Plating
SN=Tin


Length of Line

CONN.Color:
R=Red

CONNECT METHOD

P1	P2
1	XX
2	XX
3	XX
	⋮
XX	2
XX	1

NO.	PART NO.	NAME	TITLE	Q'TY	UNIT
③	3900-XXMISNANT01	CONN.	1.27 xxP Micro DIP PLUG IDC PBT RED Plating:SN	1	SET
②	3900-XXMISNANT02	CONN.	1.27 xxP Micro BOX PLUG IDC PBT RED Plating:SN	1	SET
①	F1U-C28GXXD0-XXX-1	WIRE	UL2651 PH1.27mm XXP 28AWG(7/0.12TC) PVC Grey Marking Red Side	XXX	MM

REV	DATE	MODIFICATION DESCRIPTION	CHANGE	OPERATION	DRAW	DATE	SCALE	FIT	PART NO.	 Http: www.wcon.com WCON-Dongguan Tel: +86 769 85358920 WCON-Kunshan Tel: +86 512 57468408 Fax: +86 769 85358915 Fax: +86 512 57468468 E-mail: sales@wcon.com E-mail: salesks@wcon.com
				X.X ±0.40	BEN	09/07/08	UNIT	mm inch	F3900C-XXSNBRXXX001	
				X.XX ±0.25	CHECK	DATE	SIZE	A4	TITLE: 1.27 MRC Drawing	
A0	09/07/08	NEW		X.XXX ±0.15	APPROVE	DATE	SHEET	1/1	Customer NO.	
				Angle ± 3' DIM TOL			PROJ.			