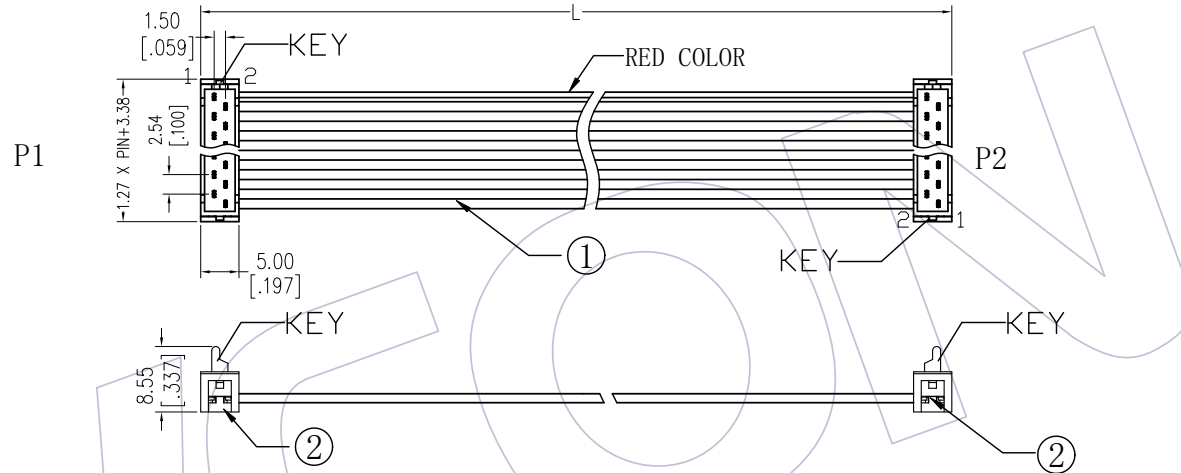


HSF

MRC Connector Spec.:
 MRC Insulator Material: PBT+30%GF UL94V-0
 MRC Contact Material: Copper Alloy
 MRC Contact plating: Sn Over Ni

CABLE MATERIAL:
 Insulator: UL 2651, Grey
 Conductor: 28AWG(7/0.12mm)
 Electrical: 300V

SPECIFICATIONS
 Insulation Resistance: 5.0MΩ Min
 Contact Resistance: 1.0Ω Max
 Withstand Voltage: AC 300V, 10S
 The Cable Assembly Must 100% Test



Ordering Information

F3900A - XX SN B R XXX 101

No. OF Pins
04-20p
Contact Plating
SN=Tin
Length of Line
CONN. Color
R=Red

CONNECT METHOD

P1	1	XX	P2	XX
	2	XX		XX
		●●●●●●●●		
XX			2	
XX			1	

LENGTH	TOLERANCE
≤100	±5
101~1000	±10
1001~3000	±20
3001~	± Lx1%

②	3900-XXMISNANT02	CONN.	1.27 XXP MRC BOX PLUG IDC RED Plating:SN	2	PCS
①	F1U-C28GXXD0-XXXX-X	WIRE	UL2651 PH1.27mm XXP 28AWG(7/0.12TS) PVC Grey Red Side	XXX	MM
NO.	PART NO.	NAME	Specification	Q'TY	UNIT

REV	DATE	MODIFICATION DESCRIPTION	CHANGE	OPERATION	DRAW	DATE	SCALE	FIT	PART NO.
				x.x ±0.40	XSR	2019/12/25	UNIT	mm	F3900A-XXSNBRXXX101
A1	2019/12/25	Modify		x.xx ±0.25	CHECK	DATE	SIZE	A4	TITLE:
A0	2009/07/08	NEW	-----	x.xxx ±0.15		DATE	SHEET	1/1	1.27 MRC Drawing
				Angle ± 3°	APPROVE	DATE	PROJ.	Customer NO.	
				DIM TOL					

WCON

Http: www.wcon.com

WCON-Dongguan Tel: +86 769 85358920 Fax: +86 769 85358915 E-mail: sales@wcon.com	WCON-Kunshan Tel: +86 512 57468408 Fax: +86 512 57468468 E-mail: salesks@wcon.com
---	--