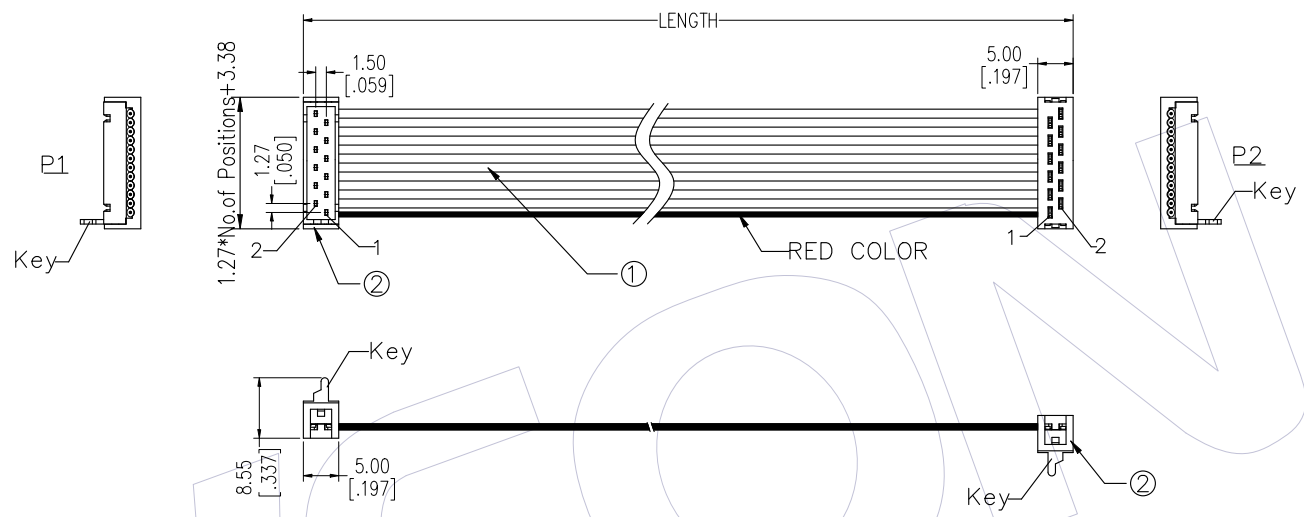


# HSF

MRC Connector Spec.:  
 MRC Insulator Material: PBT+30%G.F UL94V-0  
 MRC Contact Material: Copper Alloy  
 MRC Contact plating: Sn Over Ni

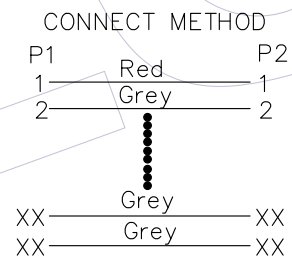
CABLE MATERIAL:  
 Insulator: UL 2651, Grey  
 Conductor: 28AWG(7/0.12mm)  
 Electrical: 300V

SPECIFICATIONS  
 Insulation Resistance: 5.0MΩ Min  
 Contact Resistance: 1.0Ω Max  
 Withstand Voltage: AC 300V, 10S  
 The Cable Assembly Must 100% Test



**Ordering Information**  
**F3900A - XX SN A R XXX 001**

No. OF Pins 04~20p  
 Contact Plating SN=Tin  
 Length of Line  
 CONN. Color R=Red



LENGTH	TOLERANCE
≤100	±5
101~1000	±10
1001~3000	±20
3001~	± Lx1%

②	3900-XXMISNANT02	CONN.	1.27 XXP MRC BOX PLUG IDC RED Plating:SN	2	PCS
①	F1U-C28GXXD0-XXXX-X	WIRE	UL2651 PH1.27mm XXP 28AWG(7/0.12TS) PVC Grey Red Side	XXX	MM
NO.	PART NO.	NAME	Specification	Q'TY	UNIT

REV	DATE	MODIFICATION DESCRIPTION	CHANGE	OPERATION	DRAW	DATE	SCALE	FIT	PART NO.
A2	2019/12/25	Modify		x.x ±0.40	XSR	2019/12/25	UNIT mm		F3900A-XXSNARXXX001
A1	2010/12/01	Change Micro Match ASS'Y Height		x.xx ±0.25	CHECK	DATE	SIZE A4		TITLE: 1.27 MRC Drawing
A0	2009/07/08	NEW	-----	x.xxx ±0.15		DATE	SHEET 1/1		Customer NO.
				Angle ± 3°	APPROVE	DATE	PROJ.		
				DIM TOL					

**WCON**  
 Http: www.wcon.com

WCON-Dongguan Tel: +86 769 85358920  
 WCON-Kunshan Tel: +86 512 57468408  
 Fax: +86 769 85358915  
 Fax: +86 512 57468468  
 E-mail: sales@wcon.com  
 E-mail: salesks@wcon.com