

HSF

NOTE:
 Rated Current: See Table 1
 Rated Voltage: 50 V AC(RMS)/DC;
 Contact Resistance: 20mΩ Max;
 Withstanding Voltage: 500V AC;
 Insulation Resistance: 100MΩ Min;
 Temperature Range: -40°C ~ +125°C
 (Includes the terminal temperature rise)

Terminal Material: Copper alloy
 Terminal Plating: 50u" Matte Tin 30u" Over Nickel

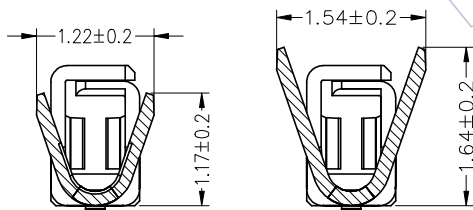
TABLE 1:

WIRE RANGE		INSULATION O.D. (mm)	CURRENT MAX (A)
AWG	SQ(mm ²)		
#26	0.049~0.136	ø0.78~1.02	3.6
#28			3.1
#30			2.8

Ordering Information

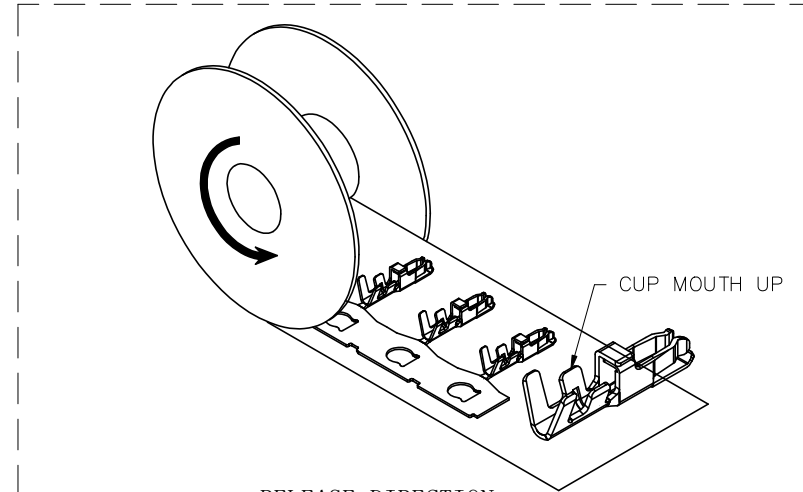
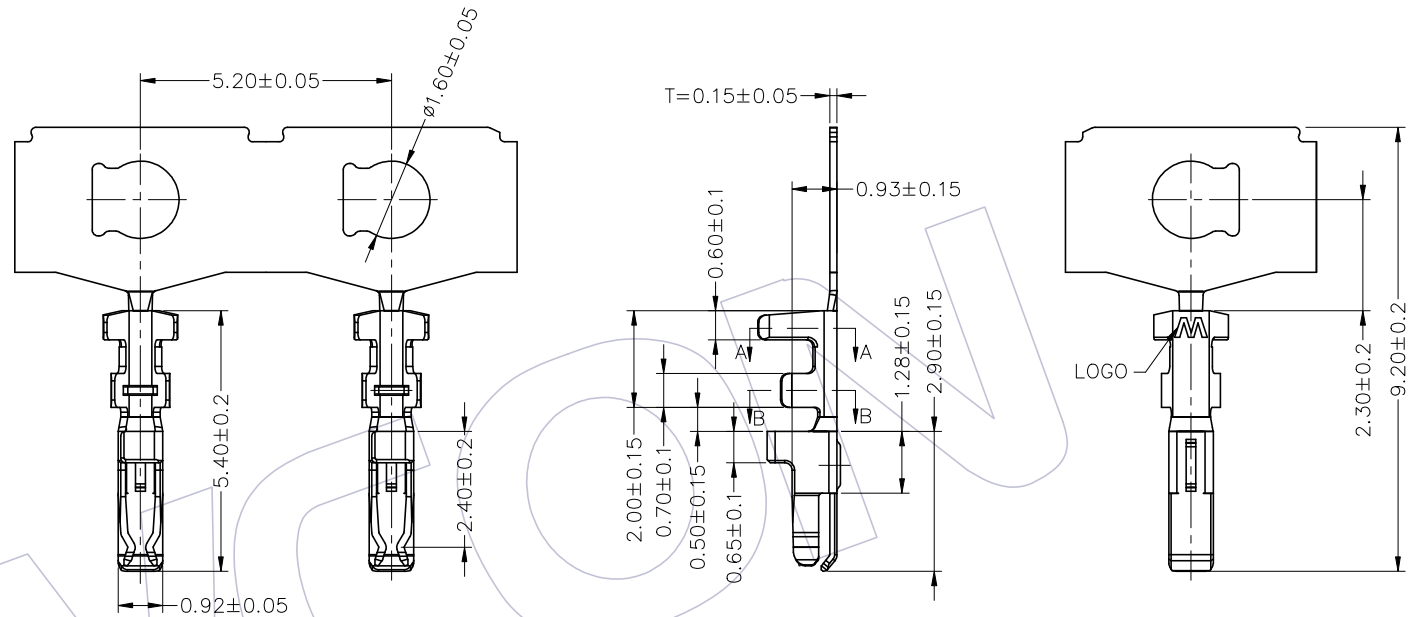
WF1258- T P XX 01

T=TERMINAL
 MATERIAL:
 P=PHOSPHOR BRONZE
 CONTACT PLATING:
 SM=MATTE TIN
 SN=BRIGHT TIN



SECTION "B-B"
SCALE 2:1

SECTION "A-A"
SCALE 2:1



RELEASE DIRECTION

REV	DATE	MODIFICATION DESCRIPTION	CHANGE	OPERATION	DRAW	DATE	SCALE	FIT	PART NO.
02	2023/02/20	1. ADD BRIGHT TIN	XueLei	X.X ±0.40	XueLei	2023/02/20	UNIT	mm	WF1258-TPXX01
01	2022/06/17	1. ADD TABLE 1, 2. ADD DRAWING DETAILS	XueLei	X.XX ±0.25	CHECK	DATE	SIZE	A4	TITLE: 1. 25mm Housing Terminal, M Type, Crimp Type
0	2022/05/18	NEW	—	X.XXX ±0.15	APPROVE	DATE	SHEET	1/2	Customer NO.
				Angle ± 3'			PROJ.	⌀	
				DIM TOL					

WCON
 Http: www.wcon.com

WCON-Dongguan Tel: +86 769 85358920
 WCON-Kunshan Tel: +86 512 57468408
 Fax: +86 769 85358915
 Fax: +86 512 57468468
 E-mail: sales@wcon.com
 E-mail: salesks@wcon.com

HSF

CRIMPING CONDITIONS(REF)

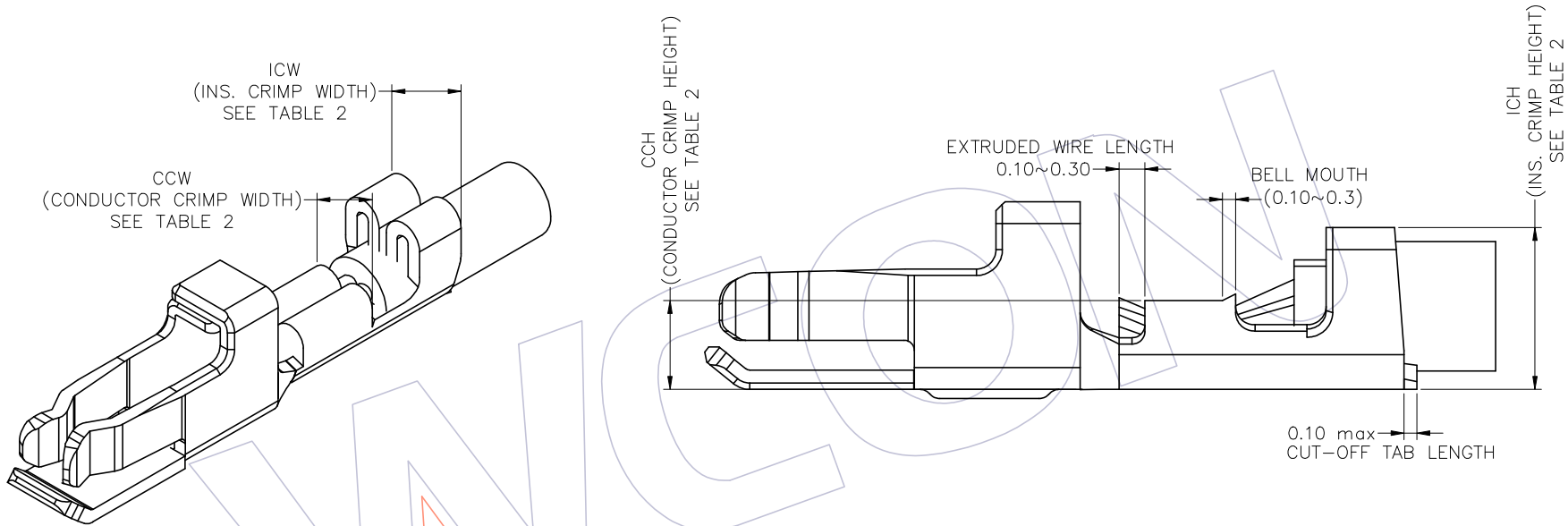


TABLE 2:

AWG	Wire Range	INSULATION O.D. (mm)	CCH (mm)	CCW (mm)	ICH (mm)	ICW (mm)
	SQ(mm ²)					
#26			0.54~0.59		1.19~1.28	
#28	0.049~0.136	∅0.78~1.02	0.49~0.54	0.78~0.84	1.18~1.28	0.81~0.91
#30			0.46~0.51		1.08~1.18	

REV	DATE	MODIFICATION DESCRIPTION	CHANGE	OPERATION	DRAW	DATE	SCALE	FIT	PART NO.
02	2023/02/20	1. ADD BRIGHT TIN	XueLei	X.X ±0.40	XueLei	2023/02/20	UNIT	mm	WF1258-TPXX01
01	2022/06/17	1. ADD TABLE 1, 2. ADD DRAWING DETAILS	XueLei	X.XX ±0.25	CHECK	DATE	SIZE	A4	TITLE: 1. 25mm Housing Terminal, M Type, Crimp Type
0	2022/05/18	NEW	—	X.XXX ±0.15	APPROVE	DATE	SHEET	2/2	Customer NO.
				Angle ± 3'			PROJ.	⌀ ↯	
				DIM TOL					

WCON
Http: www.wcon.com

WCON-Dongguan Tel: +86 769 85358920
WCON-Kunshan Tel: +86 512 57468408
Fax: +86 769 85358915
E-mail: sales@wcon.com