

HSF

NOTE:
 Rated Current: See Table 1
 Rated Voltage: 50 V AC(RMS)/DC;
 Contact Resistance: 20mΩ Max;
 Withstanding Voltage: 500V AC;
 Insulation Resistance: 100MΩ Min;
 Temperature Range: -40°C ~ +125°C
 (Includes the terminal temperature rise)

Insulator Material: PBT,G.F,UL94 V-0,BK

Ordering Information

WF1258- 2 H XX B 0 1 W

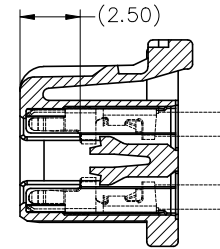
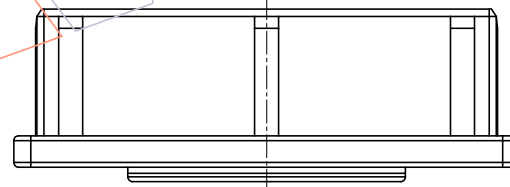
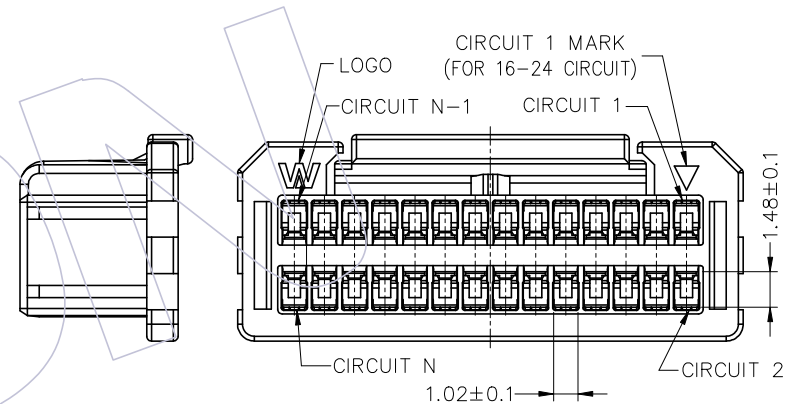
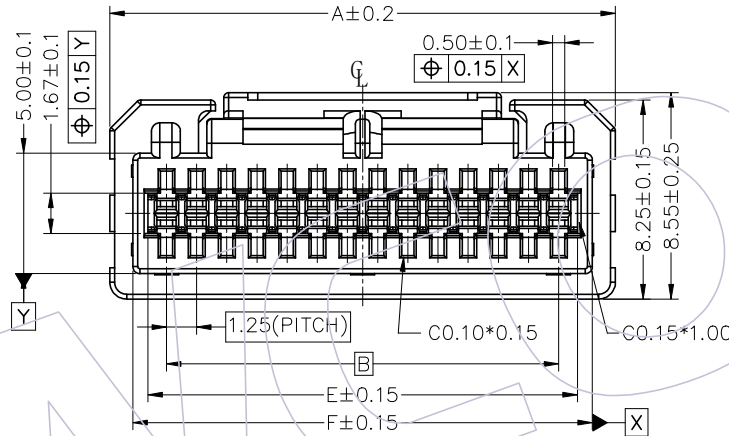
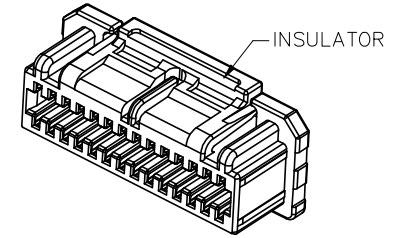
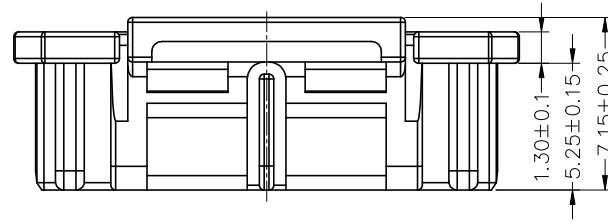
2=DUAL ROW

NO. OF CIRCUITS PER ROW
 04=4 CIRCUITS

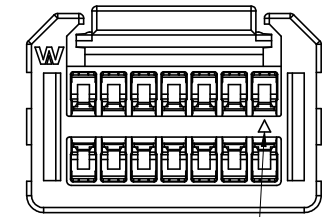
COLOR:
 B=BLACK

PACKING:
 0=PE BAG

W=WITH "WCON" LOGO



TERMINAL ASSEMBLY DRAWING



CIRCUIT 1 MARK (FOR 8-14 CIRCUIT)

TABLE 1: △
 CURRENT DERATING AT 23°C
 (MATED WITH WF1258 WAFER(Dual Row) & HOUSING TERMINAL FOR TEST)

AWG#	Amps(A) Max				
	2X4 CIRCUITS	2X8 CIRCUITS	2X12 CIRCUITS	2X16 CIRCUITS	2X21 CIRCUITS
26	2.4	1.8	1.7	1.6	1.5
28	2.1	1.6	1.5	1.4	1.3
30	1.8	1.4	1.3	1.2	1.1

REV	DATE	MODIFICATION DESCRIPTION	CHANGE	OPERATION		DRAW	DATE	SCALE	FIT	PART NO.
				X.X	±0.40					
1	2022/06/17	1. ADD TABLE 1, 2. ADD DRAWING DETAILS	XueLei	X.XX	±0.25	XueLei	2022/06/17	UNIT	mm	WF1258-2HXXB01W
0	2022/05/18	NEW	—	X.XXX	±0.15	CHECK	DATE	SIZE	A4	TITLE: 1. 25mm HOUSING, M Type, Dual Row
				Angle	± 3'	APPROVE	DATE	SHEET	1/3	Customer NO.
				DIM	TOL			PROJ.	⌀	

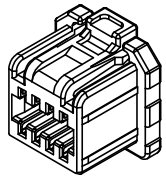
WCON

Http: www.wcon.com

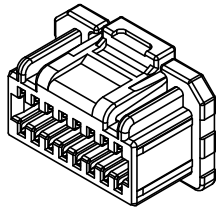
WCON-Dongguan Tel: +86 769 85358920
 WCON-Kunshan Tel: +86 512 57468408
 Fax: +86 769 85358915
 Fax: +86 512 57468468
 E-mail: sales@wcon.com
 E-mail: salesks@wcon.com

HSF

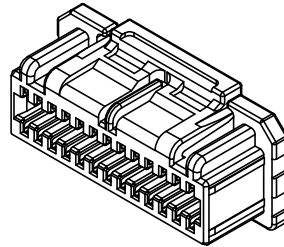
PRODUCT SHAPE



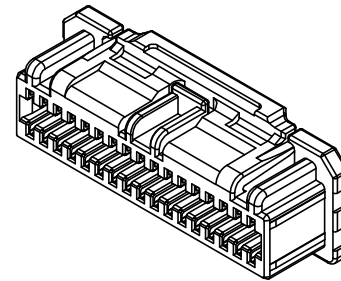
2X(4~7) CIRCUIT



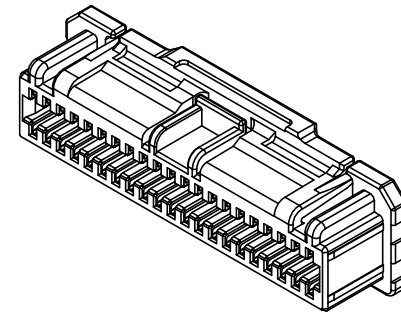
2X(8~12) CIRCUIT



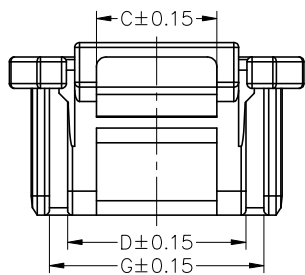
2X(13~16) CIRCUIT



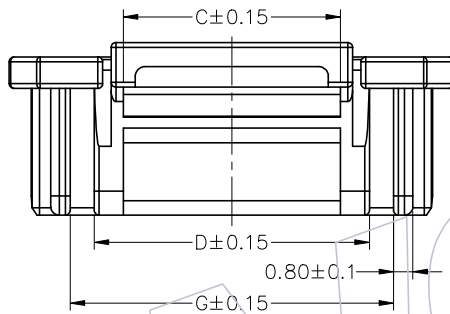
2X(17~20) CIRCUIT



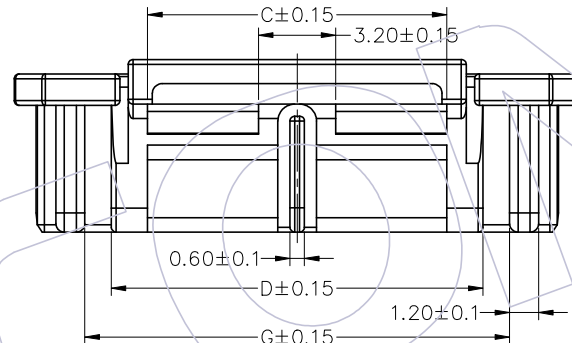
2 X21 CIRCUIT



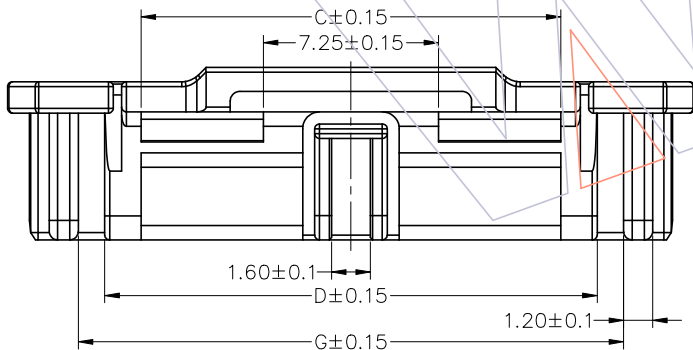
2X(4~7) CIRCUIT



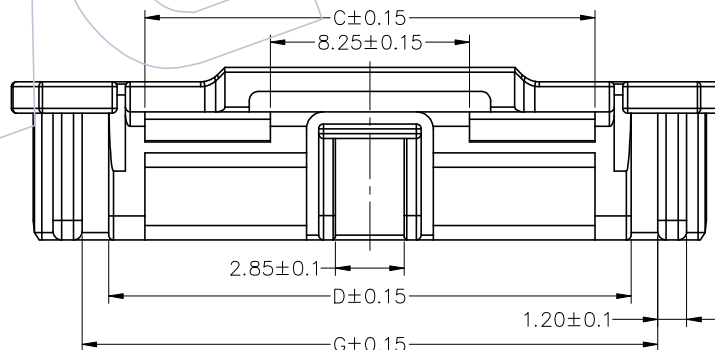
2X(8~12) CIRCUIT



2X(13~16) CIRCUIT



2X(17~20) CIRCUIT



2X21 CIRCUIT

Circuit	A	B	C	D	E	F	G
2x4	8.45	3.75	1.94	3.64	5.30	6.54	5.14
2x5	9.70	5.00	3.19	4.89	6.55	7.79	6.39
2x6	10.95	6.25	4.44	6.14	7.80	9.04	7.64
2x7	12.20	7.50	4.99	7.39	9.05	10.29	8.89
2x8	13.45	8.75	4.00	6.40	10.30	11.54	8.40
2x9	14.70	10.00	5.25	7.65	11.55	12.79	9.65
2x10	15.95	11.25	6.50	8.90	12.80	14.04	10.90
2x11	17.20	12.50	7.75	10.15	14.05	15.29	12.15
2x12	18.45	13.75	9.00	11.40	15.30	16.54	13.40
2x13	19.70	15.00	8.65	11.65	16.55	17.79	13.85
2x14	20.95	16.25	9.90	12.90	17.80	19.04	15.10
2x15	22.20	17.50	11.15	14.15	19.05	20.29	16.35
2x16	23.45	18.75	12.40	15.40	20.30	21.54	17.60
2x17	24.70	20.00	13.65	16.65	21.55	22.79	18.85
2x18	25.95	21.25	14.90	17.90	22.80	24.04	20.10
2x19	27.20	22.50	16.15	19.15	24.05	25.29	21.35
2x20	28.45	23.75	17.40	20.40	25.30	26.54	22.60
2x21	29.70	25.00	18.65	21.65	26.55	27.79	23.85

REV	DATE	MODIFICATION DESCRIPTION	CHANGE	OPERATION		DRAW	DATE	SCALE	FIT	PART NO.
				X.X	±0.40					
1	2022/06/17	1. ADD TABLE 1, 2. ADD DRAWING DETAILS	XueLei	X.XX	±0.25	XueLei	2022/06/17	UNIT	mm	WF1258-2HXXB01W
0	2022/05/18	NEW	—	X.XXX	±0.15	CHECK	DATE	SIZE	A4	TITLE: 1. 25mm HOUSING, M Type, Dual Row
				Angle	± 3'	APPROVE	DATE	SHEET	2/3	Customer NO.
				DIM	TOL			PROJ.	⌀	

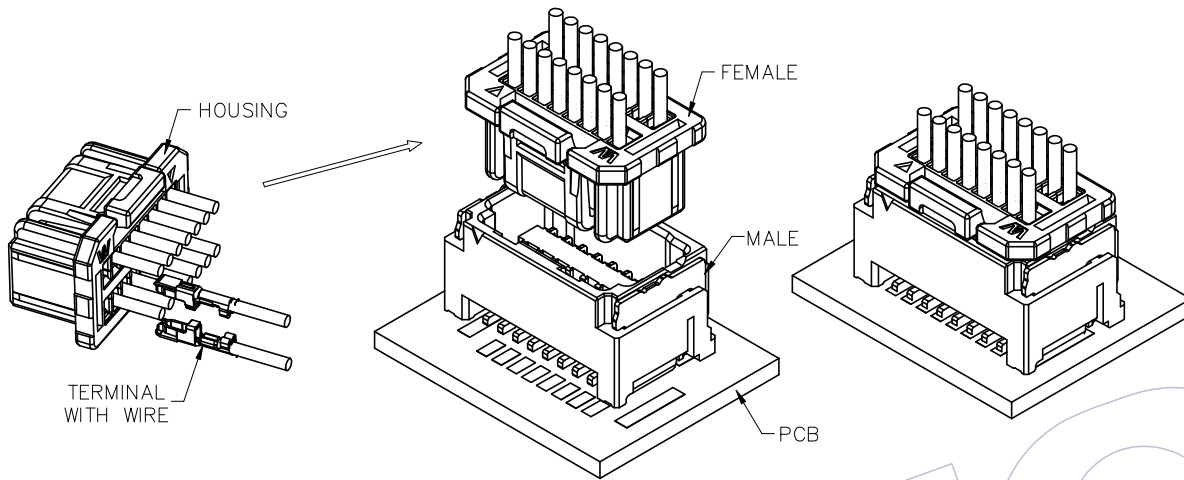
WCON

Http: www.wcon.com

WCON-Dongguan Tel: +86 769 85358920
 WCON-Kunshan Tel: +86 512 57468408
 Fax: +86 769 85358915
 Fax: +86 512 57468468
 E-mail: sales@wcon.com
 E-mail: salesks@wcon.com

HSF

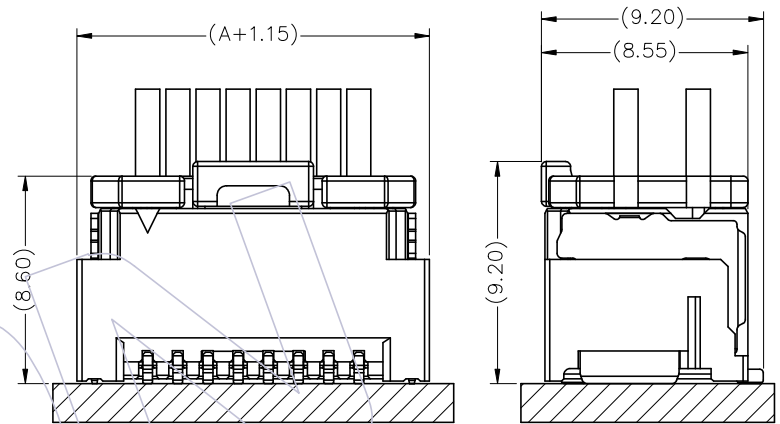
△ MATED WITH WF1258 WAFER (180° SMT TYPE)



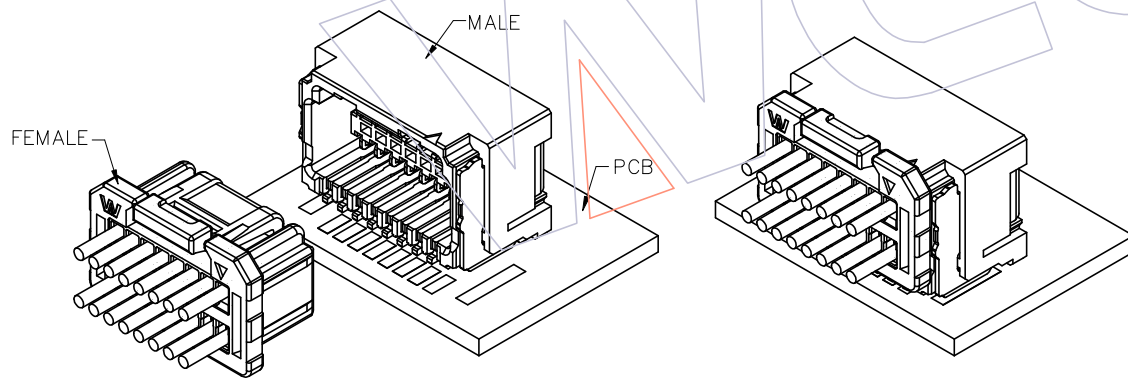
TERMINAL INSERT HOUSING

EXPLODED VIEW

MATING VIEW

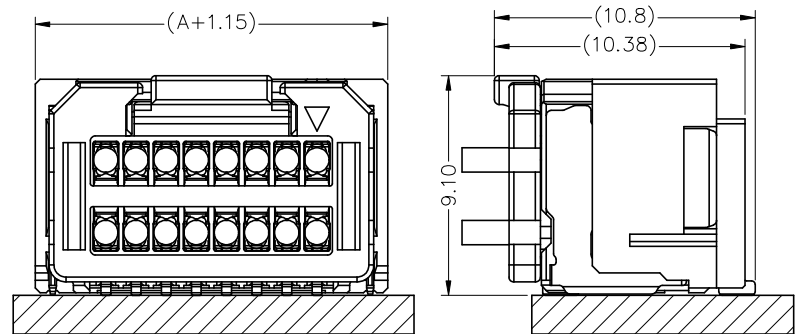


△ MATED WITH WF1258 WAFER (90° SMT TYPE)



EXPLODED VIEW

MATING VIEW



REV	DATE	MODIFICATION DESCRIPTION	CHANGE	OPERATION		DRAW	DATE	SCALE	FIT	PART NO.
				X.X	±0.40					
1	2022/06/17	1. ADD TABLE 1, 2. ADD DRAWING DETAILS	XueLei	X.XX	±0.25	XueLei	2022/06/17	UNIT	mm	WF1258-2HXXB01W
0	2022/05/18	NEW	—	X.XXX	±0.15		DATE	SIZE	A4	TITLE: 1. 25mm HOUSING, M Type, Dual Row
				Angle	± 3'		DATE	SHEET	3/3	Customer NO.
				DIM	TOL			PROJ.	⌀	

WCON

Http: www.wcon.com

WCON-Dongguan Tel: +86 769 85358920 Fax: +86 769 85358915 E-mail: sales@wcon.com	WCON-Kunshan Tel: +86 512 57468408 Fax: +86 512 57468468 E-mail: salesks@wcon.com
---	--