

HSF

NOTES:

- 1.Voltage Rating: 630V AC/DC;
- 2.Withstand Voltage: 3500V AC;
- 3.Insulation Resistance: 1000MΩ Min;
- 4.Operating Temperature:
-40°C to +125°C;
- 5.Insulator Material: PBT,
UL94V-0,BLACK;
- 6.Panel Attachment recommendation
M3 SCREW:

Ordering Information

WD10160-1 HG XX B O OX W

1=Single Row

HG= Panel
Housing

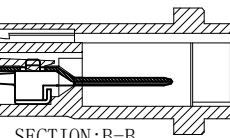
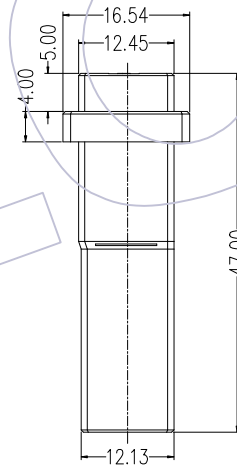
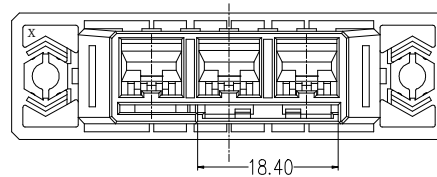
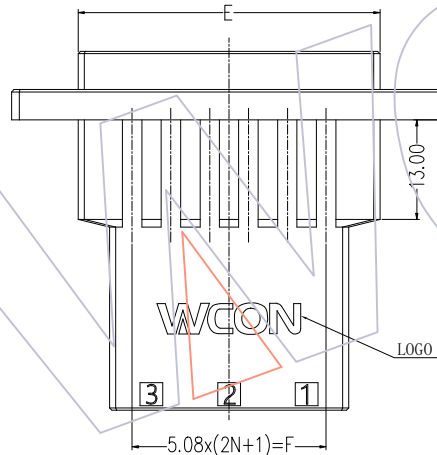
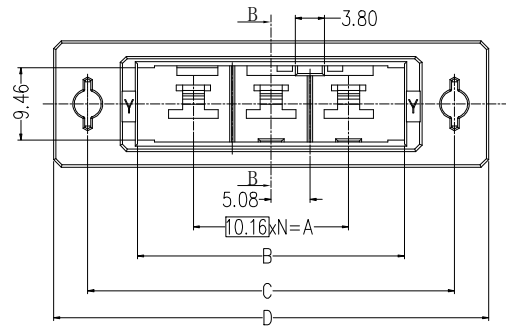
No.of Pins:
02=2P; 03=3P; 04=4P; 06=6P

Color:
B=Black

PACKING: PE Bag

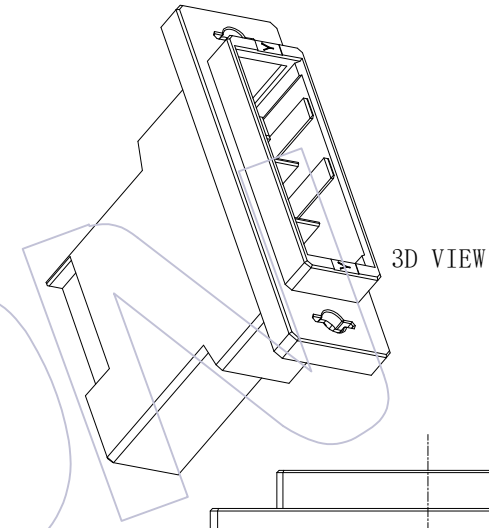
CODE OF KEYING
01=X; 02=Y

Blank=Without "WCON" Logo
W=With "WCON" Logo

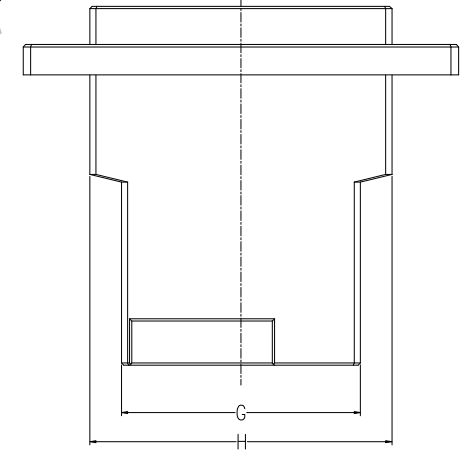


SECTION: B-B
SCALE: 1:1

(Inserting plastic into the wiring terminal)



3D VIEW



REV	DATE	MODIFICATION DESCRIPTION	CHANGE	OPERATION		DRAW shi chun	DATE 2022.09.10	SCALE UNIT	FIT mm inch	PART NO. WD10160-1HGXXB00X(W)	TITLE: 10.16mm Dyn Receptacle, Panel Type Plastic, Single Row	 Http: www.wcon.com	
				X.X	±0.40								
0	2022.09.10	NEW		X.XX	±0.25	APPROVE	DATE	SHEET 1/3	Fax: +86 769 85358915	E-mail: sales@wcon.com	Fax: +86 512 57468408	Tel: +86 512 57468408	
				X.XXX	±0.15						DIM	TOL	PROJ.