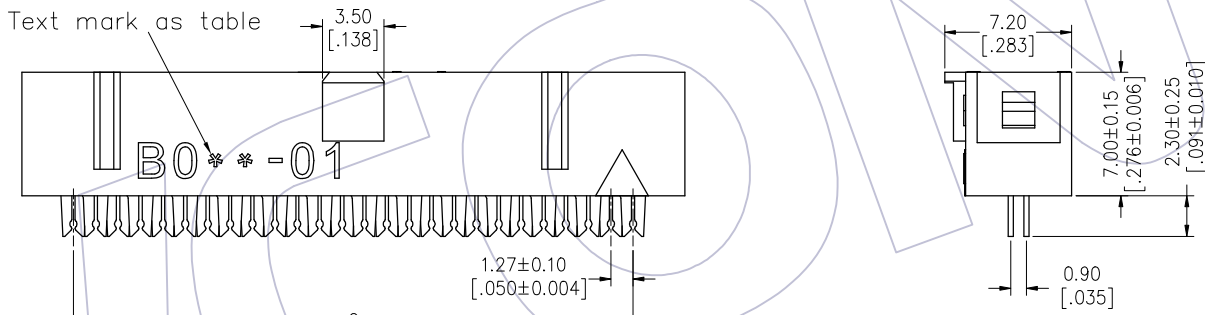
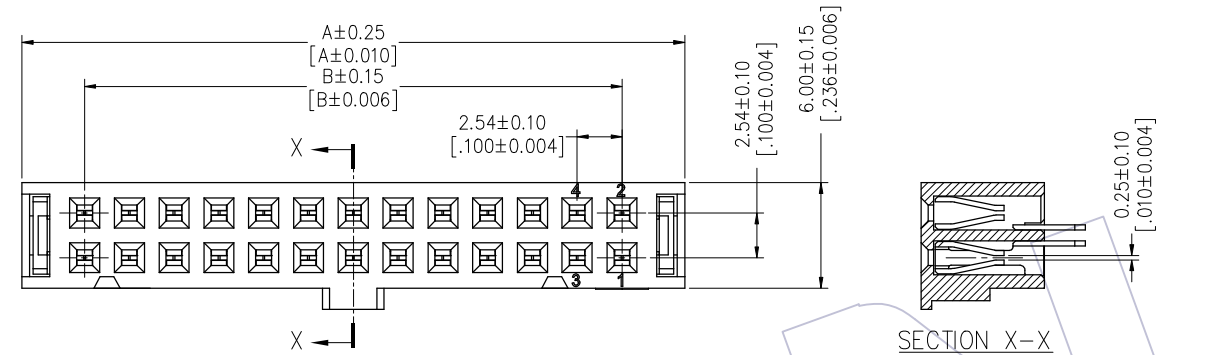


HSF

NOTES:
 Rated Current: 1.0AMP.
 Contact Resistance: 15mΩ Max.
 Withstand Voltage: 500V AC/DC
 Insulation Resistance: 1000MΩ Min.
 Operation Temperature: -55℃ to +105℃

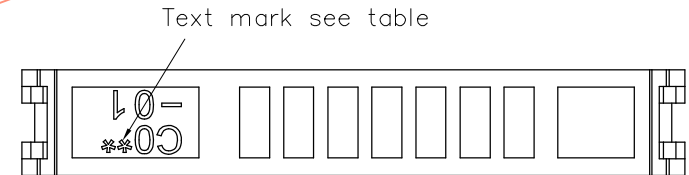
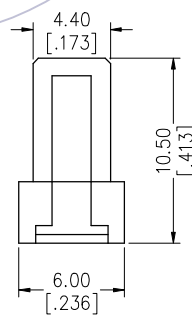
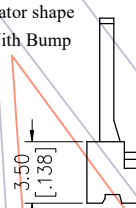
Contact Material: Phosphor Bronze(C5191)
 Contact Plating: Sn and Au over Ni
 Main Body Material: PBT+30%G.F
 Cover Material: PBT+30%G.F



Ordering Information

5214 - XX U P SX B W 01

No. of Pins: 06-60pin
 Terminal Material: P: Phosphor Bronze
 Insulator Colour: B: Black
 Insulator shape: W: With Bump
 Contact Plating:
 S0=Gold Flash/Ni
 S3=10u"Gold/Ni
 S4=15u"Gold/Ni
 S5=30u"Gold/Ni
 SN= Tin



		60	80.77	73.66	74.93
		50	68.07	60.96	62.23
		40	55.37	48.26	49.54
B034-01	C034-01	34	47.75	40.64	41.91
		30	42.67	35.56	36.83
B026-01	C026-01	26	37.59	30.48	31.75
		24	35.05	27.94	29.21
B020-01	C020-01	20	29.97	22.86	24.13
B016-01	C016-01	16	24.89	17.78	19.05
B014-01	C014-01	14	22.35	15.24	16.51
HOUSING TEXT MARK	COVER TEXT MARK	POS.	A	B	C

Text mark see table

OPERATION	DRAW	DATE	SCALE	Fit	PART NO.
x.x ±0.40	JYHuang	2014.12.31	UNIT	mm	5214-XXUPSXBW01
x.xx ±0.25	CHECK	DATE	SIZE	A4	TITLE:
x.xxx ±0.15	APPROVE	DATE	SHEET	1/1	2.54Pitch IDC SOCKET
Angle ± 3'			PROJ.	⌀	Customer NO.
DIM TOL					

A0	2014/12/31	NEW	
REV	DATE	MODIFICATION DESCRIPTION	CHANGE

WCON
 Http: www.wcon.com
 WCON-Dongguan Tel: +86 769 85358920 Fax: +86 769 85358915 E-mail: sales@wcon.com
 WCON-Kunshan Tel: +86 512 57468408 Fax: +86 512 57468468 E-mail: salesks@wcon.com