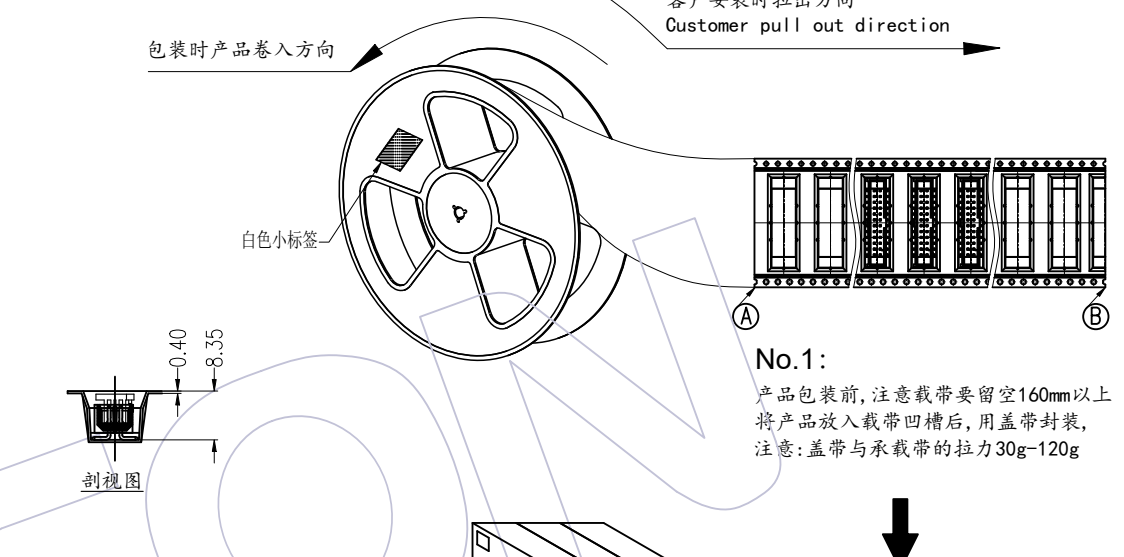
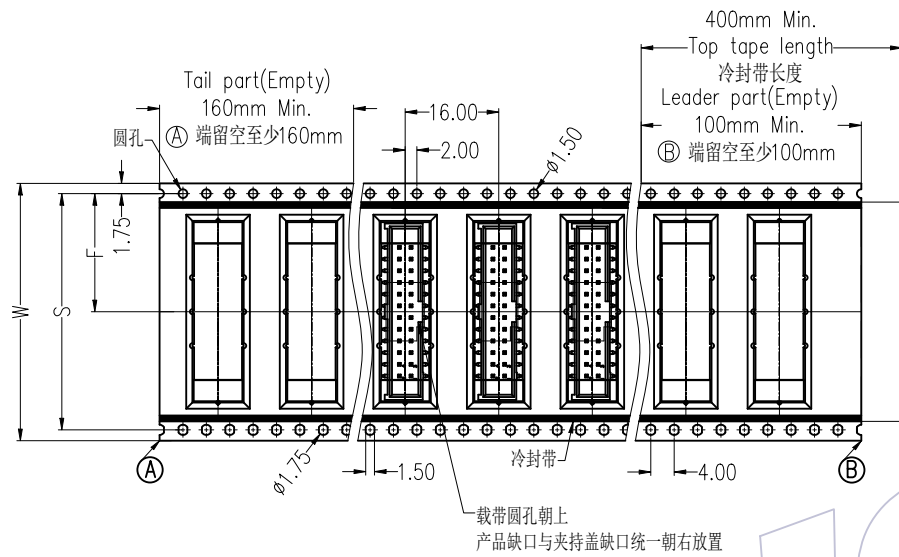
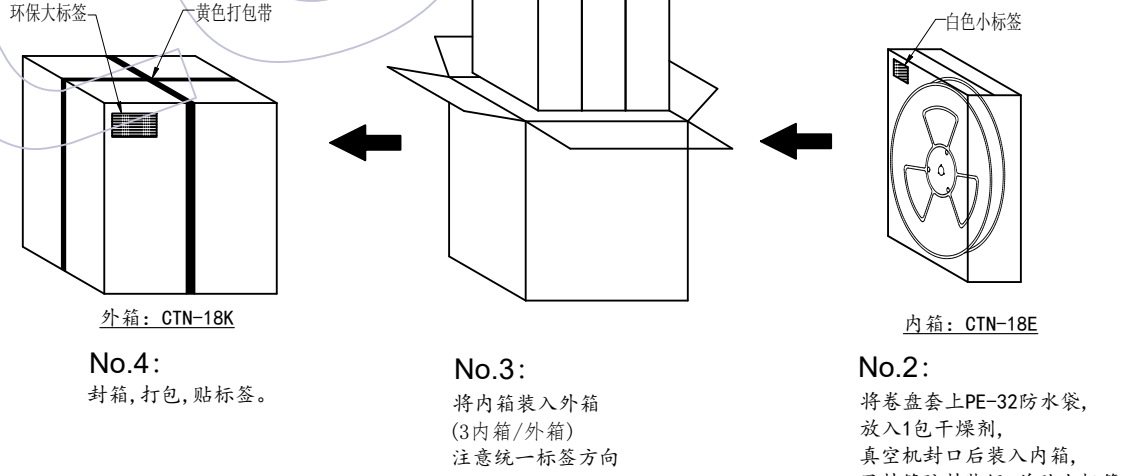


HSF



PIN	载带料号	W	S	F	PCS/Reel	PCS/内箱	PCS/外箱
10	TR3124-10G3201	32.0±0.30	28.40±0.15	14.20±0.15	450	900	2700
14	TR3124-MN014M07801	44.0±0.30	40.40±0.15	20.20±0.15	450	900	2700
16	TR3124-MN016M07801	44.0±0.30	40.40±0.15	20.20±0.15	450	900	2700
20	TR3124-MN020M07801	44.0±0.30	40.40±0.15	20.20±0.15	450	900	2700
24	TR3124-MN024M07801	44.0±0.30	40.40±0.15	20.20±0.15	450	900	2700
26	TR3124-MN026M07801	56.0±0.10	52.40±0.15	26.20±0.15	450	450	1350
30	TR3124-MN030M07801	56.0±0.10	52.40±0.15	26.20±0.15	450	450	1350
34	TR3124-MN034M07801	56.0±0.10	52.40±0.15	26.20±0.15	450	450	1350
10	TR3124-MN010M07801	72.0±0.30	68.40±0.15	34.20±0.15	450	450	1350
44	TR3124-MN044M07801	72.0±0.30	68.40±0.15	34.20±0.15	450	450	1350
50	TR3124-MN050M07801	72.0±0.30	68.40±0.15	34.20±0.15	450	450	1350
60	TR3124-MN060M07801	88.0±0.30	84.40±0.15	42.20±0.15	450	450	1350



变更记录	版次	日期	变更说明	变更	核准
REV	DATE	MODIFICATION DESCRIPTION		CHANGE	APPROVE
A0	2022/06/09	NEW		-----	-----

工程图	绘图	蔡欢	2022/06/09	SCALE	FIT	WCON WCON ELECTRONICS (GUANGDONG) CO., LTD 料号 PART NO. 3124-XXMXXBK00R1 品名 TITLE: 2.00 Box Header, XXP, SMT, Long Type, W/T CAP H=4.8, L=8.2/7.8(0.7)/3.0 包装规范
ENGINEERING	DRAW			UNIT	mm	
X.X	±0.30	设计		SIZE	A4	
X.XX	±0.20	审核		SHEET	1/1	
X.XXX	±0.10	核准		PROJ.		
Angle	± 2'	核准				
DIM	TOL	核准				