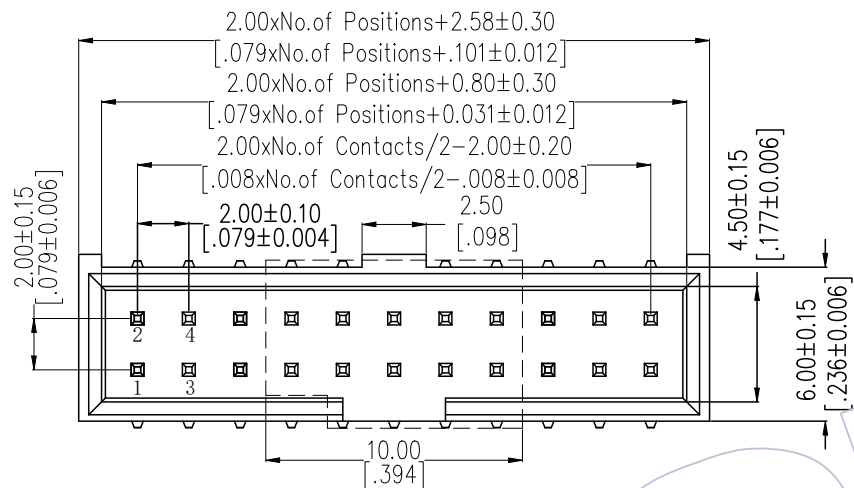


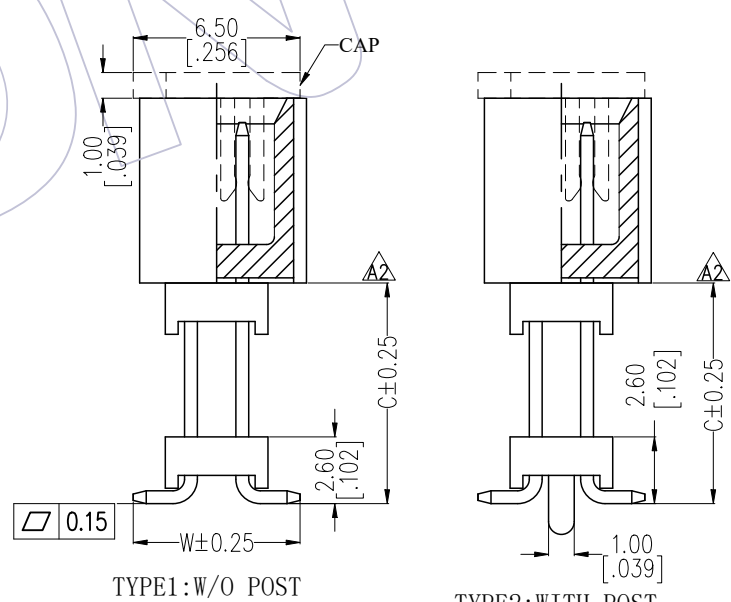
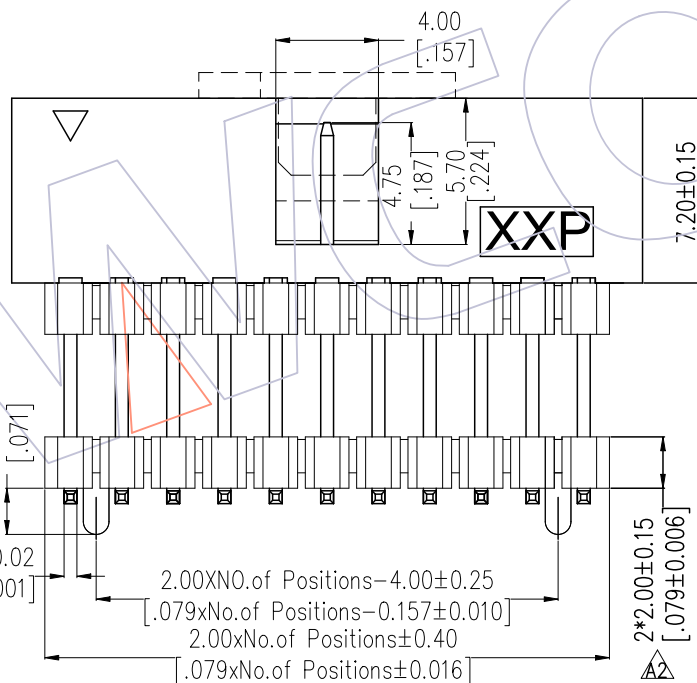
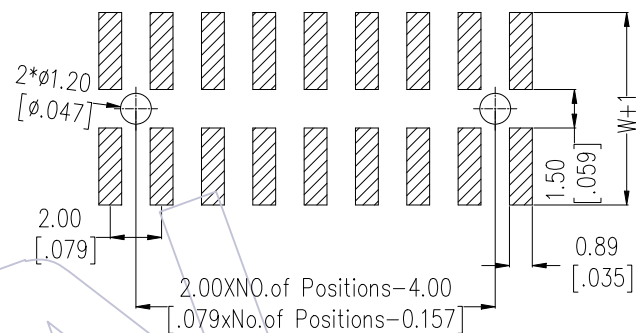
HSF

NOTES:
 Current Rating: 2.0AMP
 Contact Resistance: 20mΩ Max
 Withstand Voltage: 500V AC/DC
 Insulation Resistance: 1000MΩ Min
 Operation Temperature: -40°C to +105°C

Contact Material: Brass
 Contact plating: Au Or Sn over Ni
 Insulator Material: PA9T G.F UL94V-0



Recommended P.C.B Layout(Top Side)
 (PCB BOARD TOLERANCE±0.05)



TYPE1: W/O POST

A3	PIN(PerRow)	10-20P	24-40P	44-60P
	M	0.10	0.12	0.15

Ordering Information

3123-XX M XX B D00 X X

- No. of Pins: 10 30, 14 34, 16 40, 20 44, 24 50, 26 60
- Contact Plating: G0=Gold Flash, G3=10u"Gold, G4=15u"Gold, G5=30u"Gold, S0=Gold Flash/Tin, S3=10u"Gold/Tin, S4=15u"Gold/Tin, S5=30u"Gold/Tin, SN=Tin
- Color Insulator: B=Black
- Series No.
- Packing: T=Tube, P=Tube+CAP, R=Tape&REEL+CAP

Item	Pitch	Mating	Dim(W)	Dim(C)
Standard	2.00	2263	6.50	
Alternate				

REV	DATE	MODIFICATION DESCRIPTION	CHANGE	DIM	TOL	APPROVE	DATE	SCALE	FIT	PART NO.
A3	2023/02/16	Add Flatness	A3	DuYing	OPERATION	DuYing	2023/02/16	UNIT	mm	3123-XXMXXBD00XX
A2	2020/09/23	Add Housing	A2	DuYing	x.xx ±0.40	DuYing	2023/02/16	SIZE	A4	TITLE:
A1	2018/03/12	Add the CAP		Ding	x.xx ±0.25	CHECK	DATE	SHEET	1/1	2.00 BOX HEADER SMT
A0	2012/09/24	NEW		-----	x.xxx ±0.15	APPROVE	DATE	PROJ.		H=7.2 ADD HOUSING
					Angle ± 3°					Customer NO.

WCON

Http: www.wcon.com
 WCON-Dongguan Tel: +86 769 85358920
 WCON-Kunshan Tel: +86 512 57468408
 Fax: +86 769 85358915
 Fax: +86 512 57468468
 E-mail: sales@wcon.com
 E-mail: salesks@wcon.com