

# HSF

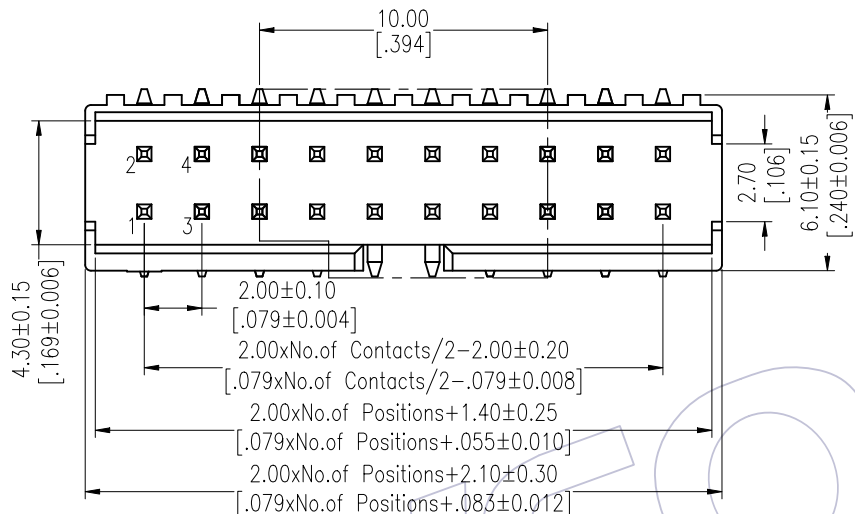
NOTES:  
 Current Rating: 2.0AMP  
 Contact Resistance: 20mΩ Max  
 Withstand Voltage: 500V AC/DC  
 Insulation Resistance: 1000MΩ Min  
 Operation Temperature: -40°C to +105°C

Contact Material: Brass  
 Contact plating: Au Or Sn over Ni  
 Insulator Material: PA9T+30%G.F UL94V-0

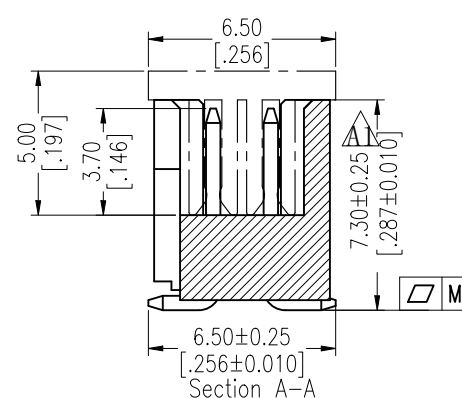
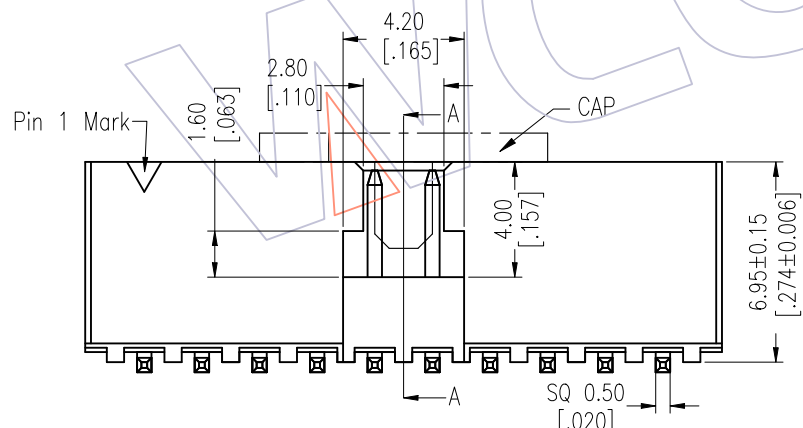
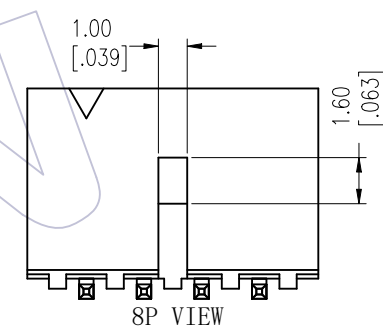
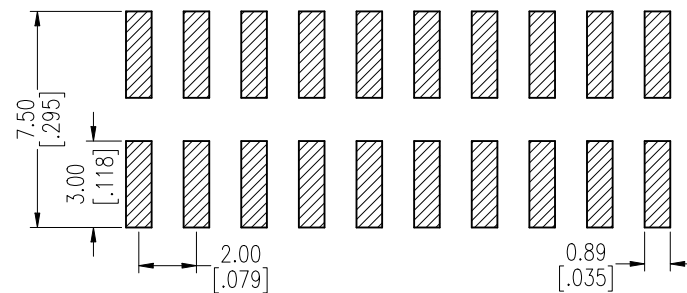
## Ordering Information

3122-XX M XX B K00 X 2

No. of Pins 8P-64P	Contact Plating G0=Gold Flash G3=10u"Gold G4=15u"Gold G5=30u"Gold S0=Gold Flash/Tin S3=10u"Gold/Tin S4=15u"Gold/Tin S5=30u"Gold/Tin SN=Tin	Color Insulator B=Black	Packing T=Tube R=Reel
-----------------------	---	----------------------------	-----------------------------



Recommended P.C.B Layout (Top Side)  
 (PCB BOARD TOLERANCE ± 0.05)



Item	Pitch	Mating
Standard	2.00	5224
Alternate		

△A3	PIN(PerRow)	8-20P	22-40P	42-64P
	M	0.10	0.12	0.15

REV	DATE	MODIFICATION DESCRIPTION	CHANGE	OPERATION	DRAW	DATE	SCALE	FIT	PART NO.
A2	2023/02/16	Add Flatness	△A2	DuYing	DuYing	2023/02/16	UNIT	mm	3122-XXMXXBK00X2
A1	2015/03/16	Modify	△A1	Allen	CHECK	DATE	SIZE	A4	TITLE: 2.00 BOX HEADER SMT
A0	2012/09/24	NEW	-----		APPROVE	DATE	SHEET	1/1	H=6.95 "F" TYPE
				Angle			PROJ.		Customer NO.
				DIM	TOL				

**WCON**  
 Http: www.wcon.com  
 WCON-Dongguan Tel: +86 769 85358920  
 WCON-Kunshan Tel: +86 512 57468408  
 Fax: +86 769 85358915  
 Fax: +86 512 57468468  
 E-mail: sales@wcon.com  
 E-mail: salesks@wcon.com