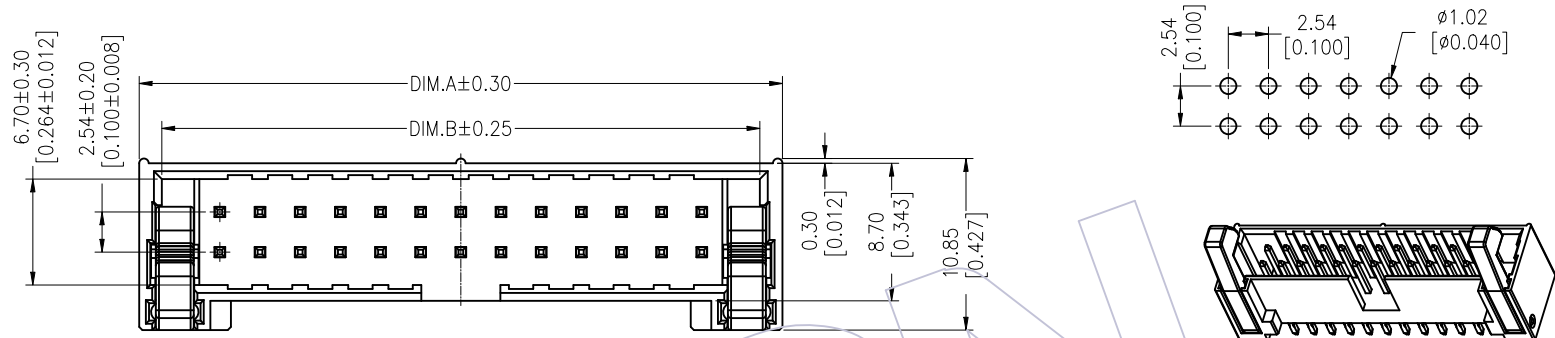


# HSF

NOTES:  
 Rated Current:3.0AMP  
 Contact Resistance:20mΩ max  
 Withstand Voltage:500V AC/DC  
 Insulation Resistance:1000MΩ min  
 Operation Temperature:-40°C to +105°C

Housing Material:PBT+30%GF(UL94V-0)  
 Latch Material:PA9T+30%GF(UL94V-0)  
 Contact Material:Brass  
 Contact plating:Au or Sn over Ni Plated  
 Fixed Axle Material:Brass  
 Fixed Axle plating:Ni Plated

Recommended P. C. B Layout (Top Side)  
 (PCB BOARD TOLERANCE ±0.05 T=1.6/2.0)

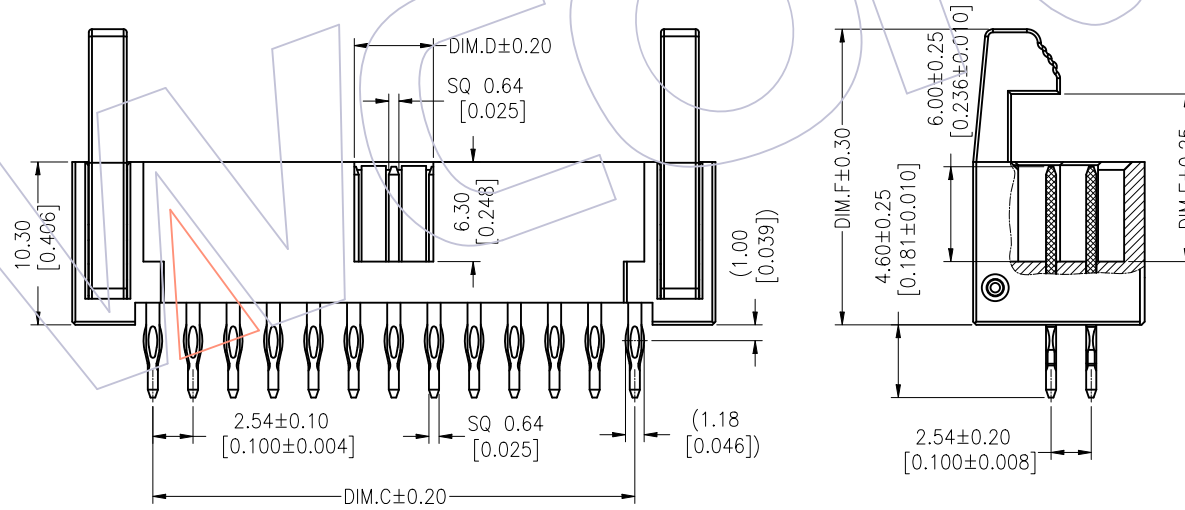


3D VIEW(REF.)  
 SCALE 1:2

## Ordering Information

3212 - XX P XX B X X 1

No. of Pins      Contact Plating      Insulator Color      Latch Type      Packing  
 S0=Gold Flash/Tin      B=Black      L=Long Latch      T=Tube  
 S1=3u"Gold/Tin           S=Short Latch      A=Tray  
 S2=5u"Gold/Tin  
 S3=10u"Gold/Tin  
 S4=15u"Gold/Tin  
 S5=30u"Gold/Tin



PART NO.	DIM.E	DIM.F
3212-XXPXXBLX1	14.60	22.10
3212-XXPXXBSX1	10.60	18.70

No. Of POSITION	DIM.A	DIM.B	DIM.C	DIM.D
10	20.36	17.50	10.16	5.00
14	25.44	22.58	15.24	5.00
16	27.98	25.12	17.78	5.00
20	33.06	30.20	22.86	5.00
24	38.14	35.28	27.94	5.00
26	40.68	37.82	30.48	5.00
30	45.76	42.90	35.56	5.00
34	50.84	47.98	40.64	5.00
40	58.46	55.60	48.26	5.00
50	71.16	68.30	60.96	5.00
60	83.86	81.00	73.66	5.00
64	88.94	86.08	78.74	5.00

REV	DATE	MODIFICATION DESCRIPTION	CHANGE	OPERATION	DRAW	DATE	SCALE	FIT	PART NO.
A0	2013/10/12	NEW		X.X ±0.40	Tsingnsn	2013/10/12	UNIT mm	A4	3212-XXPXXBXX1
				X.XX ±0.25	CHECK	DATE	SIZE	1/1	TITLE: 2.54mm EJECTOR HEADER PRESS FIT DIP TYPE
				X.XXX ±0.15	APPROVE	DATE	SHEET		Customer NO.
				Angle ± 3'			PROJ.		
				DIM TOL					

**WCON**  
 Http: www.wcon.com  
 WCON-Dongguan      WCON-Kunshan  
 Tel: +86 769 85358920      Tel: +86 512 57468408  
 Fax: +86 769 85358915      Fax: +86 512 57468468  
 E-mail: sales@wcon.com      E-mail: salesks@wcon.com