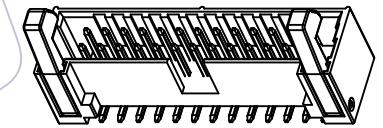
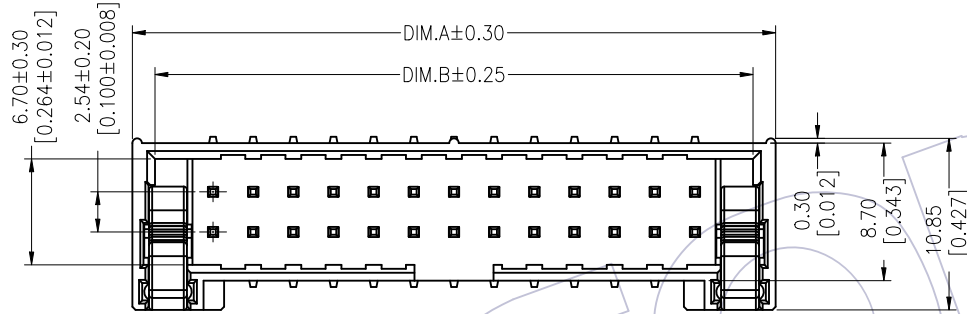
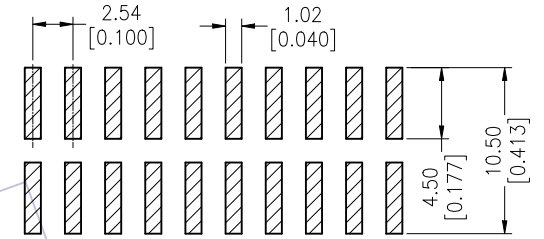


HSF

NOTES:
 Rated Current:3.0AMP
 Contact Resistance:20mΩ max
 Withstand Voltage:500V AC/DC
 Insulation Resistance:1000MΩ min
 Operation Temperature:-40°C to +105°C

Housing Material:PA9T+30%GF(UL94V-0)
 Latch Material:PA9T+30%GF(UL94V-0)
 Contact Material:Brass
 Contact plating:Au or Sn over Ni Plated
 Fixed Axle Material:Brass
 Fixed Axle plating:Ni Plated

Recommended P. C. B Layout (Top Side)
 (PCB BOARD TOLERANCE ±0.05)

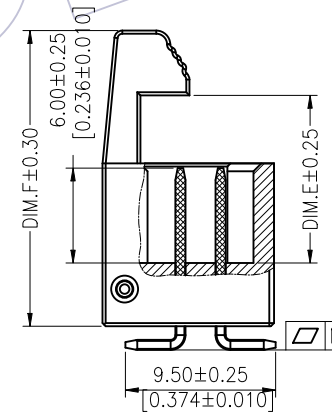
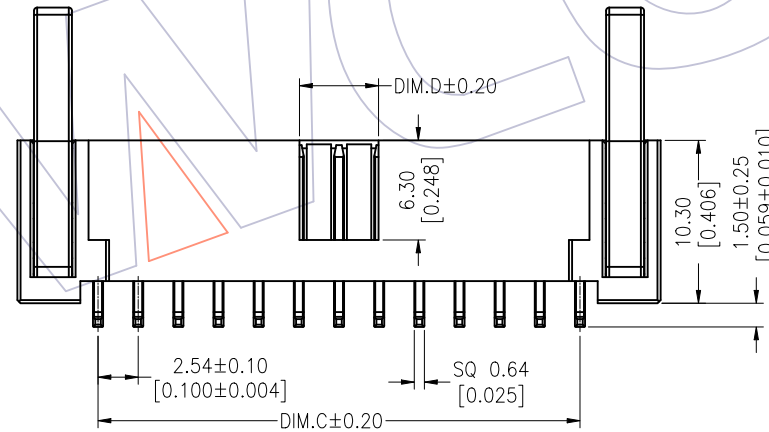


3D VIEW(REF.)
 SCALE 1:2

Ordering Information

3212 - XX M XX B X X 1

No. of Pins Contact Plating Insulator Color Latch Type Packing
 S0=Gold Flash/Tin B=Black L=Long Latch T=Tube
 S1=3u"Gold/Tin S=Short Latch A=Tray
 S2=5u"Gold/Tin
 S3=10u"Gold/Tin
 S4=15u"Gold/Tin
 S5=30u"Gold/Tin



PART NO.	DIM.E	DIM.F
3212-XXMXXBLX1	14.60	22.10
3212-XXMXXBSX1	10.60	18.70

No. Of POSITION	DIM.A	DIM.B	DIM.C	DIM.D
6	15.28	12.42	5.08	2.30
8	17.82	14.96	7.62	2.30
10	20.36	17.50	10.16	5.00
12	22.90	20.04	12.70	5.00
14	25.44	22.58	15.24	5.00
16	27.98	25.12	17.78	5.00
20	33.06	30.20	22.86	5.00
24	38.14	35.28	27.94	5.00
26	40.68	37.82	30.48	5.00
30	45.76	42.90	35.56	5.00
34	50.84	47.98	40.64	5.00
40	58.46	55.60	48.26	5.00
50	71.16	68.30	60.96	5.00
60	83.86	81.00	73.66	5.00
64	88.94	86.08	78.74	5.00

PIN(PerRow)	2-10P	11-20P
M	0.10	0.15

REV	DATE	MODIFICATION DESCRIPTION	CHANGE	OPERATION		DRAW DuYing	DATE 2023/02/17	SCALE mm	FIT inch	PART NO. 3212-XXMXXBXX1
				X.X	±0.40					
A1	2023/02/17	Add Flatness	DuYing	X.XX	±0.25	CHECK	DATE	UNIT	A4	TITLE: 2.54mm EJECTOR HEADER 180° SMT TYPE
A0	2013/10/24	NEW	Tsingsn	X.XXX	±0.15	APPROVE	DATE	SHEET	1/1	Customer NO.
				Angle	± 3'					
				DIM	TOL					

WCON

Http: www.wcon.com

WCON-Dongguan WCON-Kunshan
 Tel: +86 769 85358920 Tel: +86 512 57468408
 Fax: +86 769 85358915 Fax: +86 512 57468468
 E-mail: sales@wcon.com E-mail: salesks@wcon.com