

HSF

NOTES:

Rated Current:15.0 AMP
 Contact Resistance:8.0 milliohm Max
 Withstand Voltage:2000 V AC/DC
 Insulation Resistance:1000 Megohm min
 Operation Temperature:-40°C to +105°C

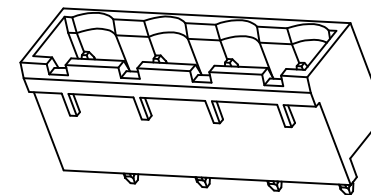
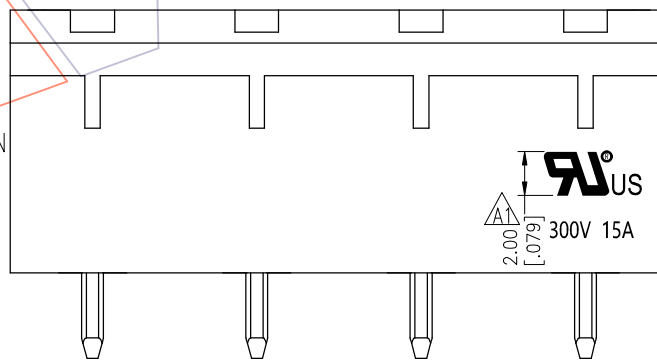
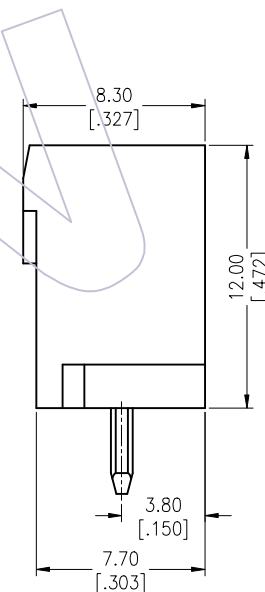
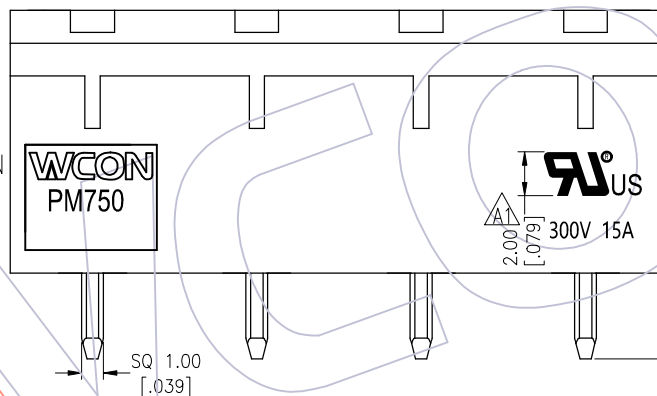
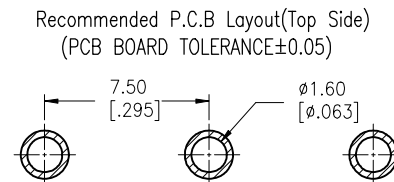
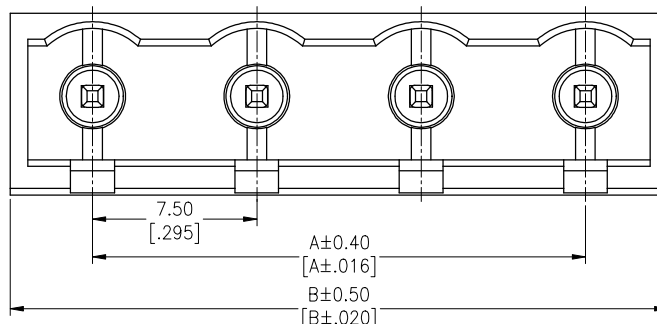
Housing Material:PA66+30%GF(UL94V-0)
 Contact Material:Brass
 Terminal Plating:
 Matte Tin Plated Over Nickel

Ordering Information:

P M 750- 1 S XX A SM 1 N

M=Male Pitch 750=7.50 No.of Pins 02-20P Color A=Green Contact Plated SM=Matte Tin Series No. Blank=W/T WCON N=W/O WCON

PIN	DIM.A	DIM.B	PIN	DIM.A	DIM.B
02	7.50	15.00	12	82.50	90.00
03	15.00	22.50	13	90.00	97.50
04	22.50	30.00	14	97.50	105.00
05	30.00	37.50	15	105.00	112.50
06	37.50	45.00	16	112.50	120.00
07	45.00	52.50	17	120.00	127.50
08	52.50	60.00	18	127.50	135.00
09	60.00	67.50	19	135.00	142.50
10	67.50	75.00	20	142.50	150.00
11	75.00	82.50			



REV	DATE	MODIFICATION DESCRIPTION	CHANGE	OPERATION		DRAW	DATE	SCALE	FIT	PART NO.
				x.X	±0.40					
A1	2021/02/23	ADD UL Logo;ADD W/O WCON SPEC&P/N	XSR	x.XX	±0.25	XSR	2021/02/23	UNIT	mm	PM750-1SXXASM1(N)
A0	2013/11/06	NEW		x.XXX	±0.15	CHECK	DATE	SIZE	A4	
				Angle	± 3'	APPROVE	DATE	SHEET	1/1	TITLE:
				DIM	TOL			PROJ.		7.50mm Pitch Male Pluggable Terminal Blocks
										Customer NO.

WCON

Http: www.wcon.com

WCON-Dongguan Tel: +86 769 85358920 Fax: +86 769 85358915 E-mail: sales@wcon.com

WCON-Kunshan Tel: +86 512 57468408 Fax: +86 512 57468468 E-mail: sales@wcon.com