

# HSF

**NOTES:**

Current Rating:10A  
 Voltage Rating:300V  
 Contact Resistance:8milliohm Max  
 Withstand Voltage:AC2000V  
 Insulation Resistance:1000Megohm Min  
 Operation Temperature:-40°C to +105°C

Housing Material:PA66+30%GF(UL94V-0)  $\triangle A4$   
 Contact Material:Brass

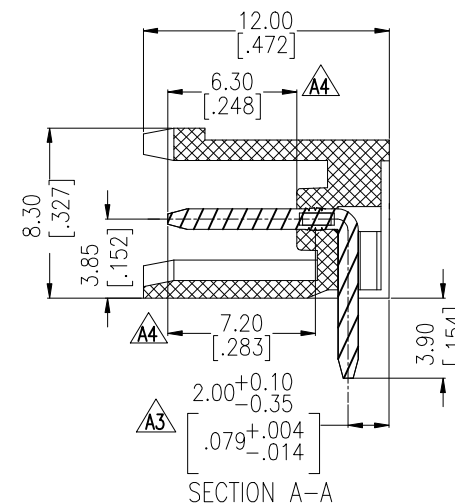
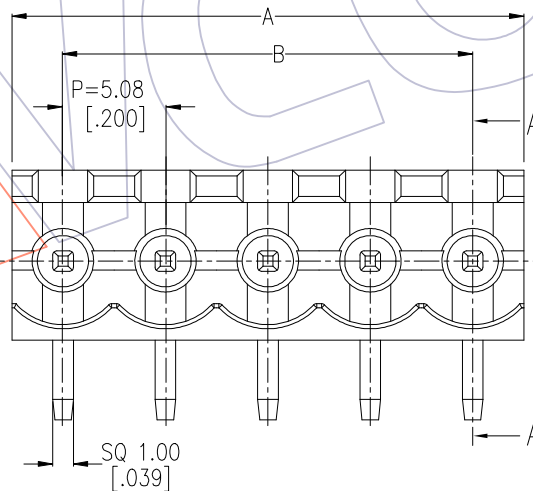
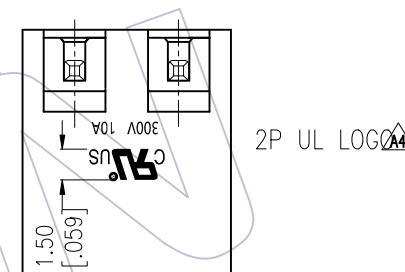
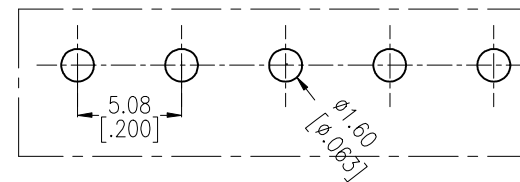
**Ordering Information:**

**P M 508 - 1 R XX X SM 3 N**

M=Male Pitch 508=5.08  
 Color A=Green B=Black G=Grey  
 No.of Pins 02-24P  
 Contact Plated SM=Matte Tin  
 Blank=W/T WCON N=W/O WCON



Recommended P.C.B Layout(Top Side)  
 (PCB BOARD TOLERANCE±0.05)



13P	66.04 ±0.30	60.96 ±0.30			
12P	60.96 ±0.30	55.88 ±0.30	24P	121.92 ±0.50	116.84 ±0.50
11P	55.88 ±0.30	50.80 ±0.30	23P	116.84 ±0.50	111.76 ±0.50
10P	50.80 ±0.30	45.72 ±0.30	22P	111.76 ±0.50	106.68 ±0.50
9P	45.72 ±0.30	40.64 ±0.30	21P	106.68 ±0.50	101.60 ±0.50
8P	40.64 ±0.30	35.56 ±0.30	20P	101.60 ±0.50	96.52 ±0.50
7P	35.56 ±0.20	30.48 ±0.20	19P	96.52 ±0.40	91.44 ±0.40
6P	30.48 ±0.20	25.40 ±0.20	18P	91.44 ±0.40	86.36 ±0.40
5P	25.40 ±0.20	20.32 ±0.20	17P	86.36 ±0.40	81.28 ±0.40
4P	20.32 ±0.20	15.24 ±0.20	16P	81.28 ±0.40	76.20 ±0.40
3P	15.24 ±0.20	10.16 ±0.20	15P	76.20 ±0.40	71.12 ±0.40
2P	10.16 ±0.20	5.08 ±0.10	14P	71.12 ±0.40	66.04 ±0.40
PIN	A	B	PIN	A	B

ITEM	Pitch	Mating
Standard	5.08	PF508
Alternate		

A4	2020/11/18	ADD UL LOGO & DIM; ADD W/O WCON SPEC & P/N: $\triangle A4$	XSR	OPERATION	DRAW	DATE	SCALE	FIT	PART NO.
A3	2017/12/29	Modify DIM. 2.0±0.2 to 2.0 <sup>+0.10</sup> / <sub>-0.35</sub> $\triangle A3$	XSR	x.X ±0.40	XSR	2020/11/18	UNIT	mm	PM508-1RXXXSM3(N) $\triangle A1 \triangle A4$
A2	2013/06/05	Modify The Housing Material $\triangle A2$	XSR	x.XX ±0.25	CHECK	DATE	SIZE	A4	TITLE:
A0	2011/06/08	NEW		x.XXX ±0.15			SHEET	1/1	5.08mm Pitch Male Pluggable Terminal Blocks
REV	DATE	MODIFICATION DESCRIPTION	CHANGE	Angle ± 3° DIM TOL	APPROVE	DATE	PROJ.		Customer NO.

## WCON

Http: www.wcon.com

WCON-Dongguan	WCON-Kunshan
Tel: +86 769 85358920	Tel: +86 512 57468408
Fax: +86 769 85358915	Fax: +86 512 57468468
E-mail: sales@wcon.com	E-mail: sales@wcon.com