

# HSF

NOTES:  
 Rated Current:15.0 AMP  
 Contact Resistance:8 mΩ Max  
 Withstand Voltage:2000 V AC/DC  
 Insulation Resistance:1000 MΩ min  
 Operation Temperature:-40°C to +105°C  
 Wire Range:30~12 AWG  
 Wire Strip Length: 7 mm  
 No.of Positions:2~20  
 Screw Counter Torsion Force: 4.4 lbf.in Min.

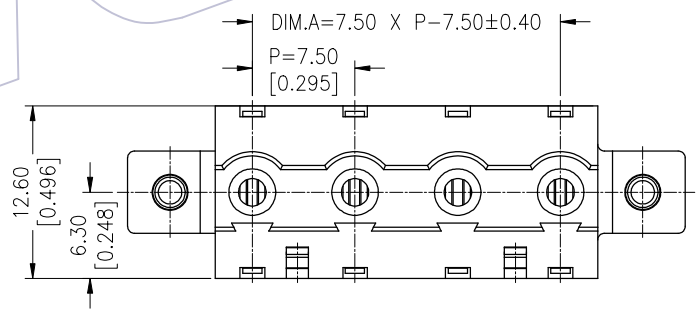
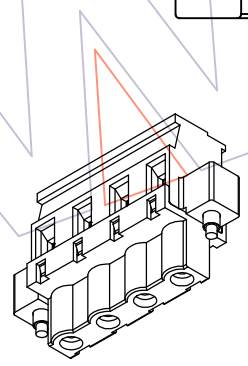
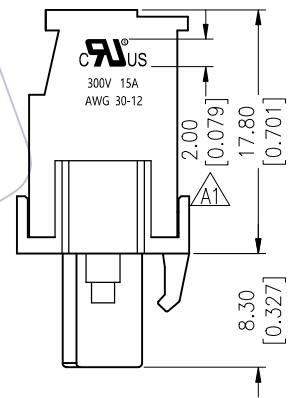
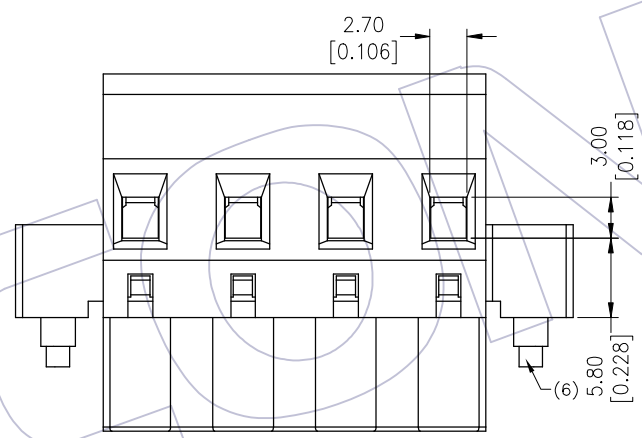
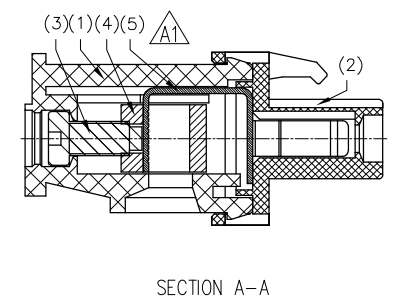
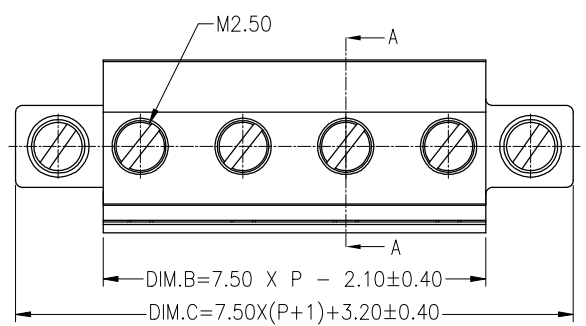
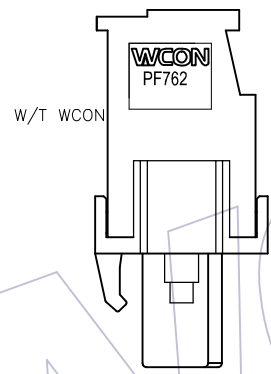
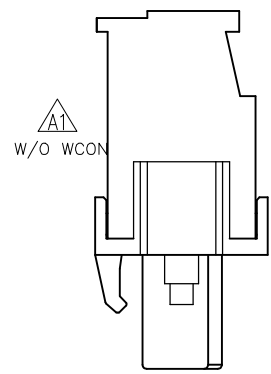
Terminal Material:Phosphor Bronze  
 Terminal Plating:Matte Tin Plated Over Nickel  
 Pin Block Material:Brass  
 Pin Block Plating:Nickel Plated Over All  
 Screw Material: Steel  
 Screw Plating:Nickel Plated Over All  
 Up Cover Material:PA66 UL94 V-0  
 Below Cover Material:PA66 UL94 V-0

### Ordering Information:

**P F 750 - A XX A SM W 1 N**

F=Female    Pitch 750=7.50    No.of Pins 02-20P    Contact Plated SM=Matte Tin    Blank=W/T WCON N=W/O WCON  
 Color A=Green    Type W=With Screw

PIN	DIM.A	DIM.B	DIM.C	PIN	DIM.A	DIM.B	DIM.C
02	7.50	12.90	25.70	12	82.50	87.90	100.70
03	15.00	20.40	33.20	13	90.00	95.40	108.20
04	22.50	27.90	40.70	14	97.50	102.90	115.70
05	30.00	35.40	48.20	15	105.00	110.40	123.20
06	37.50	42.90	55.70	16	112.50	117.90	130.70
07	45.00	50.40	63.20	17	120.00	125.40	138.20
08	52.50	57.90	70.70	18	127.50	132.90	145.70
09	60.00	65.40	78.20	19	135.00	140.40	153.20
10	67.50	72.90	85.70	20	142.50	147.90	160.70
11	75.00	80.40	93.20				



ITEM	TITLE	P/N	Q'TY	Material
(6)	Screw-2	MC025-1SXX01	2	C1018
(5)	Contact	TPT051-PSM001	N	C5191R-H T=0.4
(4)	Pin Block	BL025-1SNI01	N	C3604
(3)	Screw	MA025-1SXX01	N	C1018
(2)	Cover	HPC750-XXB1AN2	1	PA66 UL94-V0
(1)	Housing	HPF750-XXB1AW2(N)	1	PA66 UL94-V0

REV	DATE	MODIFICATION DESCRIPTION	CHANGE	OPERATION		DRAW XSR	DATE	SCALE	FIT	PART NO.
				Angle	DIM TOL					
A1	2020/12/25	ADD LOGO;ADD W/O WCON P/N	XSR	x.X	±0.40	CHECK	2020/12/25	UNIT	mm	PF750-AXXASMW1(N)
A0	2013/11/08	NEW		x.xx	±0.25	APPROVE		SIZE	A4	
				x.xxx	±0.15			SHEET	1/1	
								PROJ.		Customer NO.

**WCON**  
 Http: www.wcon.com

WCON-Dongguan    WCON-Kunshan  
 Tel: +86 769 85358920    Tel: +86 512 57468408  
 Fax: +86 769 85358915    Fax: +86 512 57468468  
 E-mail: sales@wcon.com    E-mail: sales@wcon.com