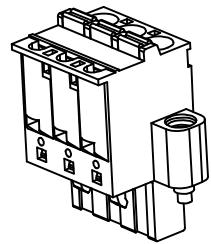


HSF

NOTES:
 Rated Current:10.0 AMP
 Contact Resistance:20 mΩ Max
 Withstand Voltage:2000 V AC/DC
 Insulation Resistance:1000 MΩ min
 Operation Temperature:-40°C to +105°C
 Wire Range:26~12 AWG
 Wire Strip Length: 7 mm
 No.of Positions:2~24
 Screw Counter Torsion Force: 3.5 lbf.in Min.



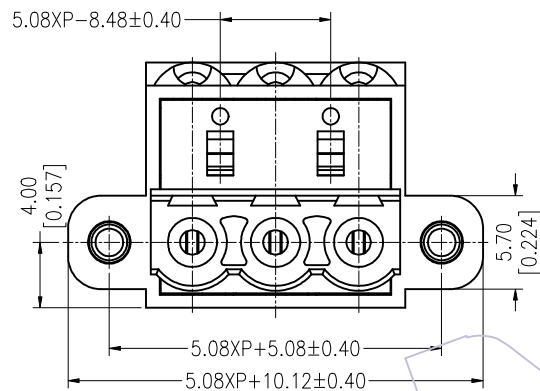
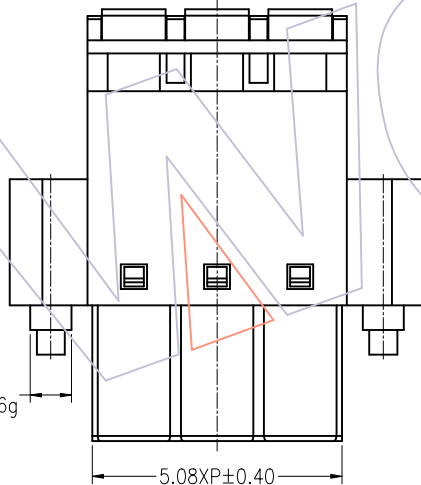
3D VIEW(REF.)
 SCALE 1:2

Terminal Material:Phosphor Bronze
 Terminal Plating:
 Matte Tin Plated Over Nickel
 Spring Blade Material:Stainless Steel
 Screw Material: Steel
 Screw Plating:
 Nickel Plated Over All
 Up Cover Material:
 (High Temp.)Thermoplastic.Ul94 V-0
 Below Cover Material:
 (High Temp.)Thermoplastic.Ul94 V-0
 Push Pole Material:
 (High Temp.)Thermoplastic.Ul94 V-0
 2P Without RAMP Locking "A"

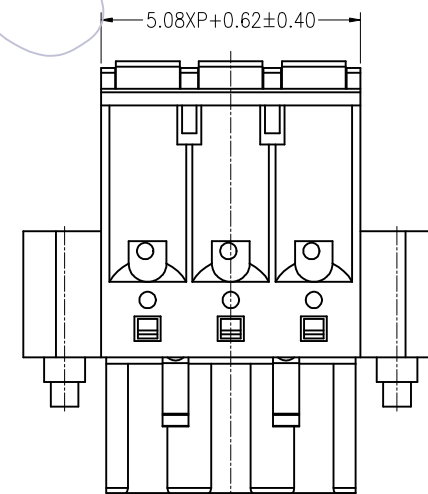
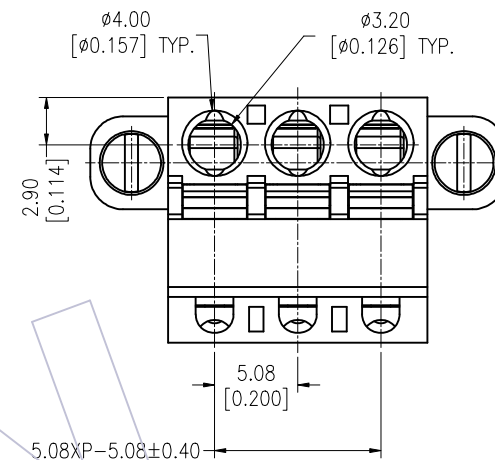
Ordering Information:

P F 508 S-1 F XX A SM W 1 N
 F=Female Pitch 508=5.08
 No.of Pins 02=24P
 Color A=Green
 Contact Plated SM=Matte Tin
 Type W=WithScrew


2-M2.50
 [0.098]-6g



"A" VIEW
 SCALE 1:1



"A" VIEW

				OPERATION	DRAW	DATE	SCALE	FIT	PART NO.	 Http: www.wcon.com
				x.X ±0.40	Tsingsn	2013/08/20	UNIT	mm	PF508S-1FXXASMW1N	
				x.XX ±0.25	CHECK	DATE	SIZE	A4	TITLE:	WCON-Dongguan Tel: +86 769 85358920 Fax: +86 769 85358915 E-mail: sales@wcon.com
				x.XXX ±0.15	APPROVE	DATE	SHEET	1/1	5.08mm Pitch Female Spring Plugs For Pluggable Terminal Blocks With Screw	
AO	2013/08/20		NEW	Angle ± 3'			PROJ.	Customer NO.		
REV	DATE		MODIFICATION DESCRIPTION	DIM TOL						