

HSF

NOTES:
 Rated Current:10.0 AMP
 Contact Resistance:20 mΩ Max
 Withstand Voltage:2000 V AC/DC
 Insulation Resistance:1000 MΩ min
 Operation Temperature:-40°C to +105°C
 Wire Range:26~12 AWG
 Wire Strip Length: 7 mm
 No.of Positions:2~24

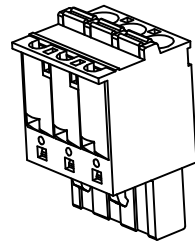
Terminal Material:Phosphor Bronze
 Terminal Plating:
 Matte Tin Plated Over Nickel
 Spring Blade Material:Stainless Steel
 Up Cover Material:
 (High Temp.)Thermoplastic.UL94 V-0
 Below Cover Material:
 (High Temp.)Thermoplastic.UL94 V-0
 Push Pole Material:
 (High Temp.)Thermoplastic.UL94 V-0

2P Without RAMP Locking "A"

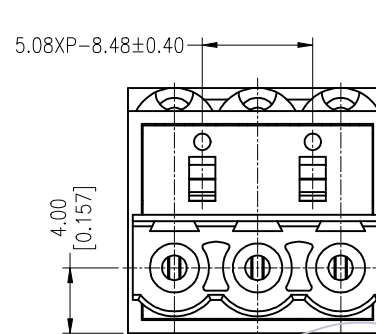
Ordering Information:

P F 508 S-1 F XX A SM N 1 N

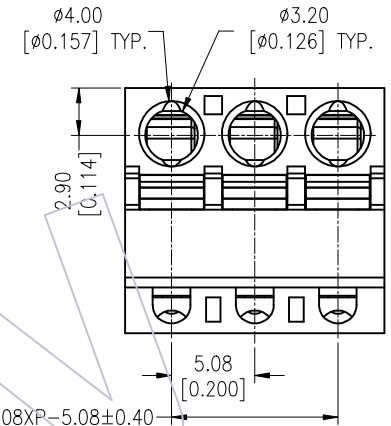
F=Female Pitch 508=5.08
 No.of Pins 02=24P
 Color A=Green SM=Matte Tin
 Type N=Without Screw S=With Latch



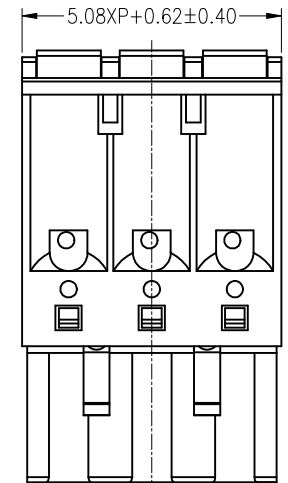
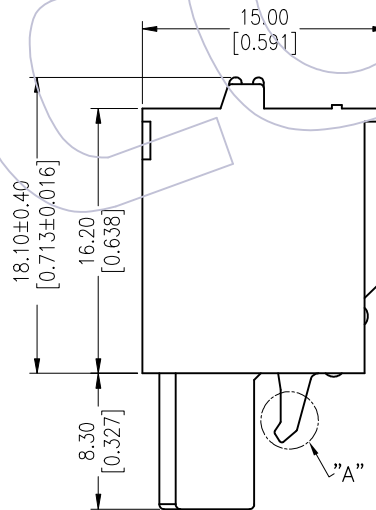
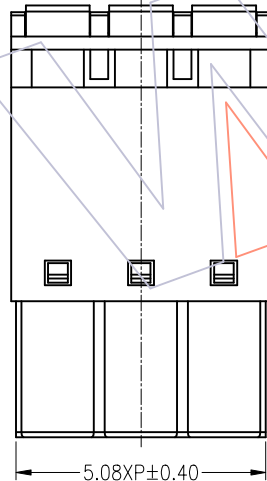
3D VIEW(REF.)
 SCALE 1:2



"A" VIEW
 SCALE 1:1



5.08XP-5.08±0.40



"A" VIEW

| REV | DATE | MODIFICATION DESCRIPTION | CHANGE | OPERATION | | DRAW | DATE | SCALE | FIT | PART NO. | WCON |
|-----|------------|--------------------------|--------|-----------|-------|---------|------|-------|-----|---|---|
| | | | | x.x | ±0.40 | | | | | | |
| | | | | x.xx | ±0.25 | CHECK | DATE | | | TITLE: 5.08mm Pitch Female Spring Plugs For Pluggable Terminal Blocks Without Screw | WCON-Dongguan Tel: +86 769 85358920 Fax: +86 769 85358915 E-mail: sales@wcon.com |
| AO | 2013/08/20 | NEW | / | x.xxx | ±0.15 | APPROVE | DATE | | | Customer NO. | |
| | | | | Angle | ± 3' | | | SHEET | 1/1 | | |
| | | | | DIM | TOL | | | PROJ. | ◆ | | |