

HSF

NOTES:
 Current Rating:10A
 Voltage Rating:300V
 Contact Resistance:20milliohm Max
 Withstand Voltage:AC2000V
 Insulation Resistance:1000Megohm Min
 Operation Temperature:-40°C to +105°C

Housing Material:PA66+30%GF(UL94V-0)
 Contact Material:Brass

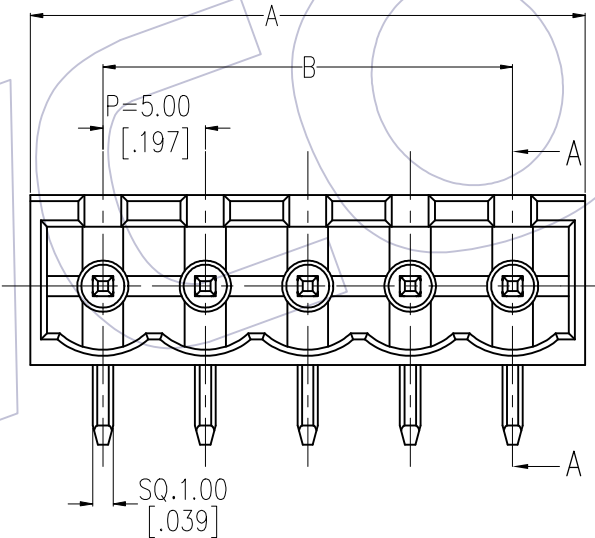
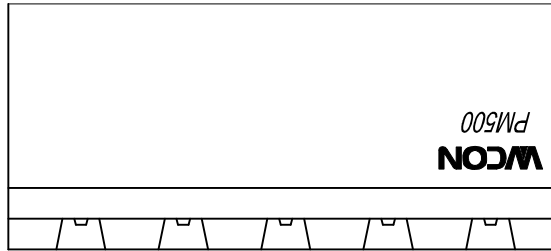
Ordering Information:

P M 500 - 1 R XX A SM 1

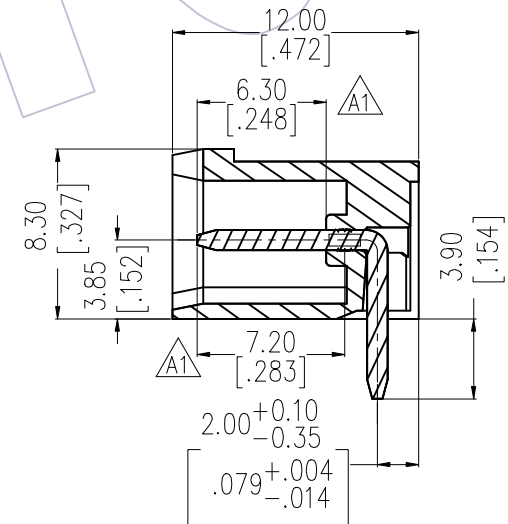
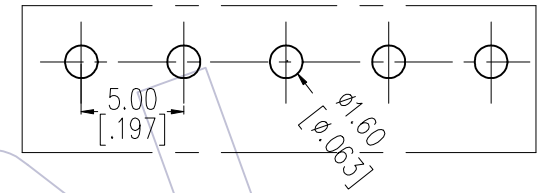
M=Male Pitch 500=5.00
 No. of Pins 02-24P Color A=Green Contact Plated SM=Matte Tin Series No. 1

13P	67.08±0.40	60.00±0.35			
12P	62.08±0.40	55.00±0.35	24P	122.08±0.40	115.00±0.40
11P	57.08±0.40	50.00±0.35	23P	117.08±0.40	110.00±0.40
10P	52.08±0.35	45.00±0.30	22P	112.08±0.40	105.00±0.40
9P	47.08±0.35	40.00±0.30	21P	107.08±0.40	100.00±0.40
8P	42.08±0.35	35.00±0.30	20P	102.08±0.40	95.00±0.35
7P	37.08±0.35	30.00±0.30	19P	97.08±0.40	90.00±0.35
6P	32.08±0.35	25.00±0.30	18P	92.08±0.40	85.00±0.35
5P	27.08±0.35	20.00±0.30	17P	87.08±0.40	80.00±0.35
4P	22.08±0.35	15.00±0.30	16P	82.08±0.40	75.00±0.35
3P	17.08±0.35	10.00±0.30	15P	77.08±0.40	70.00±0.35
2P	12.08±0.35	5.00±0.30	14P	72.08±0.40	65.00±0.35
PIN	A	B	PIN	A	B

ITEM	Pitch	Mating
Standard	5.00	PF500
Alternate		



Recommended P.C.B Layout(Top Side)
 (PCB BOARD TOLERANCE±0.05)



SECTION A-A

REV	DATE	MODIFICATION DESCRIPTION	CHANGE	OPERATION		DRAW	DATE	SCALE	FIT	PART NO.	TITLE:	WCON	
				X.X	±0.40							Http: www.wcon.com	
A1	2020/10/31	ADD DIM.	XSR	X.XX	±0.25	XSR	2020/10/31	UNIT	mm	PM500-1RXXASM1	5.00mm Pitch Male Pluggable Terminal Blocks	WCON-Dongguan	WCON-Kunshan
AO	2019/07/20	NEW		X.XXX	±0.15	CHECK	DATE	SIZE	A4			Tel: +86 769 85358920	Tel: +86 512 57468408
				Angle	± 3'	APPROVE	DATE	SHEET	1/1	Customer NO.		Fax: +86 769 85358915	Fax: +86 512 57468468
				DIM	TOL			PROJ.				E-mail: sales@wcon.com	E-mail: salesks@wcon.com