

HSF

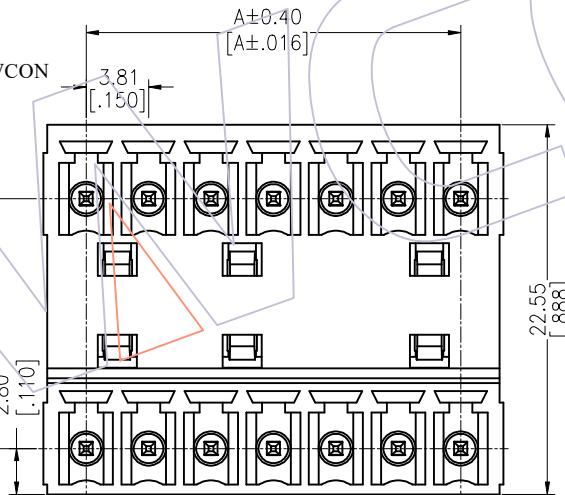
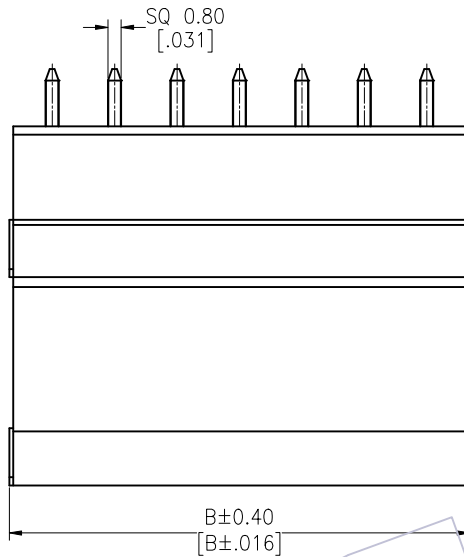
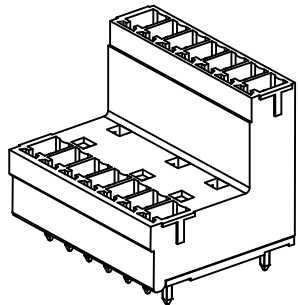
NOTES:

1. MATERIAL:
 - 1.1 HOUSING:PA66 (UL94V-0)
 - 1.2 COVER:PA66 (UL94V-0)
 - 1.3 TERMINAL:BRASS,MATTE TIN PLATED OVER NICKEL
2. ELECTRICAL:
 - 2.1 CURRENT RATING: 8 A
 - 2.2 VOLTAGE RATING: 300 V
 - 2.3 CONTACT RESISTANCE:8 mΩ MAX.
 - 2.4 DIELECTRIC WITHSTANDING VOLTAGE:2000V AC
 - 2.5 INSULATION RESISTANCE:1000 MΩ MIN
3. ENVIRONMENTAL:
 - 3.1 OPERATION TEMPERATURE:-40°C TO +105°C
4. No.OF POSITIONS:2~20
5. ALL MATERIALS SHOULD BE COMPLIANT TO ROHS

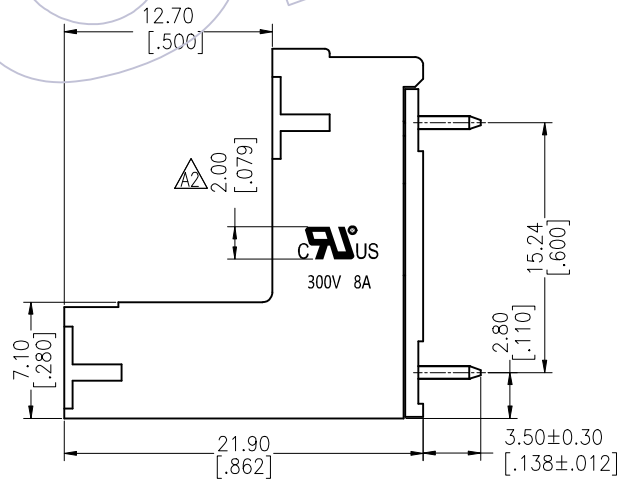
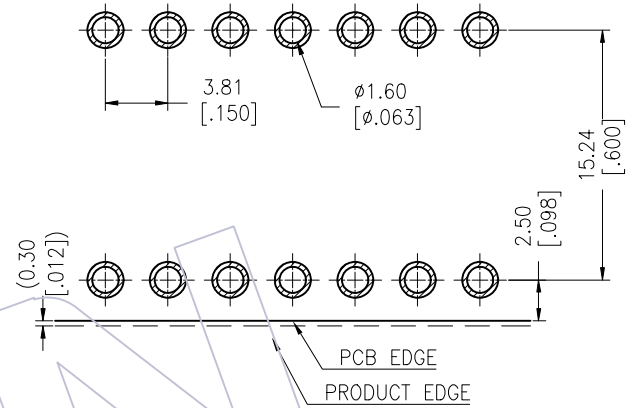
Ordering Information:

P M 381 - 3 S XX X SM 1 N

M=Male
Pitch 381=3.81
No.of Pins (Per Row) 02-20P
Color A=Green
Contact Plated SM=Matte Tin
N=W/O WCON
Series No.



Recommended P.C.B Layout(Top Side)
(PCB BOARD TOLERANCE±0.05)



PIN	DIM.A	DIM.B
02	3.81	9.01
03	7.62	12.82
04	11.43	16.63
05	15.24	20.44
06	19.05	24.25
07	22.86	28.06
08	26.67	31.87
09	30.48	35.68
10	34.29	39.49
11	38.10	43.30
12	41.91	47.11
13	45.72	50.92
14	49.53	54.73
15	53.34	58.54
16	57.15	62.35
17	60.96	66.16
18	64.77	69.97
19	68.58	73.78
20	72.39	77.59

REV	DATE	MODIFICATION DESCRIPTION	CHANGE	OPERATION	DRAW	DATE	SCALE	FIT	PART NO.
A3	2021/08/24	Change Material	PAN	OPERATION	PAN	2021/08/24	SCALE	FIT	PM381-3SXXXSM1N
A2	2020/11/19	ADD UL LOGO	XSR	x.X ±0.40	CHECK		UNIT	mm	TITLE: 3.81mm Pitch Male Pluggable Terminal Blocks With Double Stagger Tier
A1	2013/06/05	Modify The Housing and Cover Material		x.XX ±0.25		DATE	inch	A4	
A0	2013/01/30	NEW		x.XXX ±0.15	APPROVE	DATE	SHEET	1/1	
REV	DATE	MODIFICATION DESCRIPTION	CHANGE	Angle ± 3°		DATE	PROJ.		Customer NO.
				DIM TOL					

WCON

Http: www.wcon.com

WCON-Dongguan Tel: +86 769 85358920 Fax: +86 769 85358915 E-mail: sales@wcon.com

WCON-Kunshan Tel: +86 512 57468408 Fax: +86 512 57468468 E-mail: sales@wcon.com