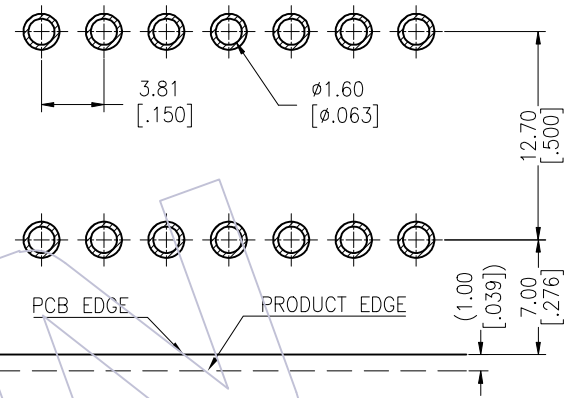


# HSF

**NOTES:**

1. MATERIAL:
  - 1.1 HOUSING:PA66 (UL94V-0)  $\Delta$ A3
  - 1.2 COVER:PA66 (UL94V-0)  $\Delta$ A3
  - 1.3 TERMINAL:BRASS  
MATTE TIN PLATED OVER NICKEL
2. ELECTRICAL:
  - 2.1 CURRENT RATING: 8 A
  - 2.2 VOLTAGE RATING: 300 V
  - 2.3 CONTACT RESISTANCE:8 m $\Omega$  MAX.
  - 2.4 DIELECTRIC WITHSTANDING VOLTAGE:2000V AC
  - 2.5 INSULATION RESISTANCE:1000 M $\Omega$  MIN
3. ENVIRONMENTAL:
  - 3.1 OPERATION TEMPERATURE:-40°C TO +105°C
4. No.OF POSITIONS:2~20
5. ALL MATERIALS SHOULD BE COMPLIANT TO ROHS

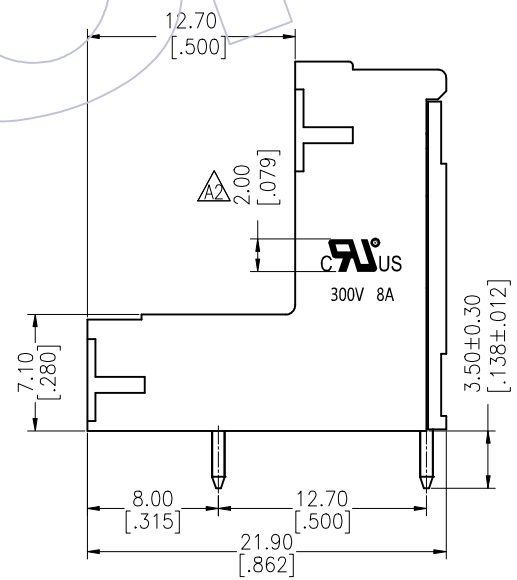
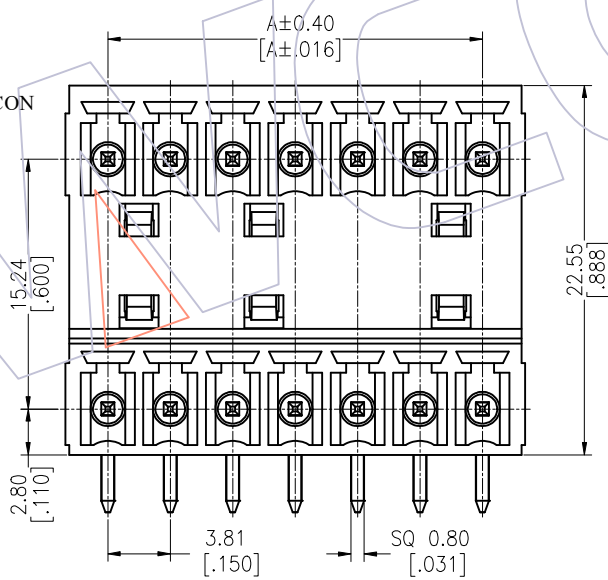
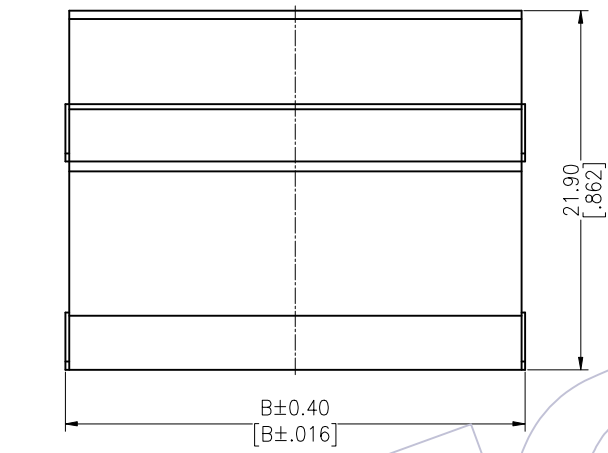
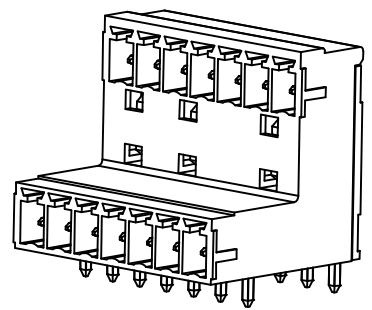
**Recommended P.C.B Layout(Top Side)**  
(PCB BOARD TOLERANCE $\pm$ 0.05)



**Ordering Information:**

**P M 381 - 3 R XX X SM 1 N**

M=Male  
Pitch 381=3.81  
No. of Pins (Per Row) 02-20P  
Color A=Green  
Contact Plated SM=Matte Tin  
N=W/O WCON  
Series No.



PIN	DIM.A	DIM.B
02	3.81	9.01
03	7.62	12.82
04	11.43	16.63
05	15.24	20.44
06	19.05	24.25
07	22.86	28.06
08	26.67	31.87
09	30.48	35.68
10	34.29	39.49
11	38.10	43.30
12	41.91	47.11
13	45.72	50.92
14	49.53	54.73
15	53.34	58.54
16	57.15	62.35
17	60.96	66.16
18	64.77	69.97
19	68.58	73.78
20	72.39	77.59

REV	DATE	MODIFICATION DESCRIPTION	CHANGE	OPERATION	DRAW	DATE	SCALE	FIT	PART NO.
A3	2021/08/24	Change Material	PAN	OPERATION	PAN	2021/08/24	UNIT	mm	PM381-3RXXXSM1N
A2	2020/11/19	ADD UL LOGO	XSR	x.X $\pm$ 0.40	CHECK	DATE	inch	A4	
A1	2013/06/05	Modify The Housing and Cover Material	$\Delta$ A3	x.XX $\pm$ 0.25	APPROVE	DATE	SHEET	1/1	TITLE: 3.81mm Pitch Male Pluggable Terminal Blocks With Double Stagger Tier
A0	2013/01/30	NEW	—	x.XXX $\pm$ 0.15					
				Angle $\pm$ 3'					Customer NO.
				DIM TOL					

**WCON**  
Http: www.wcon.com

WCON-Dongguan  
Tel: +86 769 85358920  
Fax: +86 769 85358915  
E-mail: sales@wcon.com

WCON-Kunshan  
Tel: +86 512 57468408  
Fax: +86 512 57468468  
E-mail: sales@wcon.com