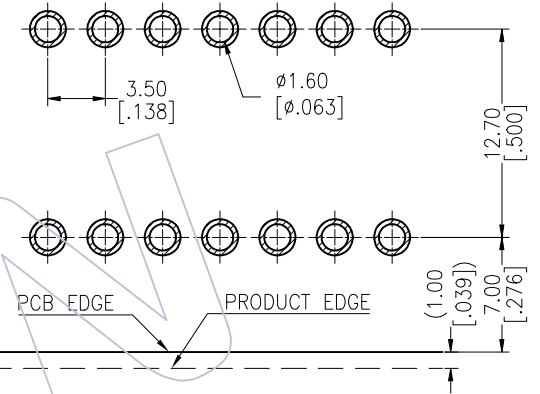
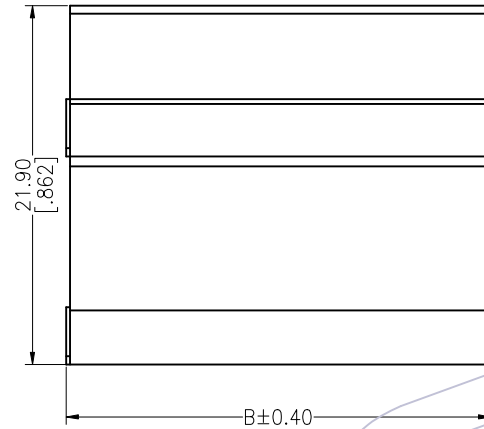


# HSF

**NOTES:**

1. MATERIAL:
  - 1.1 HOUSING:PA66+30%GF(UL94V-0)
  - 1.2 COVER:PA66+30%GF(UL94V-0)
  - 1.3 TERMINAL:BRASS,MATTE TIN PLATED OVER NICKEL
2. ELECTRICAL:
  - 2.1 CURRENT RATING: 8 A
  - 2.2 VOLTAGE RATING: 300 V
  - 2.3 CONTACT RESISTANCE:8 mΩ MAX.
  - 2.4 DIELECTRIC WITHSTANDING VOLTAGE:2000V AC
  - 2.5 INSULATION RESISTANCE:1000 MΩ MIN
3. ENVIRONMENTAL:
  - 3.1 OPERATION TEMPERATURE:-40°C TO +105°C
4. No.OF POSITIONS:2~20
5. ALL MATERIALS SHOULD BE COMPLIANT TO ROHS

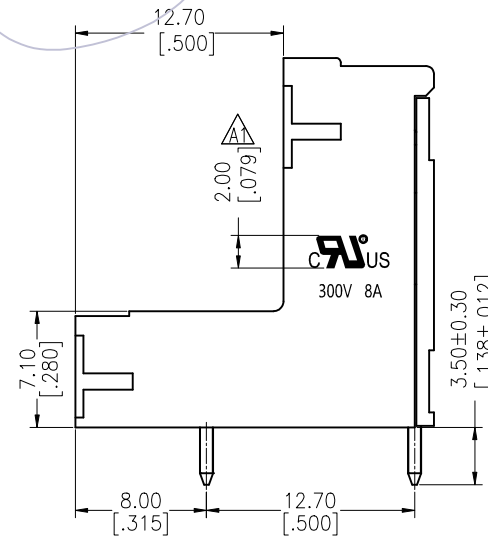
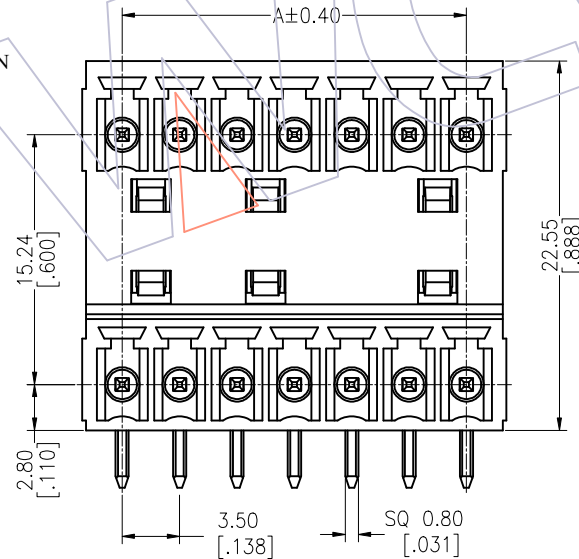
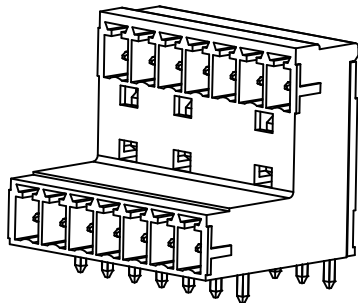
Recommended P.C.B Layout(Top Side)  
(PCB BOARD TOLERANCE±0.05)



**Ordering Information:**

**P M 350 - 3 R XX A SM 1 N**

M=Male  
 No.of Pins (Per Row) 02-20P  
 Contact Plated SM=Matte Tin  
 N=W/O WCON  
 Pitch 350=3.50  
 Color A=Green  
 Series No.



No.Of PIN	DIM.A	DIM.B
02	3.50	8.40
03	7.00	11.90
04	10.50	15.40
05	14.00	18.90
06	17.50	22.40
07	21.00	25.90
08	24.50	29.40
09	28.00	32.90
10	31.50	36.40
11	35.00	39.90
12	38.50	43.40
13	42.00	46.90
14	45.50	50.40
15	49.00	53.90
16	52.50	57.40
17	56.00	60.90
18	59.50	64.40
19	63.00	67.90
20	66.50	71.40

REV	DATE	MODIFICATION DESCRIPTION	CHANGE	OPERATION		DRAW	DATE	SCALE	FIT	PART NO.	TITLE:	Customer NO.
				x.X	±0.40							
A1	2020/11/19	ADD UL LOGO	XSR	x.XX	±0.25	CHECK	DATE	UNIT	inch	3.50mm Pitch Male Pluggable Terminal Blocks With Double Stagger Tier	WCON-Dongguan Tel: +86 769 85358920 Fax: +86 769 85358915 E-mail: sales@wcon.com	WCON-Kunshan Tel: +86 512 57468408 Fax: +86 512 57468468 E-mail: sales@wcon.com
A0	2013/09/17	NEW		x.XXX	±0.15	APPROVE	DATE	SIZE	A4			
				Angle	± 3'			SHEET	1/1			
				DIM	TOL			PROJ.				

## WCON

Http: www.wcon.com