

NOTES:

Current Rating:8A
 Voltage Rating:300V
 Contact Resistance:8milliohm Max
 Withstand Voltage:AC 1500V
 Insulation Resistance:1000Megohm Min
 Operation Temperature:-40°C to +105°C

Housing Material:PA66+30%GF(UL94V-0) $\triangle A3$
 Contact Material:Brass

Ordering Information:

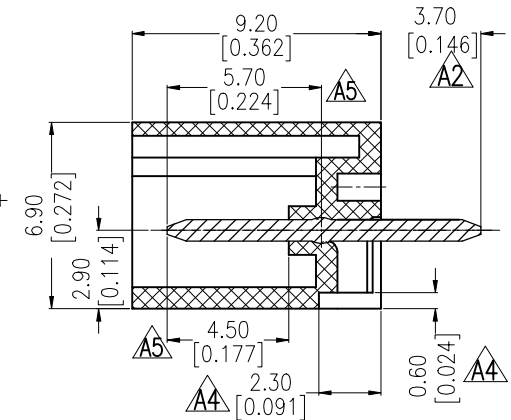
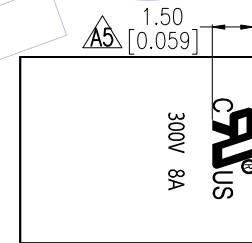
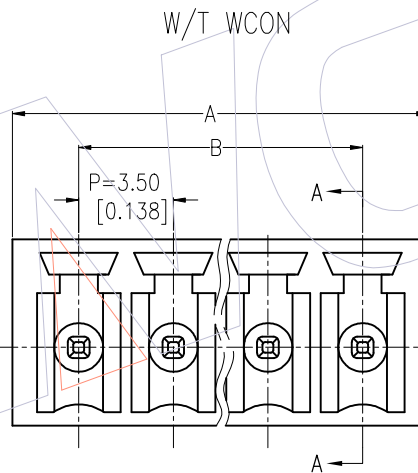
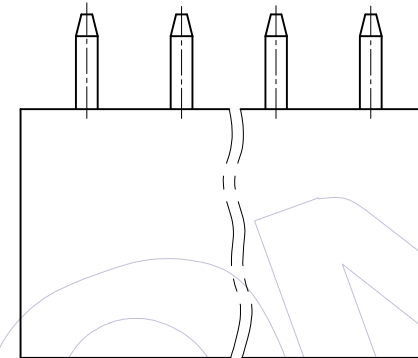
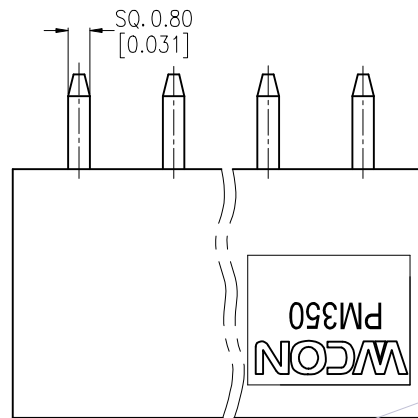
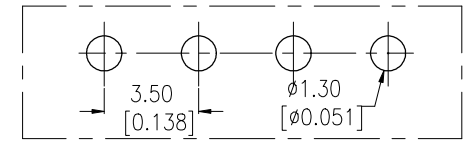
P M 350 - 1 S XX A SM 1 N $\triangle A5$

M=Male
 Pitch 350=3.50
 No. of Pins 02-20P
 Color A=Green
 Contact Plated SM=Matte Tin
 Blank=W/T WCON
 N=W/O WCON
 Series No.

ITEM	Pitch	Mating
Standard	3.50	PF350
Alternate		

11P	39.90 ±0.30	35.00 ±0.30			
10P	36.40 ±0.30	31.50 ±0.30	20P	71.40 ±0.40	66.50 ±0.40
9P	32.90 ±0.30	28.00 ±0.30	19P	67.90 ±0.40	63.00 ±0.40
8P	29.40 ±0.20	24.50 ±0.20	18P	64.40 ±0.40	59.50 ±0.40
7P	25.90 ±0.20	21.00 ±0.20	17P	60.90 ±0.40	56.00 ±0.40
6P	22.40 ±0.20	17.50 ±0.20	16P	57.40 ±0.40	52.50 ±0.40
5P	18.90 ±0.20	14.00 ±0.20	15P	53.90 ±0.40	49.00 ±0.40
4P	15.40 ±0.20	10.50 ±0.20	14P	50.40 ±0.30	45.50 ±0.30
3P	11.90 ±0.20	7.00 ±0.20	13P	46.90 ±0.30	42.00 ±0.30
2P	8.40 ±0.20	3.50 ±0.10	12P	43.40 ±0.30	38.50 ±0.30
PIN	A	B	PIN	A	B

Recommended P.C.B Layout (Top Side)
 (PCB BOARD TOLERANCE±0.05)



SECTION A-A

REV	DATE	MODIFICATION DESCRIPTION	CHANGE	OPERATION	DRAW	DATE	SCALE	FIT	PART NO.
A5	2020/11/14	Add UL Logo & DIM;Add W/O WCON SPEC&P/N $\triangle A5$	XSR	OPERATION	DRAW	2020/11/14	SCALE	FIT	PM350-1SXXASM1(N) $\triangle A1 \triangle A5$
A4	2018/03/12	Modify $\triangle A4$	XSR	x.X ±0.40	XSR		UNIT	mm	TITLE: 3.50mm Pitch Male Pluggable Terminal Blocks
A3	2013/06/05	Modify The Housing Material $\triangle A3$		x.XX ±0.25	CHECK		SIZE	A4	
A0	2011/06/07	NEW		x.XXX ±0.15	APPROVE		SHEET	1/1	
				Angle ± 3°			PROJ.		Customer NO.
				DIM TOL					

WCON

Http: www.wcon.com

WCON-Dongguan
 Tel: +86 769 85358920
 Fax: +86 769 85358915
 E-mail: sales@wcon.com

WCON-Kunshan
 Tel: +86 512 57468408
 Fax: +86 512 57468468
 E-mail: sales@wcon.com