

HSF

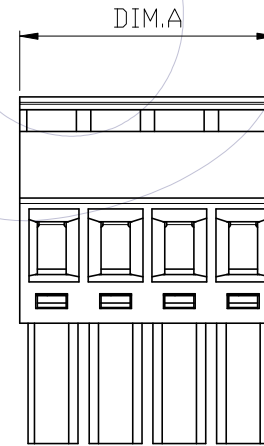
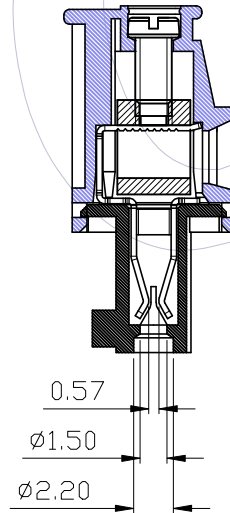
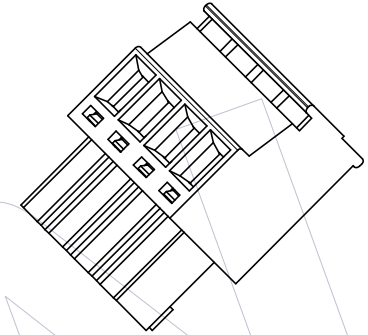
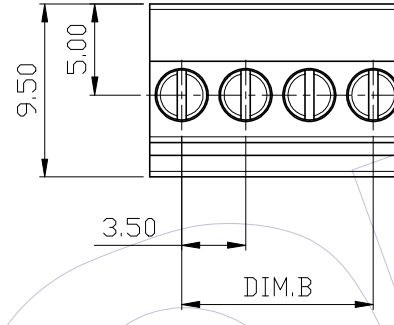
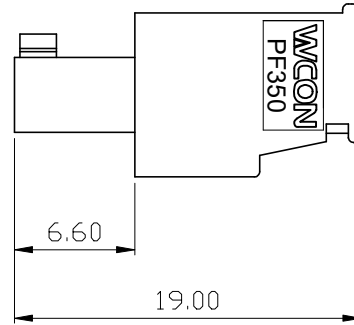
NOTES:

Current Rating: 8A
 Voltage Rating: 300V
 Contact Resistance: 20milliohm Max
 Withstand Voltage: AC2500V
 Insulation Resistance: 1000Megohm Min
 Screw Torque: 3 lbf.in
 Wire range: 16-30AWG
 Operation Temperature: -40°C to +105°C

Housing Material: PA66 UL94V-0
 Cover Material: PA66 UL94-V0
 Screw: Steel
 Pin Block: Brass
 Contact: Phosphor Bronze

Ordering Information:

P F 350 - A XX A SM N 1
 F=Female Pitch 350=3.50
 No. of Pins 02-24P Color A=Green
 Contact Plated SM=Matte Tin N=Without Two Side Screw



位数	DIM. A	DIM. B
24P	84.00±0.30	80.50±0.30
23P	80.50±0.30	77.00±0.30
22P	77.00±0.30	73.50±0.30
21P	73.50±0.30	70.00±0.30
20P	70.00±0.30	66.50±0.30
19P	66.50±0.30	63.00±0.30
18P	63.00±0.30	59.50±0.30
17P	59.50±0.30	56.00±0.30
16P	56.00±0.30	52.50±0.30
15P	52.50±0.30	49.00±0.30
14P	49.00±0.20	45.50±0.20
13P	45.50±0.20	42.00±0.20
12P	42.00±0.20	38.50±0.20
11P	38.50±0.20	35.00±0.20
10P	35.00±0.20	31.50±0.20
9P	31.50±0.20	28.00±0.20
8P	28.00±0.15	24.50±0.15
7P	24.50±0.15	21.00±0.15
6P	21.00±0.15	17.50±0.15
5P	17.50±0.15	14.00±0.15
4P	14.00±0.15	10.50±0.15
3P	10.50±0.15	7.00±0.15
2P	7.00±0.15	3.50±0.10

REV	DATE	MODIFICATION DESCRIPTION	CHANGE	OPERATION		DRAW	DATE	SCALE	FIT	PART NO.	TITLE:	WCON	
				x.X	±0.40							Brace	2019/01/07
				x.XX	±0.25	CHECK	DATE	SIZE	A4	PF350-AXXASMN1	3.50mm Pitch Female Pluggable Terminal Blocks	WCON-Dongguan	
A0	2019/01/07	NEW		x.XXX	±0.15	APPROVE	DATE	SHEET	1/2			Tel: +86 769 85358920	
				Angle	± 3'			PROJ.	◆	Customer NO.		Tel: +86 512 57468408	
				DIM	TOL					Fax: +86 769 85358915		Fax: +86 512 57468468	
										E-mail: sales@wcon.com		E-mail: salesks@wcon.com	