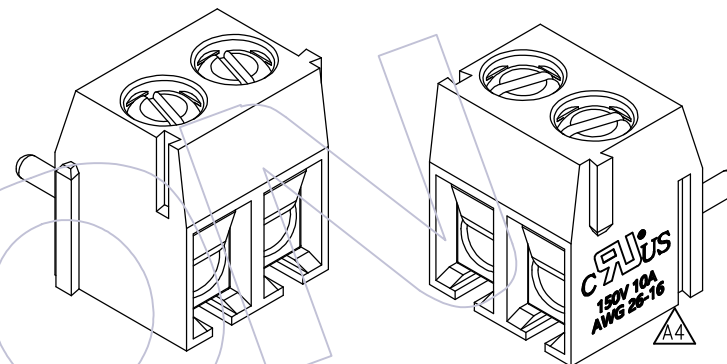
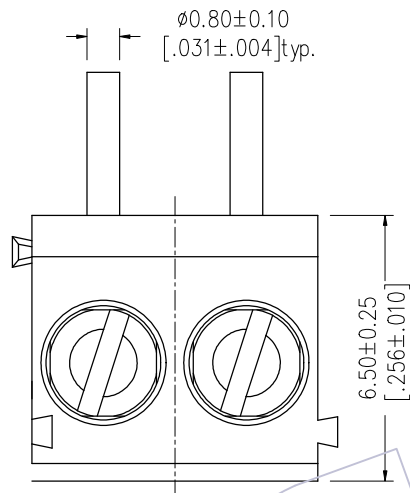
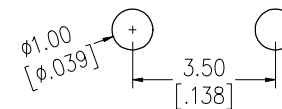


HSF

NOTES:
 Current Rating: 10A
 Voltage Rating: 150V
 Contact Resistance: 8milliohm Max
 Withstand Voltage: AC/DC 1000V
 Insulation Resistance: 500Megohm Min
 Screw Torque: 2.0 lbf.in
 Wire range: 16AWG-26AWG

Housing Material: PBT UL94V-0
 Screw: Steel
 Contact: Brass
 Spring: SUS301

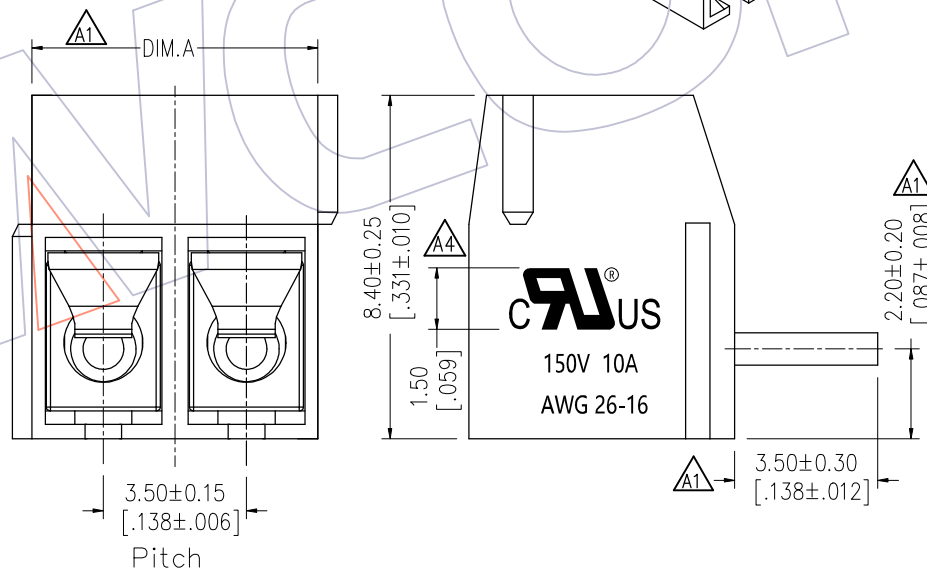
Recommended P.C.B Layout(Top Side)
 (PCB BOARD TOLERANCE±0.05)



Ordering Information:

A H 350 - 084 R XX U SN 1 N

Pitch 350=3.50 Housing High 084=8.40 No.of Pins 02=20P Color U=Blue Contact Plated SN=Bright Tin



PINS	DIM A
2P	7.00±0.10
3P	10.50±0.10

DIM.A	PINS
14.00±0.15	4P=2P+2P
17.50±0.15	5P=2P+3P
21.00±0.15	6P=3P+3P
24.50±0.20	7P=2P+2P+3P
28.00±0.20	8P=3P+3P+2P
31.50±0.20	9P=3P+3P+3P
35.00±0.25	10P=3P+3P+2P+2P
38.50±0.25	11P=3P+3P+3P+2P
42.00±0.25	12P=3P+3P+3P+3P
45.50±0.30	13P=3P+3P+3P+2P+2P
49.00±0.30	14P=3P+3P+3P+3P+2P
52.50±0.30	15P=3P+3P+3P+3P
56.00±0.35	16P=3P+3P+3P+3P+2P+2P
59.50±0.35	17P=3P+3P+3P+3P+3P+2P
63.00±0.35	18P=3P+3P+3P+3P+3P+3P
66.50±0.40	19P=3P+3P+3P+3P+3P+2P+2P
70.00±0.40	20P=3P+3P+3P+3P+3P+3P+2P

REV	DATE	MODIFICATION DESCRIPTION	CHANGE	OPERATION	DRAW	DATE	SCALE	FIT	PART NO.
A4	20/06/17	ADD UL LOGO	A4	XSR	OPERATION	20/06/17	UNIT	mm	AH350-084RXXUSN1N
A3	20/01/17	ADD DIM.A NOTE	A3	XSR	±0.40	CHECK	inch		
A2	16/12/14	ADD NOTE	A2	XSR	±0.25	DATE	SIZE	A4	TITLE:
A0	13/01/12	NEW			±0.15	DATE	SHEET	1/1	3.50mm Pitch Euro Terminal Blocks With Wire Protection 90° DIP
					Angle ± 3°	DATE	PROJ.		Customer NO.
					DIM TOL				

WCON

Http: www.wcon.com

WCON-Dongguan WCON-Kunshan
 Tel: +86 769 85358920 Tel: +86 512 57468408
 Fax: +86 769 85358915 Fax: +86 512 57468468
 E-mail: sales@wcon.com E-mail: salesks@wcon.com