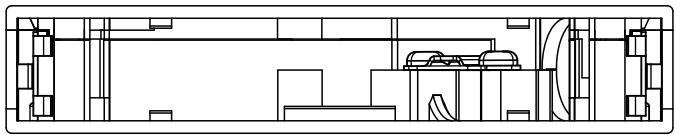
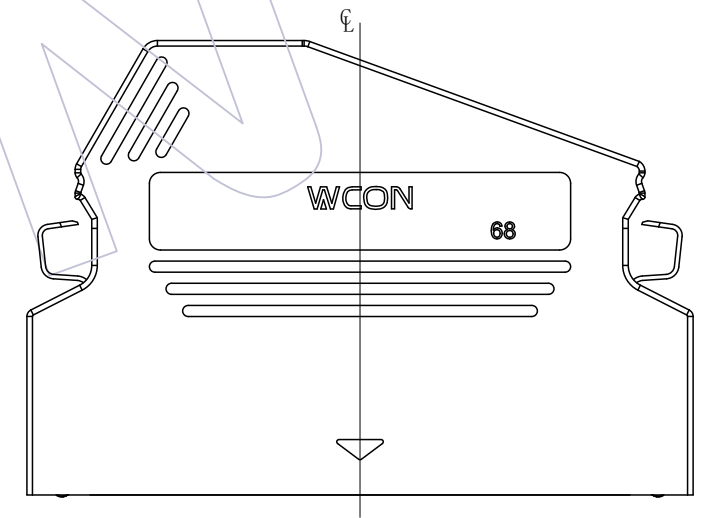
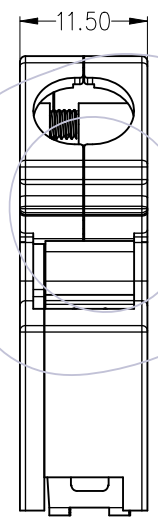
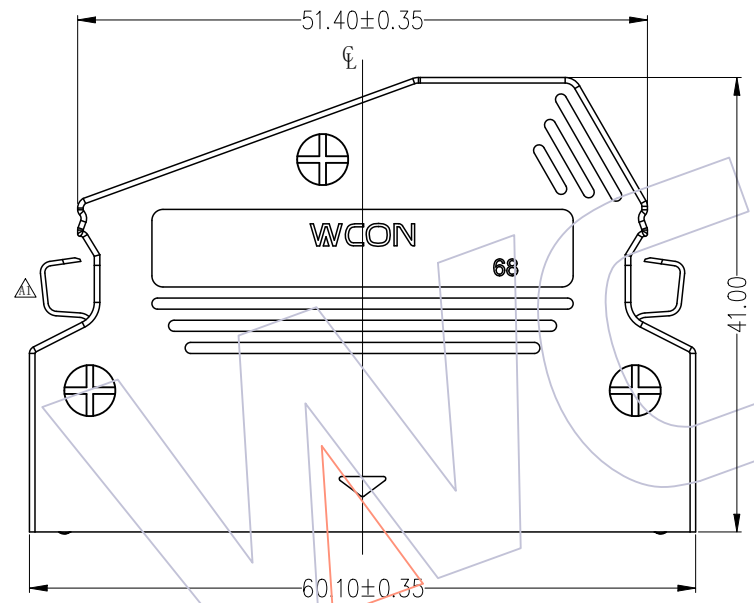
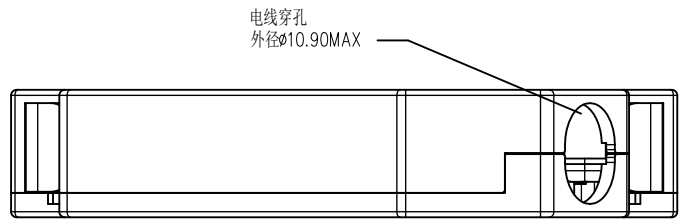


HSF

Ordering Information

6329M- 068 S 00 M 0 01 W

NO. of pins 68P
 Contact Plating 00=NO contact
 Shell material M=Metal
 Wcon Internal Code: W=W/T WCON
 Packing 0=BAG



(6)	LOWER SHELL	M6329M-068SNI02W	1	锌合金, 镀高磷镍
(5)	SIDE BUCKLE SHRAPNEL	K6328M-SM002 \triangle	2	SUS,T=0.40mm
(4)	CLAMP	B6326-050PNI01	1	C5191-H,Plating Ni
(3)	SCREW CLAMP	L6326-SNI01	2	SUS,M2.6,Plating Ni
(2)	SCREW SHELL	L6328M-SNI01	3	SUS,M2.6,Plating Ni
(1)	UPPER SHELL	M6329M-068SNI01W	1	锌合金, 镀高磷镍
ITEM	DESCRIPTION	P/N	Q'TY	MATERIALS

OPERATION		DRAW NYF	DATE 2023/10/25	SCALE	FIT	PART NO. 6329M-068S00M001W
X.X	±0.40					
CHECK		DATE	DATE	UNIT mm	SIZE A4	TITLE: SCSI ASSEMBLE(68PIN) (6PCS)
X.XX	±0.25					
APPROVE		DATE	DATE	SHEET 1/3	PROJ.	Customer NO.
X.XXX	±0.15					
REV	DATE	MODIFICATION DESCRIPTION	CHANGE	Angle ± 3°		
				DIM TOL		

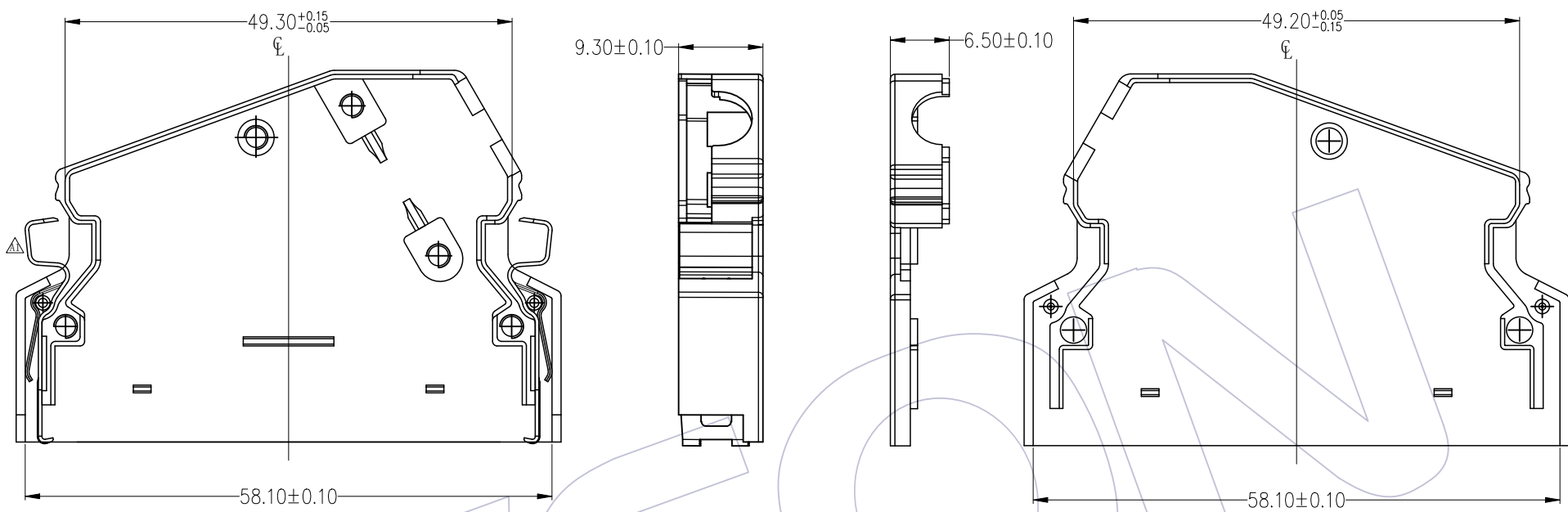
WCON
 Http: www.wcon.com

WCON-Dongguan
 Tel: +86 769 85358920
 Fax: +86 769 85358915
 E-mail: sales@wcon.com

WCON-Kunshan
 Tel: +86 512 57468408
 Fax: +86 512 57468468
 E-mail: salesks@wcon.com

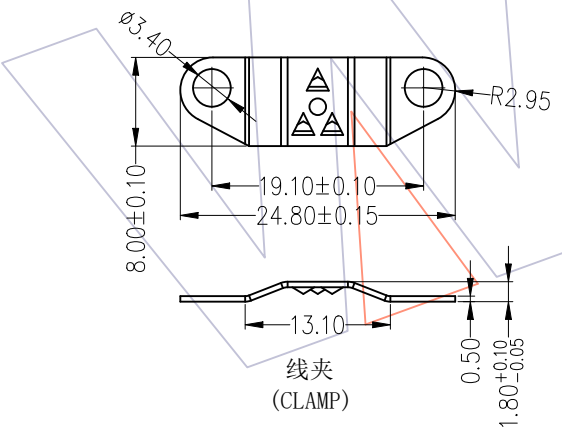
1 2 3 4 5 6 7 8 9 10

A
B
C
D
E
F
G
H

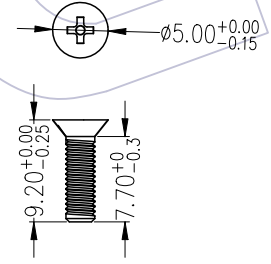


下壳及侧弹片
LOWER SHELL &
SIDE BUCKLE SHRAPNEL

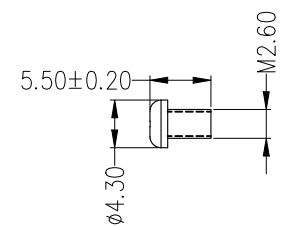
上壳
UPPER SHELL



线夹
(CLAMP)



壳螺丝
(SCREW SHELL)



线夹螺丝
(SCREW CLAMP)

REV	DATE	MODIFICATION DESCRIPTION	CHANGE
A1	2023/10/25	Modify	/
A0	2022/03/03	NEW	/

OPERATION	ANGLE	TOL
x.x	±0.40	
x.xx	±0.25	
x.xxx	±0.15	
Angle	± 3°	
DIM	TOL	

DRAW	DATE
NYF	2023/10/25
CHECK	DATE
APPROVE	DATE

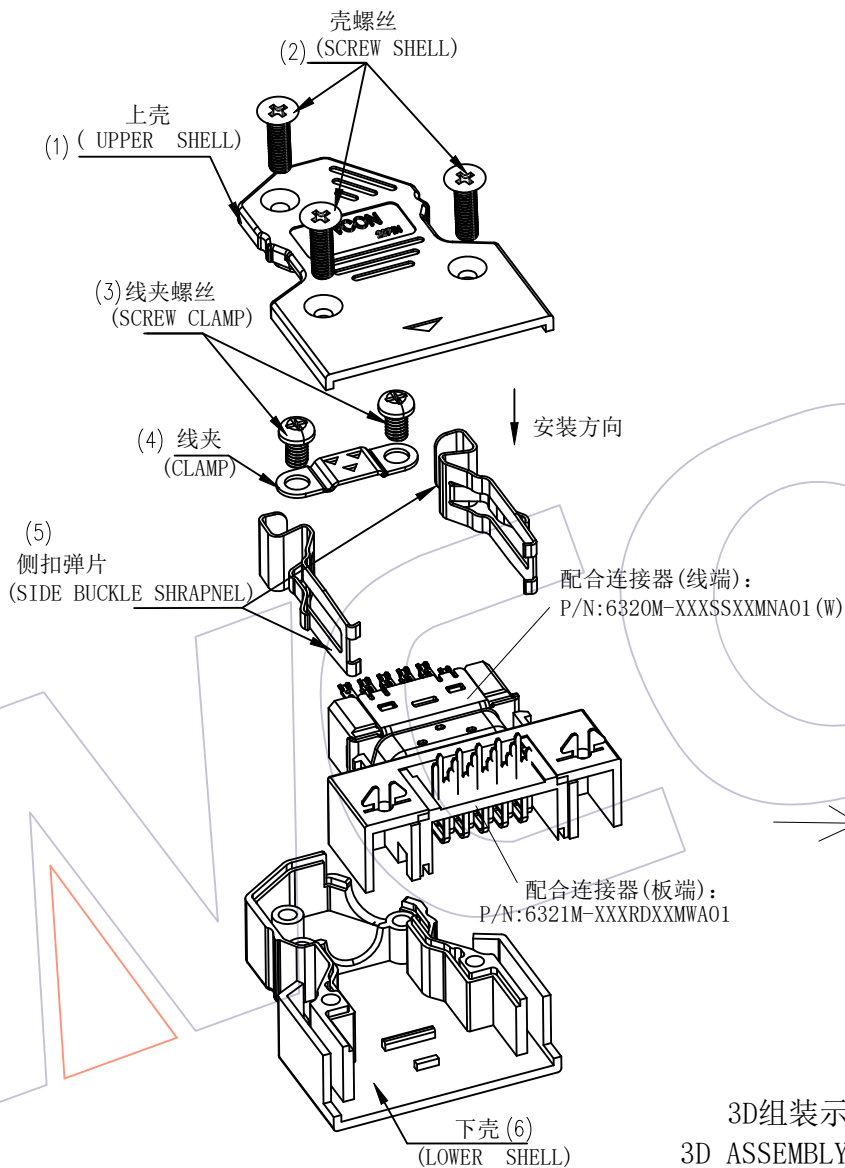
SCALE	FIT
UNIT	mm
SIZE	A4
SHEET	2/3
PROJ.	

PART NO.
6329M-068S00M001W
TITLE:
SCSI ASSEMBLE(68PIN) (6PCS)
Customer NO.

WCON
Http: www.wcon.com
WCON-Dongguan Tel: +86 769 85358920 Fax: +86 769 85358915 E-mail: sales@wcon.com
WCON-Kunshan Tel: +86 512 57468408 Fax: +86 512 57468468 E-mail: sales@wcon.com

1 2 3 4 5 6 7 8 9 10

HSF



装配及应用:

1. 如图, 将连接器组件如图所示装入两壳中间, 装入螺钉固定;
2. Applicable Wires

Size #1	AWG 28 or AWG26
---------	-----------------

3D组装示意图
3D ASSEMBLY SKETCH

REV	DATE	MODIFICATION DESCRIPTION	CHANGE	OPERATION	DRAW	DATE	SCALE	FIT	PART NO.
A1	2023/10/25	Modify	/	X.X ±0.40	NYF	2023/10/25	UNIT	mm	6329M-068S00M001W
A0	2022/03/03	NEW	/	X.XX ±0.25	CHECK	DATE	SIZE	A4	TITLE: SCSI ASSEMBLE(68PIN) (6PCS)
				X.XXX ±0.15	APPROVE	DATE	SHEET	3/3	Customer NO.
				Angle ± 3°			PROJ.		
				DIM TOL					

WCON

Http: www.wcon.com

WCON-Dongguan Tel: +86 769 85358920 Fax: +86 769 85358915 E-mail: sales@wcon.com	WCON-Kunshan Tel: +86 512 57468408 Fax: +86 512 57468468 E-mail: salesks@wcon.com
---	--