

# HSF

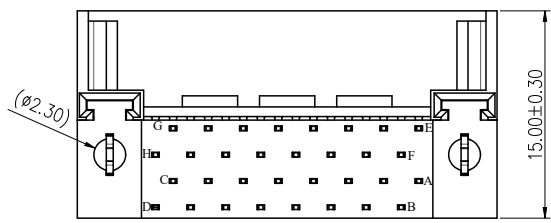
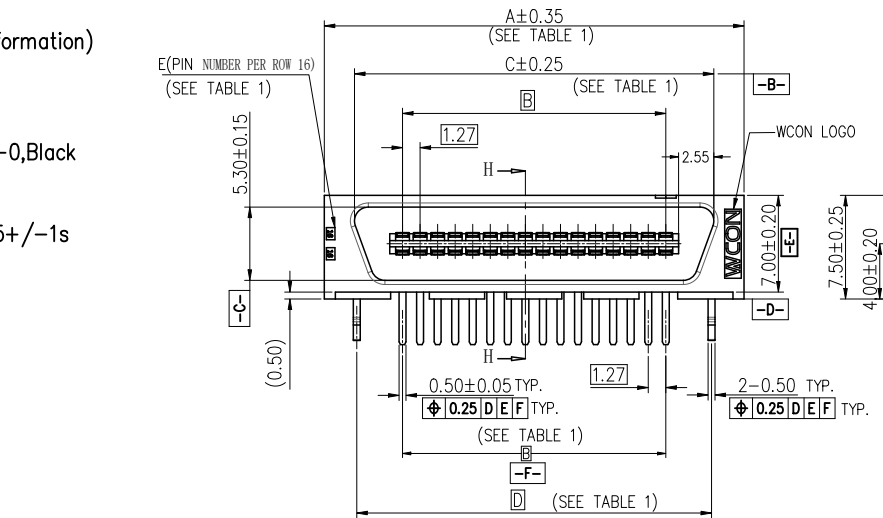
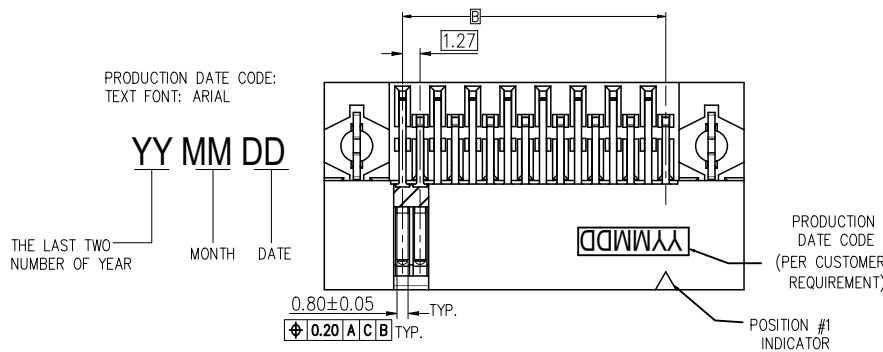
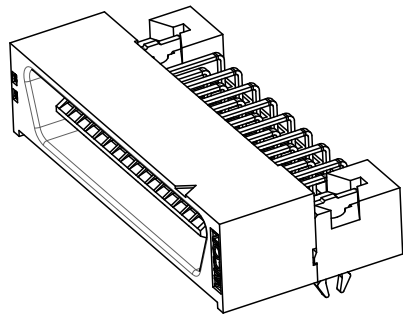
**NOTES:**

Current Rating: 0.5AMP  
 Voltage Rating: 125V  
 Contact Resistance: 45mΩ Max  
 Withstand Voltage: 500V AC/minute  
 Insulation Resistance: 1,000MΩ Min  
 Operation Temperature: -55°C to +105°C

Contact And Lock Material: Copper Alloy  
 Contact Plating:  
 xxu" Gold On Contact Area, (See Ordering Information)  
 100u" Matte Tin On Solder Area  
 50u" Nickel Underplating Overall

Insulator And Back Cover Material: LCP, G.F, UL94V-0, Black

Recommended Process:  
 Wave Soldering, Peak Temperature: 260±5°C For 5+/-1s



Recommended P.C.B Layout (Top Side)  
 (PCB BOARD TOLERANCE ±0.05)  
 PCB Thickness: 1.6mm REF

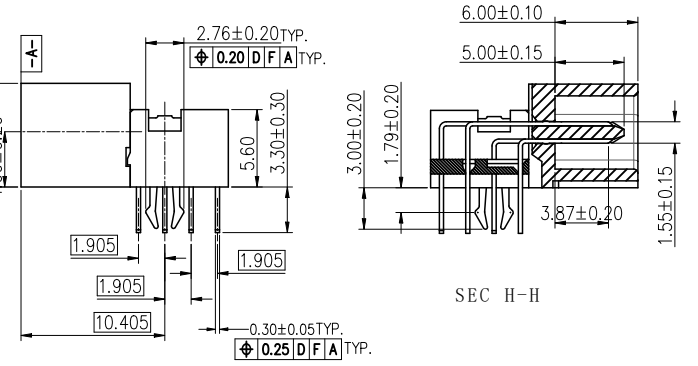
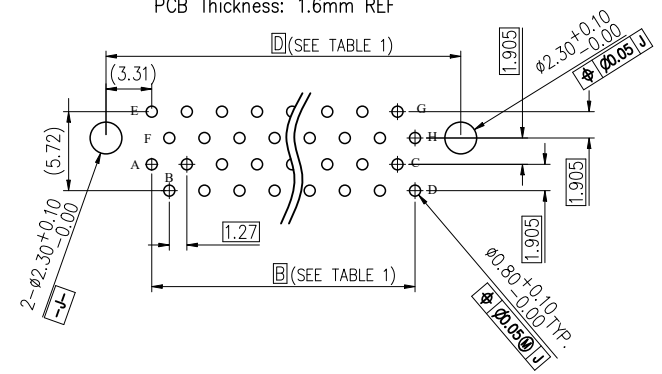


TABLE 3:

Item	Pitch	Mating
Standard	1.27	6321H
Alternate		

REV	DATE	MODIFICATION DESCRIPTION	CHANGE	OPERATION	DRAW	DATE	SCALE	FIT	PART NO.
A0	2021/04/15	NEW	Morris	x.x ±0.40	Morris	2021/04/15	UNIT	mm	6320H-XXXRDXPWX11
				x.xx ±0.25	CHECK	DATE	in	A4	TITLE:
				x.xxx ±0.15	APPROVE	DATE	SHEET	1/4	1.27mm SCSI Connector, Male, R/A DIP Type, W/ Lock
				Angle ± 3°			PROJ.	Customer NO.	
				DIM TOL					

**WCON**  
 Http: www.wcon.com

WCON-Dongguan Tel: +86 769 85358920  
 WCON-Kunshan Tel: +86 512 57468408  
 Fax: +86 769 85358915 Fax: +86 512 57468468  
 E-mail: sales@wcon.com E-mail: salesks@wcon.com

HSF

# Ordering Information

6320H - XXX R D WX PW X 11

No. Of Pins: \_\_\_\_\_  
20~120Pin,  
More Detail  
Please See Table 1

Type Code: \_\_\_\_\_  
R=R/A

Contact Tail Shape: \_\_\_\_\_  
D=Through Hole

Internal Code:  
01=W/O LOGO  
11=W/T WCON LOGO&DC

Packaging Way:  
R=Tape & Reel,  
T=Tube,

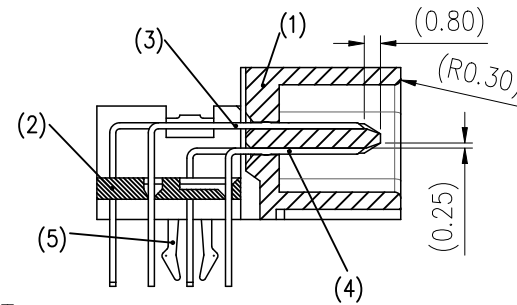
W:  
With Fork

P:  
All Plastic

Contact Plating  
W1=3u" Gold/ Tin,  
W2=5u" Gold/ Tin,  
W3=10u" Gold/ Tin,  
W4=15u" Gold/ Tin,  
W5=30u" Gold/ Tin,

TABLE 1:

Pin No.	Part Number	Dim.A	Dim.B	Dim.C	Dim.D	E
20P	6320H-020RDXSPWX11	22.75±0.25	11.43	18.38±0.15	18.05	10
32P	6320H-032RDXSPWX11	30.37±0.25	19.05	26.00±0.15	25.67	16
40P	6320H-040RDXSPWX11	35.45±0.25	24.13	31.08±0.15	30.75	20
52P	6320H-052RDXSPWX11	43.07±0.30	31.75	38.70±0.20	38.37	26
60P	6320H-060RDXSPWX11	48.15±0.30	36.83	43.78±0.20	43.45	30
68P	6320H-068RDXSPWX11	53.23±0.30	41.91	48.86±0.20	48.53	34
80P	6320H-080RDXSPWX11	60.85±0.35	49.53	56.48±0.25	56.15	40
100P	6320H-100RDXSPWX11	73.55±0.35	62.23	69.18±0.25	68.85	50
120P	6320H-120RDXSPWX11	86.25±0.35	74.93	81.88±0.25	81.55	60

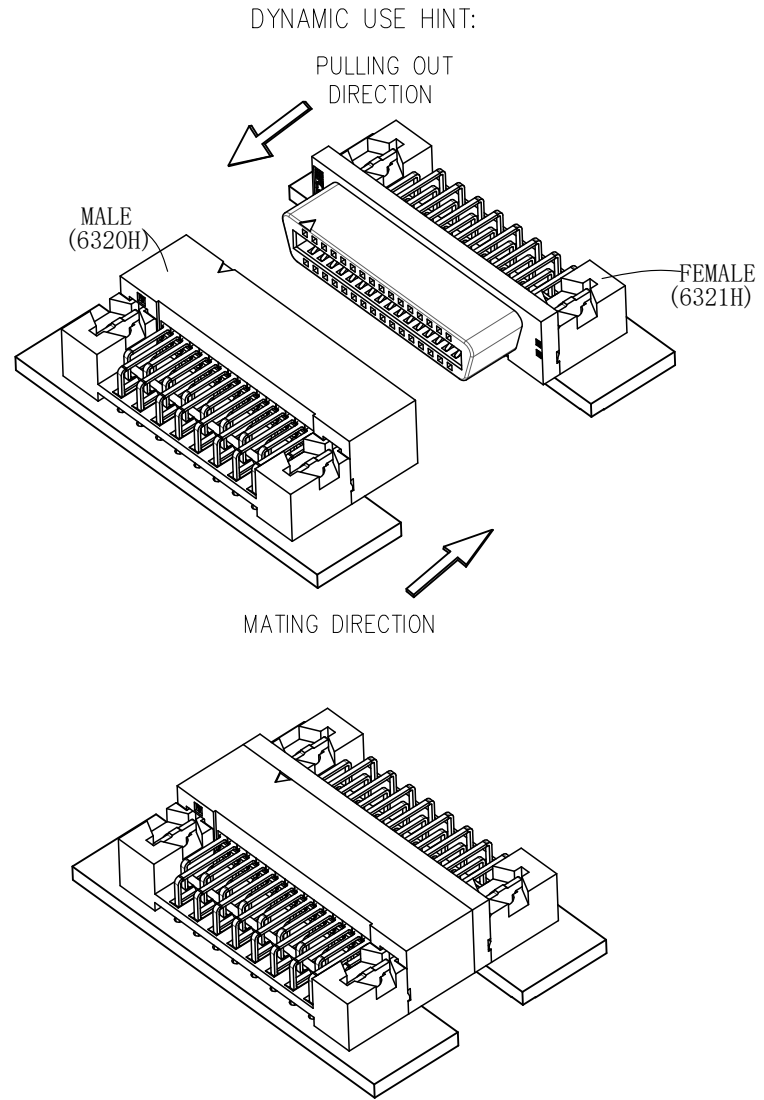
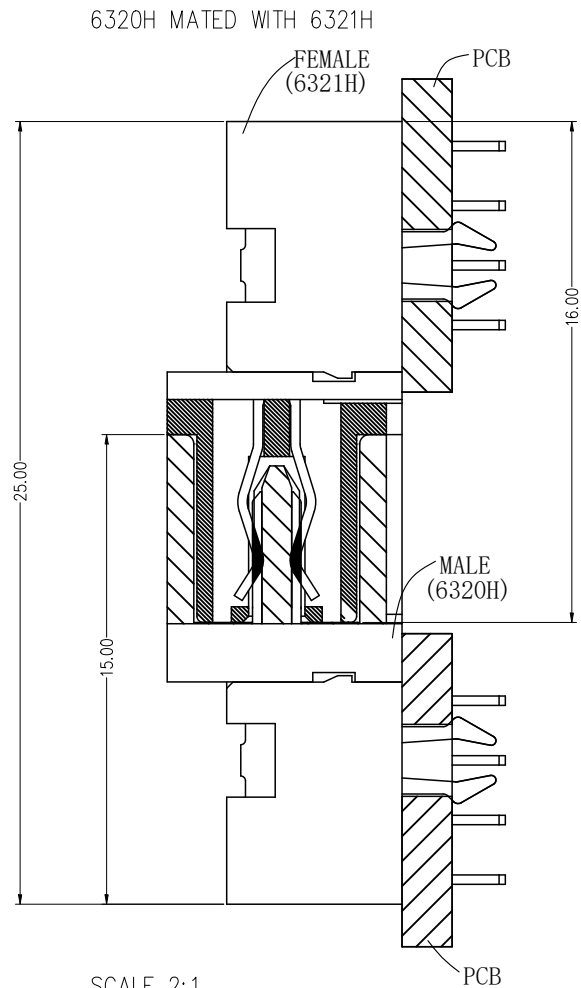


## BOM LIST


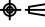
ITEM	NAME	P/N	COUNT	MATERIAL
(5)	Forklock	M6320D-PXX01	2	PB C5191R,T=0.50mm
(4)	TERMINAL-ML	T6320H-PTXX13	X	PB C5191R,T=0.30mm
(3)	TERMINAL-L	T6320H-PTXX23	X	
(2)	PLASTIC COVER	G6320H-XXBC02	1	LCP+30%GF UL94-V0
(1)	PLASTIC BODY	G6320H-XXXBPW02W	1	LCP+30%GF UL94-V0
ITEM	NAME	P/N	COUNT	MATERIAL

REV	DATE	MODIFICATION DESCRIPTION	CHANGE	OPERATION		DRAW	DATE	SCALE	FIT	PART NO.	TITLE:	WCON	
				x.x	±0.40							Morris	2021/04/15
				x.xx	±0.25	CHECK	DATE	SIZE	A4	6320H-XXXRDXSPWX11	1.27mm SCSI Connector, Male, R/A DIP Type, W/ Lock	Tel: +86 769 85358920	Tel: +86 512 57468408
A0	2021/04/15	NEW	Morris	x.xxx	±0.15	APPROVE	DATE	SHEET	2/4			Customer NO.	Fax: +86 769 85358915
				Angle	± 3°		DATE	PROJ.	⌀		E-mail: sales@wcon.com	E-mail: salesks@wcon.com	

HSF



ASSEMBLY COMPLETION STATUS

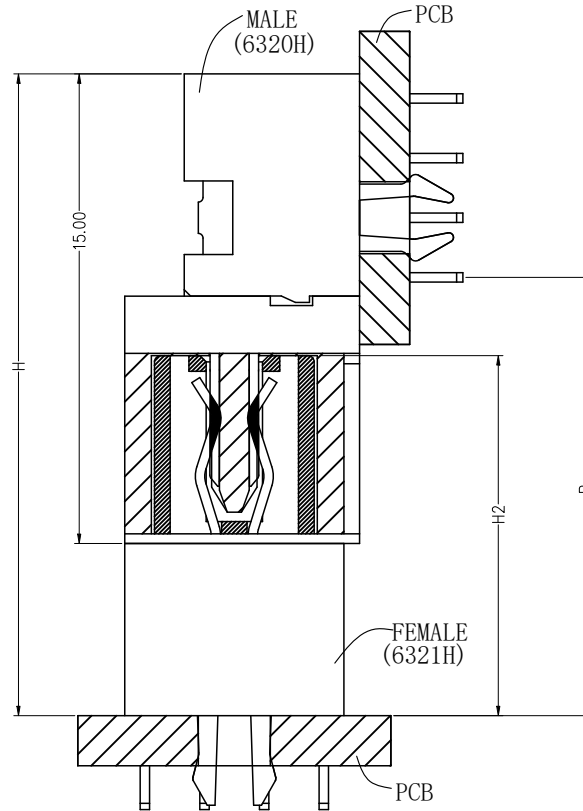
				OPERATION	DRAW	DATE	SCALE	FIT	PART NO.	 <a href="http://www.wcon.com">Http: www.wcon.com</a> WCON-Dongguan      WCON-Kunshan Tel: +86 769 85358920      Tel: +86 512 57468408 Fax: +86 769 85358915      Fax: +86 512 57468468 E-mail: sales@wcon.com      E-mail: salesks@wcon.com
				x.x      ±0.40	Morris	2021/04/15	UNIT	mm inch	TITLE:	
				x.xx      ±0.25	CHECK	DATE	SIZE	A4	1.27mm SCSI Connector, Male, R/A DIP Type, W/ Lock	
				x.xxx      ±0.15	APPROVE	DATE	SHEET	3/4	Customer NO.	
AO	2021/04/15	NEW	Morris	Angle      ± 3°			PROJ.			
REV	DATE	MODIFICATION DESCRIPTION	CHANGE	DIM	TOL					

HSF

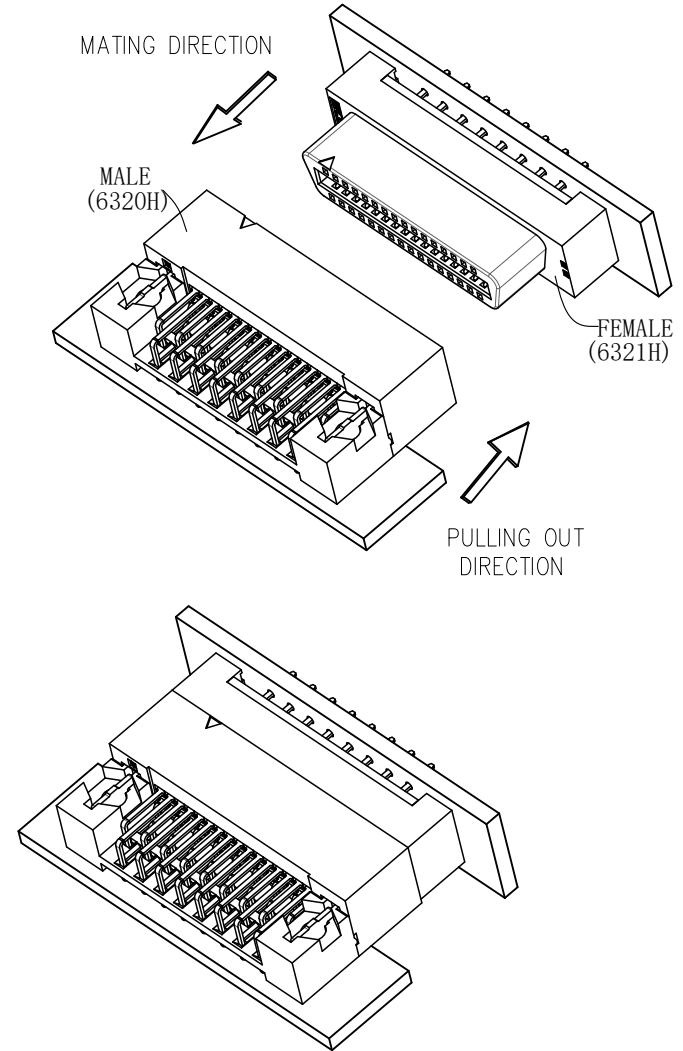
6320H MATED WITH 6321H

TABLE 2:


ASS'Y HIGH(H)	FEMALE(180°)	
	H2	B
18.50	9.50	12.00
20.50	11.50	14.00



DYNAMIC USE HINT:



ASSEMBLY COMPLETION STATUS

				OPERATION	DRAW	DATE	SCALE	FIT	PART NO.	 <a href="http://www.wcon.com">Http: www.wcon.com</a> WCON-Dongguan      WCON-Kunshan Tel: +86 769 85358920      Tel: +86 512 57468408 Fax: +86 769 85358915      Fax: +86 512 57468468 E-mail: sales@wcon.com      E-mail: salesks@wcon.com
				x.x      ±0.40	Morris	2021/04/15	UNIT	mm inch	6320H-XXXRDXPWX11	
				x.xx      ±0.25	CHECK	DATE	SIZE	A4	TITLE:	
				x.xxx      ±0.15	APPROVE	DATE	SHEET	4/4	1.27mm SCSI Connector, Male, R/A DIP Type, W/ Lock	
AO	2021/04/15	NEW	Morris	Angle      ± 3°			PROJ.	⌀	Customer NO.	
REV	DATE	MODIFICATION DESCRIPTION	CHANGE	DIM      TOL						