

HSF

Recommended P.C.B Layout (Top Side)
(PCB BOARD TOLERANCE ± 0.05)

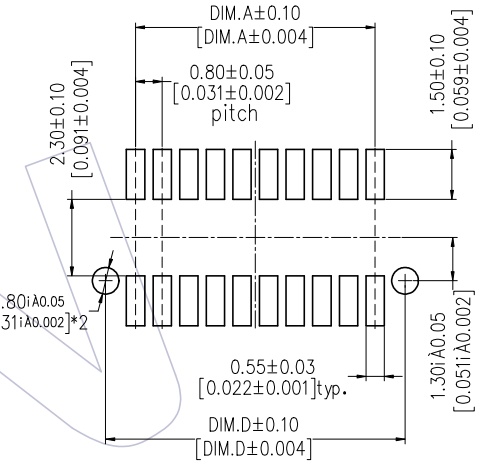
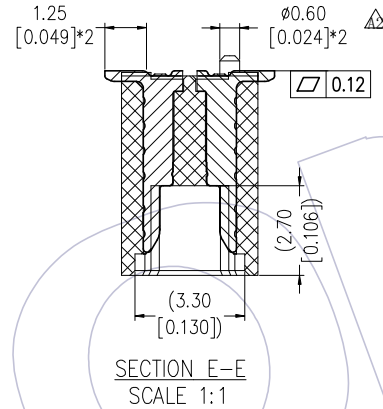
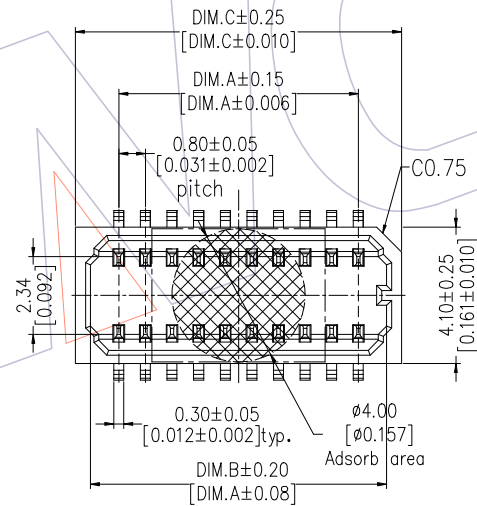
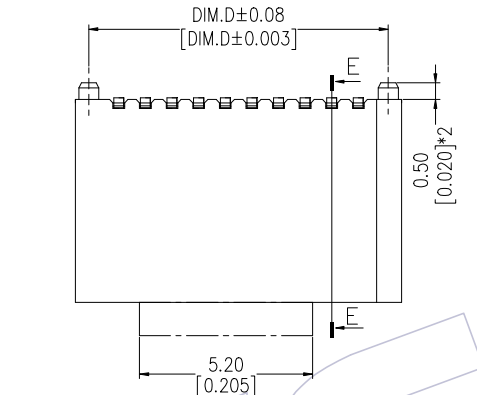
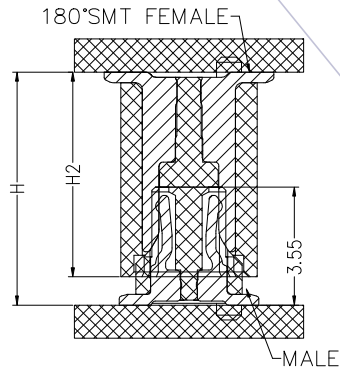
NOTES:
Current Rating: 0.5AMP
Contact Resistance: 30m Ω max
Withstand Voltage: 500V AC/DC
Insulation Resistance: 100M Ω min
Operation Temperature: -20°C to $+105^{\circ}\text{C}$

Contact Material: Phosphor Bronze
Housing Material: PA9T Natural(UL94V-0)
CAP Material: LCP Natural(UL94V-0)
Contact plating: Au or Sn over Ni

Ordering Information

3612-S XXX - XXX XX R 01

No. of Pins Housing High Contact Plating T=Tube
Female=H2 Female=H2 G1=3u"Gold P=Tube+CAP
G2=5u"Gold R=Tape&Reel+CAP
S1=3u"Gold/Tin S2=5u"Gold/Tin



| PART NO. | FEMALE(H2) |
|--------------------|------------|
| 3612-SXXX-036XXR01 | 3.65 |
| 3612-SXXX-041XXR01 | 4.15 |
| 3612-SXXX-047XXR01 | 4.70 |
| 3612-SXXX-051XXR01 | 5.15 |
| 3612-SXXX-056XXR01 | 5.65 |
| 3612-SXXX-061XXR01 | 6.15 |

| 17.00 | 17.80 | 16.90 | 15.20 | 40 |
|-------|-------|-------|-------|---------|
| 16.20 | 17.00 | 16.10 | 14.40 | 38 |
| 15.40 | 16.20 | 15.30 | 13.60 | 36 |
| 14.60 | 15.40 | 14.50 | 12.80 | 34 |
| 13.80 | 14.60 | 13.70 | 12.00 | 32 |
| 13.00 | 13.80 | 12.90 | 11.20 | 30 |
| 12.20 | 13.00 | 12.10 | 10.40 | 28 |
| 11.40 | 12.20 | 11.30 | 9.60 | 26 |
| 10.60 | 11.40 | 10.50 | 8.80 | 24 |
| 9.80 | 10.60 | 9.70 | 8.00 | 22 |
| 9.00 | 9.80 | 8.90 | 7.20 | 20 |
| 8.20 | 9.00 | 8.10 | 6.40 | 18 |
| 7.40 | 8.20 | 7.30 | 5.60 | 16 |
| 6.60 | 7.40 | 6.50 | 4.80 | 14 |
| 5.80 | 6.60 | 5.70 | 4.00 | 12 |
| 5.00 | 5.80 | 4.90 | 3.20 | 10 |
| DIM.D | DIM.C | DIM.B | DIM.A | PIN NO. |

| ASS'Y HEIGHT(H) | FEMALE(H2) | MALE(H1) |
|-----------------|------------|----------|
| 4.50 | 3.65 | 3.55 |
| 5.00 | 4.15 | |
| 5.55 | 4.70 | |
| 6.00 | 5.15 | |
| 6.50 | 5.65 | |
| 7.00 | 6.15 | |

MATED
DRAWING(REF.)DRAWING(REF.)

| REV | DATE | MODIFICATION DESCRIPTION | CHANGE | OPERATION | DRAW | DATE | SCALE | FIT | PART NO. |
|-----|------------|-------------------------------------|--------|-------------|---------|------------|-------|--------------|--------------------|
| A2 | 2015/12/29 | 内柱位置: 1.20 → 1.30 大小: ø0.75 → ø0.60 | △ | x.x ±0.40 | JYHuang | 2015/12/29 | UNIT | mm | 3612-SXXX-XXXXXR01 |
| A1 | 2013/05/02 | Modify | △ | x.xx ±0.25 | CHECK | DATE | inch | A4 | |
| A0 | 2013/03/22 | NEW | — | x.xxx ±0.15 | APPROVE | DATE | SHEET | | 1/1 |
| | | | | Angle ± 3' | | | PROJ. | Customer NO. | |

WCON
Http: www.wcon.com

WCON-Dongguan WCON-Kunshan
Tel: +86 769 85358920 Tel: +86 512 57468408
Fax: +86 769 85358915 Fax: +86 512 57468468
E-mail: sales@wcon.com E-mail: salesks@wcon.com