

# HSF

Recommended P.C.B Layout (Top Side)  
(PCB BOARD TOLERANCE  $\pm 0.05$ )

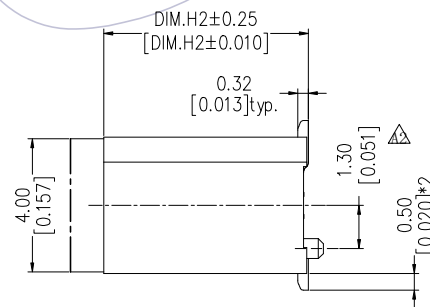
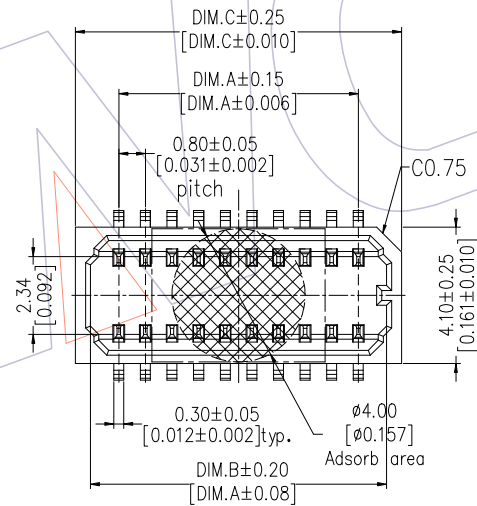
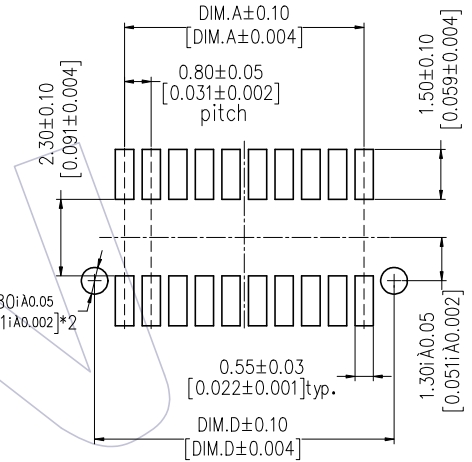
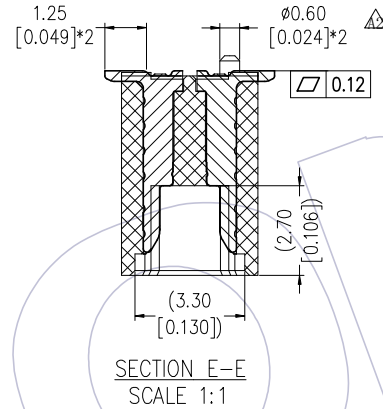
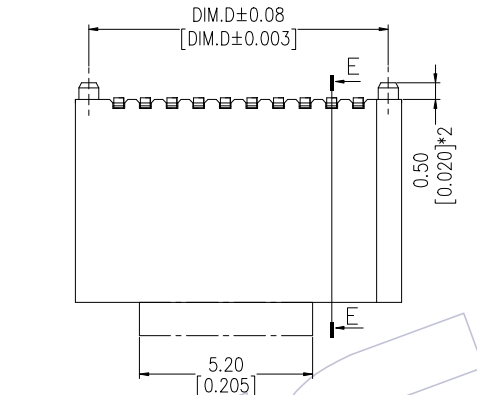
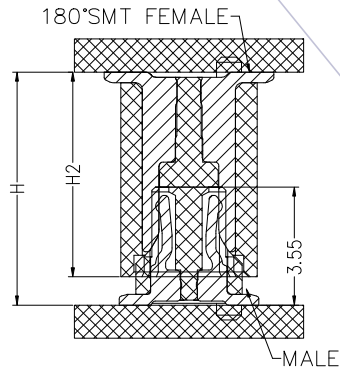
NOTES:  
Current Rating: 0.5AMP  
Contact Resistance: 30m $\Omega$  max  
Withstand Voltage: 500V AC/DC  
Insulation Resistance: 100M $\Omega$  min  
Operation Temperature:  $-20^{\circ}\text{C}$  to  $+105^{\circ}\text{C}$

Contact Material: Phosphor Bronze  
Housing Material: PA9T Natural(UL94V-0)  
CAP Material: LCP Natural(UL94V-0)  
Contact plating: Au or Sn over Ni

### Ordering Information

3612-S XXX - XXX XX R 01

No. of Pins    Housing High    Contact Plating    T=Tube  
Female=H2    Female=H2    G1=3u"Gold    P=Tube+CAP  
G2=5u"Gold    R=Tape&Reel+CAP  
S1=3u"Gold/Tin    S2=5u"Gold/Tin



PART NO.	FEMALE(H2)
3612-SXXX-036XXR01	3.65
3612-SXXX-041XXR01	4.15
3612-SXXX-047XXR01	4.70
3612-SXXX-051XXR01	5.15
3612-SXXX-056XXR01	5.65
3612-SXXX-061XXR01	6.15

17.00	17.80	16.90	15.20	40
16.20	17.00	16.10	14.40	38
15.40	16.20	15.30	13.60	36
14.60	15.40	14.50	12.80	34
13.80	14.60	13.70	12.00	32
13.00	13.80	12.90	11.20	30
12.20	13.00	12.10	10.40	28
11.40	12.20	11.30	9.60	26
10.60	11.40	10.50	8.80	24
9.80	10.60	9.70	8.00	22
9.00	9.80	8.90	7.20	20
8.20	9.00	8.10	6.40	18
7.40	8.20	7.30	5.60	16
6.60	7.40	6.50	4.80	14
5.80	6.60	5.70	4.00	12
5.00	5.80	4.90	3.20	10
DIM.D	DIM.C	DIM.B	DIM.A	PIN NO.

ASS'Y HEIGHT(H)	FEMALE(H2)	MALE(H1)
4.50	3.65	3.55
5.00	4.15	
5.55	4.70	
6.00	5.15	
6.50	5.65	
7.00	6.15	

MATED  
DRAWING(REF.) DRAWING(REF.)

REV	DATE	MODIFICATION DESCRIPTION	CHANGE	OPERATION	DRAW	DATE	SCALE	FIT	PART NO.
A2	2015/12/29	内柱位置: 1.20 $\rightarrow$ 1.30 大小: $\phi 0.75 \rightarrow \phi 0.60$	$\Delta$	x.x $\pm 0.40$	JYHuang	2015/12/29	UNIT	mm	3612-SXXX-XXXXXR01
A1	2013/05/02	Modify	$\Delta$	x.xx $\pm 0.25$	CHECK	DATE	inch		
A0	2013/03/22	NEW	—	x.xxx $\pm 0.15$	APPROVE	DATE	SIZE	A4	TITLE:
				Angle $\pm 3^{\circ}$			SHEET	1/1	"M" FEMALE 180° SMT TYPE
				DIM TOL			PROJ.	$\phi$	Customer NO.

**WCON**  
Http: www.wcon.com

WCON-Dongguan    WCON-Kunshan  
Tel: +86 769 85358920    Tel: +86 512 57468408  
Fax: +86 769 85358915    Fax: +86 512 57468468  
E-mail: sales@wcon.com    E-mail: salesks@wcon.com