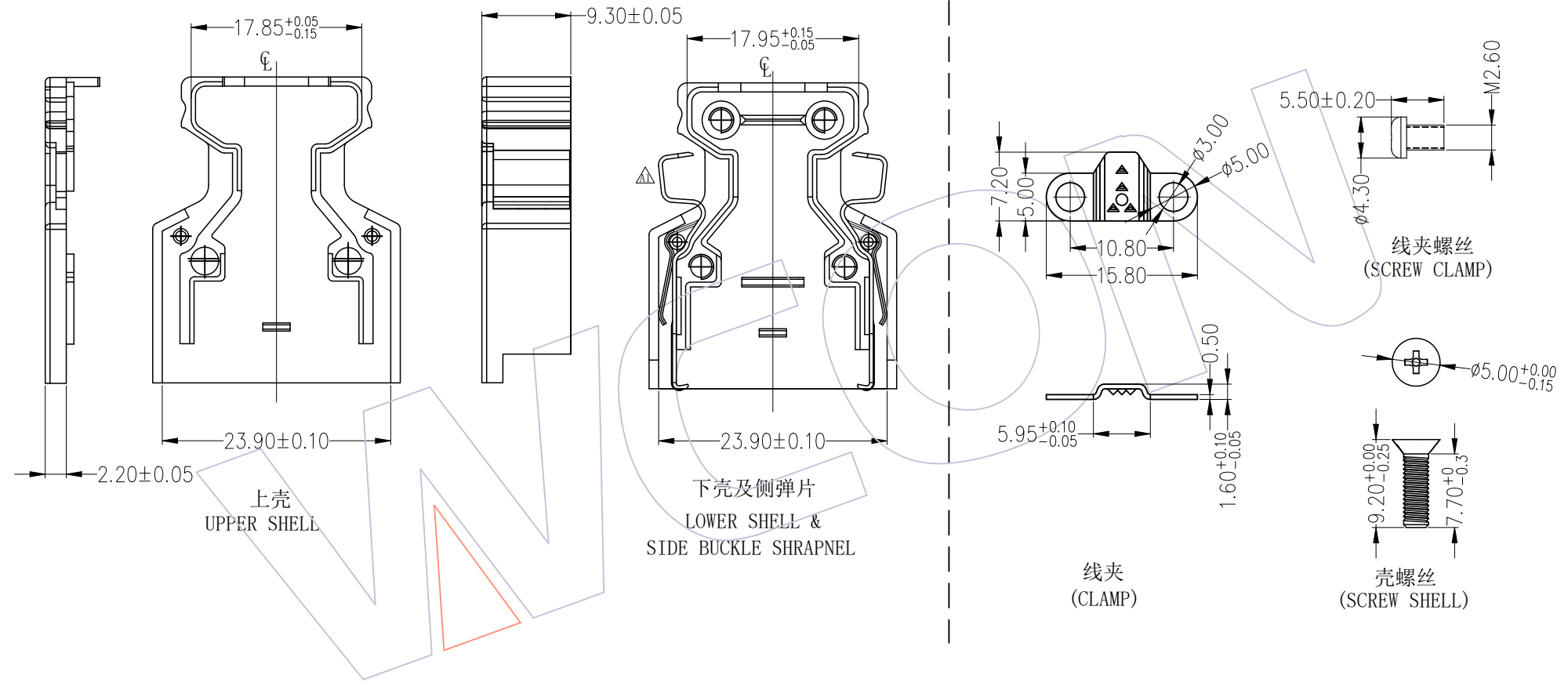


HSF



REV	DATE	MODIFICATION DESCRIPTION	CHANGE
A1	2023/10/24	Modify	/
A0	2022/03/03	NEW	/

OPERATION	ANGLE	DIM	TOL
X.X	± 0.40		
X.XX	± 0.25		
X.XXX	± 0.15		
Angle	$\pm 3^\circ$		
DIM	TOL		

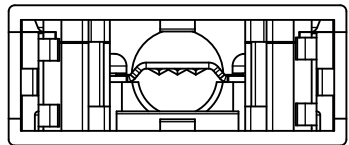
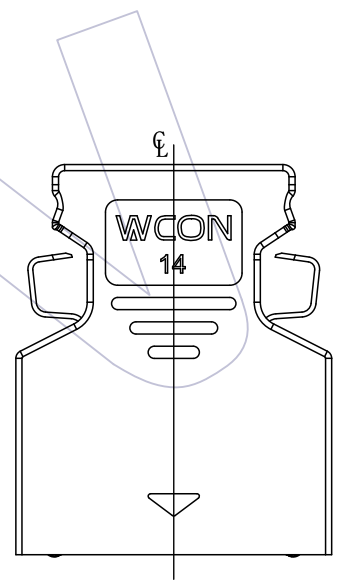
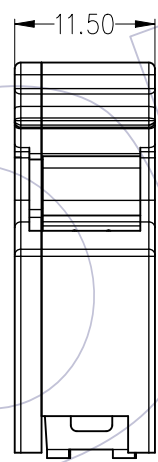
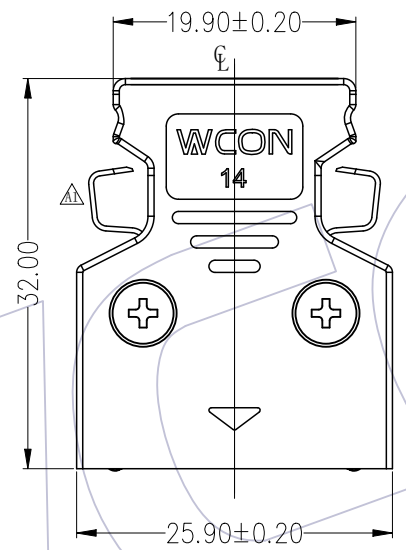
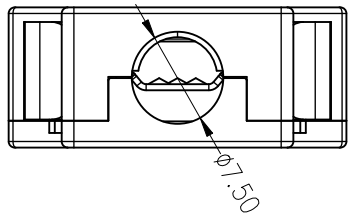
DRAW	DATE	SCALE	FIT	PART NO.
NYF	2023/10/24	UNIT	mm	6328M-014S00M001W
CHECK	DATE	SIZE	A4	TITLE:
APPROVE	DATE	SHEET	2/3	SCSI ASSEMBLE(14PIN) (6PCS)
		PROJ.		Customer NO.

SCALE	FIT	PART NO.
UNIT	mm	6328M-014S00M001W
SIZE	A4	TITLE:
SHEET	2/3	SCSI ASSEMBLE(14PIN) (6PCS)
PROJ.		Customer NO.

WCON
Http: www.wcon.com

WCON-Dongguan Tel: +86 769 85358920
WCON-Kunshan Tel: +86 512 57468408
Fax: +86 769 85358915 Fax: +86 512 57468468
E-mail: sales@wcon.com E-mail: salesks@wcon.com

HSF



Ordering Information

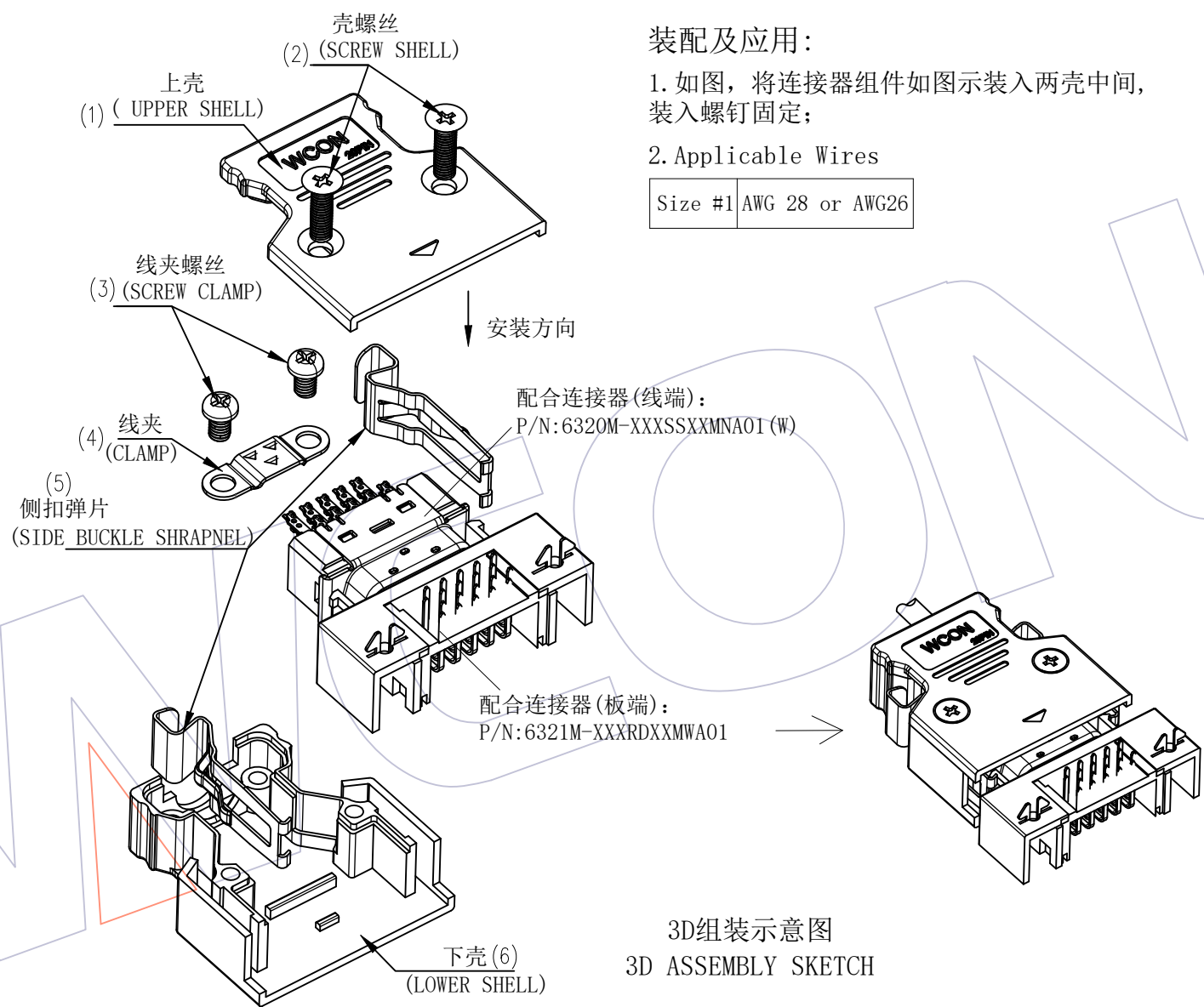
6328M- 014 S 00 M 0 01 W

NO.of pins 14P
 Shell material M=Metal
 Wcon Internal Code: 01
 Contact Plating 00=NO contact
 Packing 0=BAG
 W=W/T WCON

(6)	LOWER SHELL	M6328M-014SNI02W	1	锌合金, 镀高磷镍
(5)	SIDE BUCKLE SHRAPNEL	K6328M-SM002	2	SUS,T=0.40mm
(4)	CLAMP	B6326-014PNI01	1	C5191-H,Plating Ni
(3)	SCREW CLAMP	L6326-SNI01	2	SUS,M2.6,Plating Ni
(2)	SCREW SHELL	L6328M-SNI01	2	SUS,M2.6,Plating Ni
(1)	UPPER SHELL	M6328M-014SNI01W	1	锌合金, 镀高磷镍
ITEM	DESCRIPTION	P/N	Q'TY	MATERIALS

		OPERATION		DRAW		DATE		SCALE		FIT		PART NO.		 Http: www.wcon.com WCON-Dongguan Tel: +86 769 85358920 Fax: +86 769 85358915 E-mail: sales@wcon.com WCON-Kunshan Tel: +86 512 57468408 Fax: +86 512 57468468 E-mail: salesks@wcon.com			
		X.X ±0.40		NYF		2023/10/24		UNIT		mm		TITLE:					
A1		2023/10/24		Modify		/		X.XX ±0.25		CHECK		DATE				SCSI ASSEMBLE(14PIN) (6PCS)	
A0		2022/03/03		NEW		/		X.XXX ±0.15		APPROVE		DATE				Customer NO.	
REV	DATE	MODIFICATION DESCRIPTION		CHANGE	Angle	± 3°	DIM	TOL	PROJ.								

HSF



装配及应用:

1. 如图, 将连接器组件如图示装入两壳中间, 装入螺钉固定;

2. Applicable Wires

Size #1	AWG 28 or AWG26
---------	-----------------

REV	DATE	MODIFICATION DESCRIPTION	CHANGE
A1	2023/10/24	Modify	/
A0	2022/03/03	NEW	/

OPERATION	DRAW	DATE
X.X ±0.40	NYF	2023/10/24
X.XX ±0.25	CHECK	DATE
X.XXX ±0.15	APPROVE	DATE
Angle ± 3°		
DIM TOL		

SCALE	FIT	PART NO.
UNIT mm		6328M-014S00M001W
SIZE A4		TITLE: SCSI ASSEMBLY(14PIN) (6PCS)
SHEET 3/3		Customer NO.
PROJ.		

<p>WCON Http: www.wcon.com</p>	
<p>WCON-Dongguan Tel: +86 769 85358920 Fax: +86 769 85358915 E-mail: sales@wcon.com</p>	<p>WCON-Kunshan Tel: +86 512 57468408 Fax: +86 512 57468468 E-mail: sales@wcon.com</p>

H

H