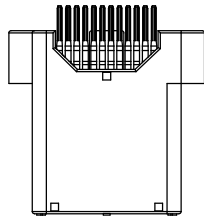


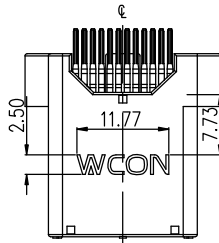
HSF

NOTES:

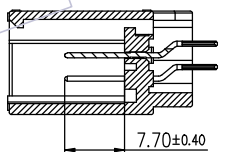
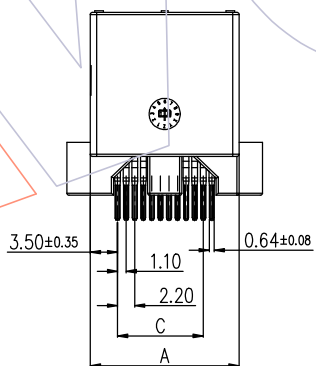
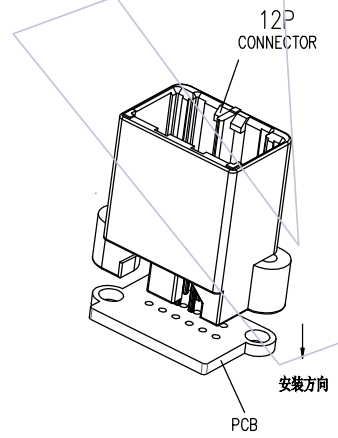
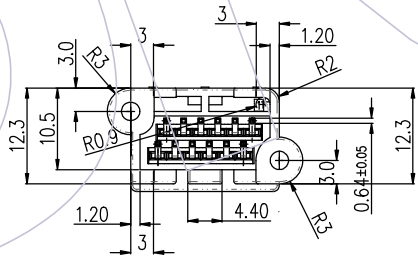
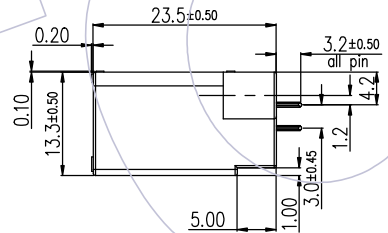
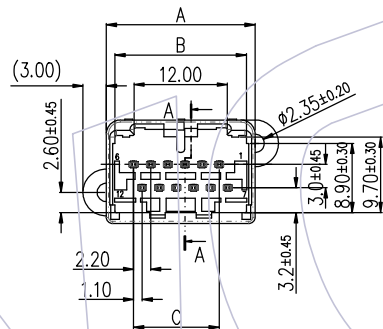
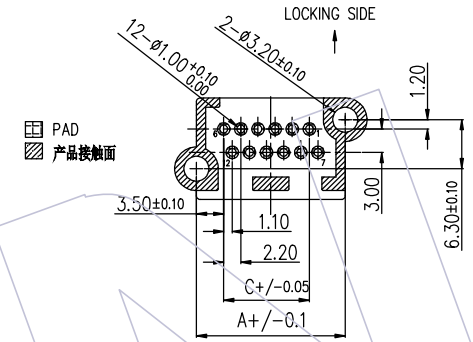
Rated Current: 3.0AMP .
 Contact Resistance: **Initial:**15mΩ Max.
 Final:25mΩ Max.
 Withstand Voltage: 1000V
 Insulation Resistance: 100MΩ Min.
 Operation Temperature: -40℃ to +105℃
 Contact Material:
 copper alloy
 Contact Plating:
 80u” Bright Sn overall;
 50u” Ni underplating overall;
 Insulator Body Material:
 PBT UL94V-0 BLACK/GRAY,UL94V-0
 Recommended process:
 Wave Solder,Peak temperature: 260±5℃,5S;



W/O WCON



W/T WCON



40P	49.9±0.30	47.7±0.30	41.8±0.40
36P	45.5±0.30	43.3±0.30	37.4±0.40
32P	41.1±0.30	38.9±0.30	33.0±0.40
28P	36.7±0.30	34.5±0.30	28.6±0.40
24P	32.3±0.30	30.1±0.30	24.2±0.40
20P	27.9±0.30	25.7±0.30	19.8±0.40
16P	23.5±0.30	21.3±0.30	15.4±0.30
12P	19.1±0.30	16.9±0.30	11.0±0.30
PIN数	A	B	C

REV	DATE	MODIFICATION DESCRIPTION	CHANGE	OPERATION	DRAW	DATE	SCALE	Fit	PART NO.
1	2023/08/14	Update Drawing	Morris	x. ±0.60	Morris	2021/12/29	UNIT	mm [inch]	72230-2 MS XXX A X SN B T 1 W
AO	2021/12/29	NEW	-----	x.X ±0.40	CHECK	DATE	SIZE	A4	TITLE:
				x.XX ±0.25	APPROVE	DATE	SHEET	1/4	2.2*3.0mm Auto-Conn Dual Row, Male, S/T Type
				Angle ± 3°			PROJ.		Customer NO.
				DIM TOL					

WCON

Http: www.wcon.com

WCON-Dongguan WCON-Kunshan

Tel: +86 769 85358920 Tel: +86 512 57468408

Fax: +86 769 85358915 Fax: +86 512 57468468

E-mail: sales@wcon.com E-mail: salesks@wcon.com

HSF

Ordering Information

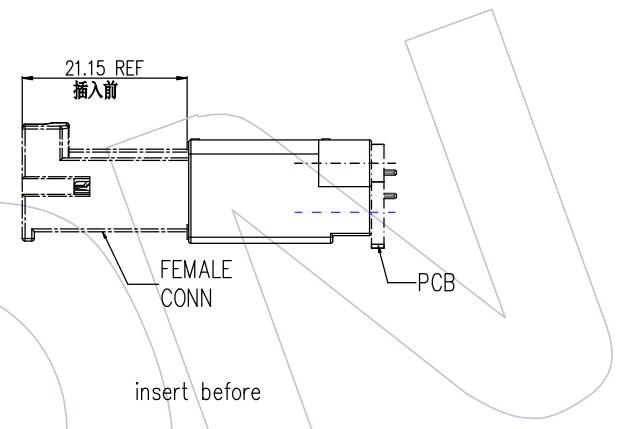
72230-2 MS XXX A X SN B T 1 W

Male
S/T Type
No. of Pins
012=12 Pin
036=36 Pin
040=40 Pin

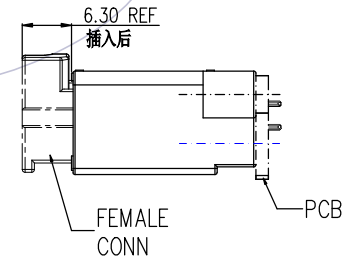
Plastic Material:
A=PBT

W=W/T WCON
Blank=W/O WCON
Wcon Internal Code
Package
T=Tube
Non-watertight
Contact Plating:
Sn Over Ni
Colour: B=Black
G=GRAY

Alignment diagram



insert before



after inserting

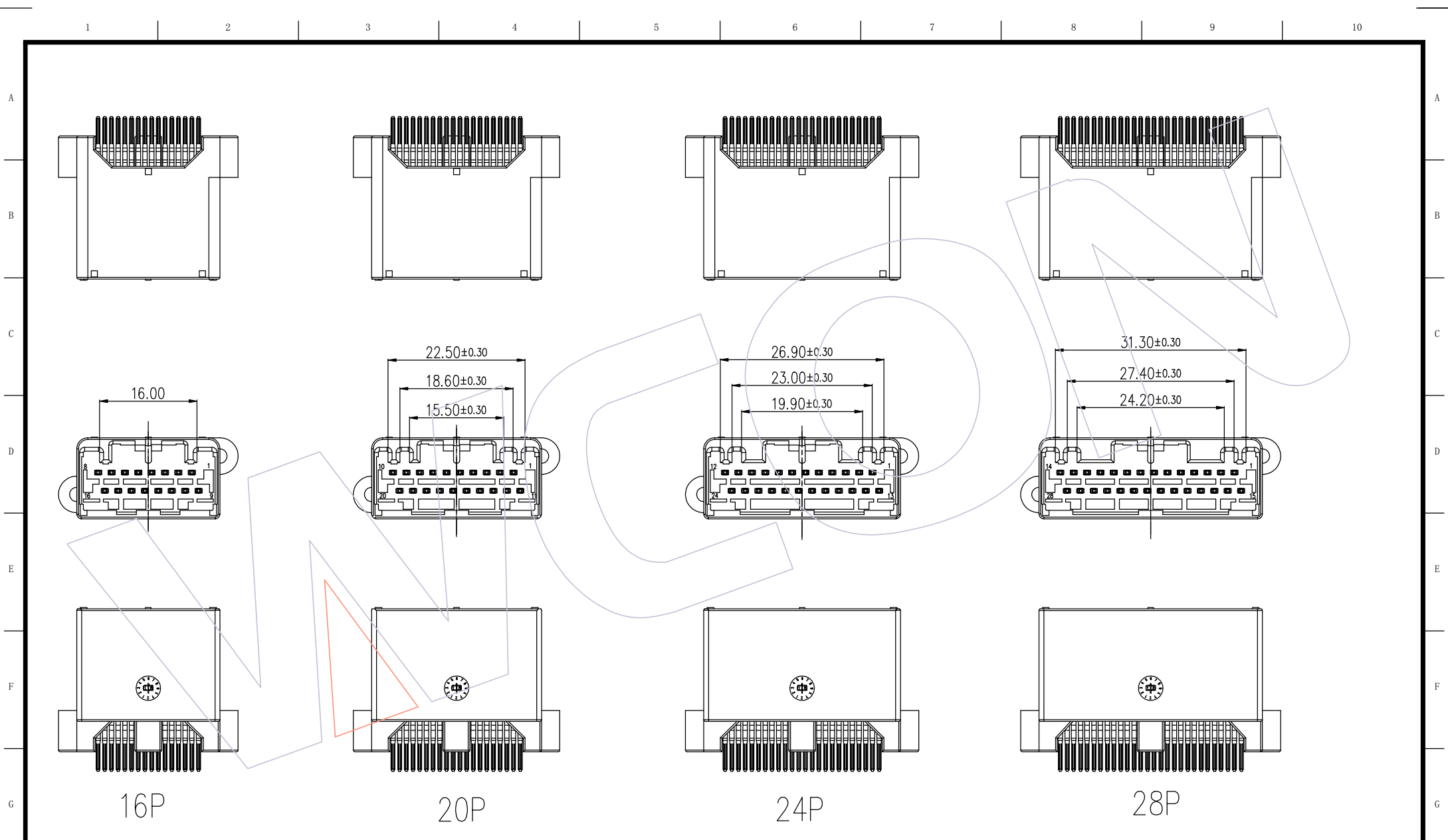
Matching products: 72230-2FCXXXAX00BA1(W)

REV	DATE	MODIFICATION DESCRIPTION	CHANGE	OPERATION		DRAW	DATE	SCALE	Fit	PART NO.
				x.	±0.60					
1	2023/08/14	Update Drawing	Morris	x.x	±0.40	CHECK	DATE	SIZE	A4	72230-2 MS XXX A X SN B T 1 W
AO	2021/12/29	NEW	Morris	x.xx	±0.25	APPROVE	DATE	SHEET	2/4	TITLE: 2.2*3.0mm Auto-Conn Dual Row, Male, S/T Type
				Angle	± 3'			PROJ.	⌀	
				DIM	TOL					

WCON
Http: www.wcon.com

WCON-Dongguan
Tel: +86 769 85358920
Fax: +86 769 85358915
E-mail: sales@wcon.com

WCON-Kunshan
Tel: +86 512 57468408
Fax: +86 512 57468468
E-mail: salesks@wcon.com



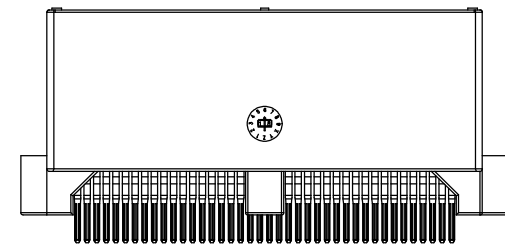
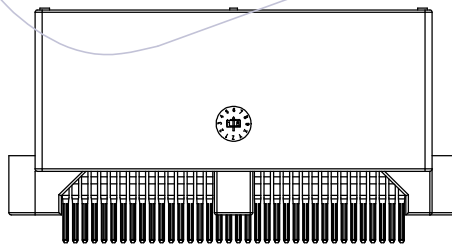
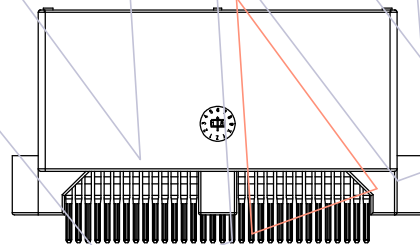
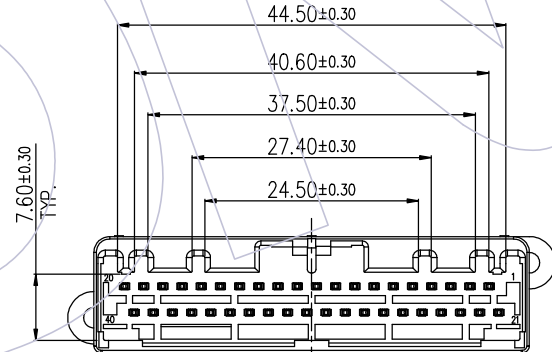
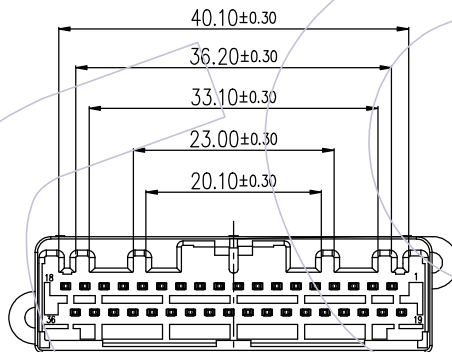
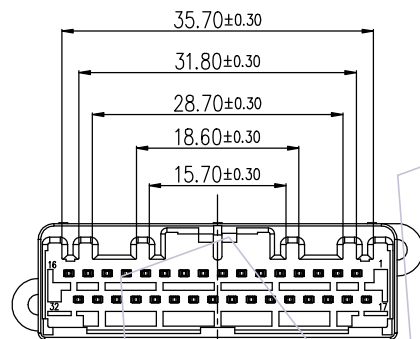
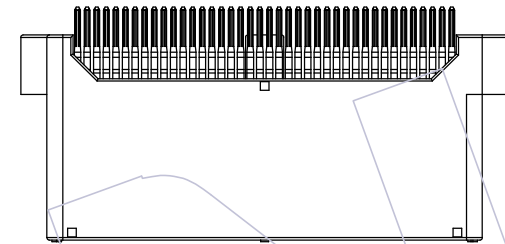
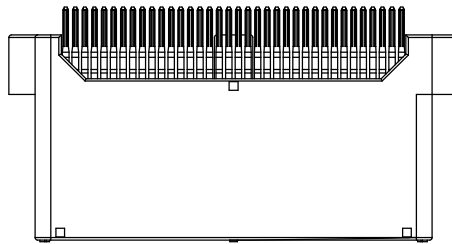
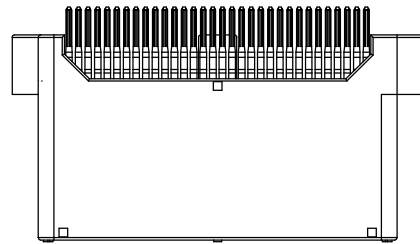
REV	DATE	MODIFICATION DESCRIPTION	CHANGE	OPERATION	DRAW	DATE	SCALE	Fit	PART NO.
1	2023/08/14	Update Drawing	Morris	x. ±0.60	Morris	2021/12/29	UNIT	mm [inch]	72230-2 MS XXX A X SN B T 1 W
AO	2021/12/29	NEW	-----	x.X ±0.40	CHECK	DATE	SIZE	A4	TITLE: 2.2*3.0mm Auto-Conn Dual Row, Male, S/T Type
				x.XX ±0.25	APPROVE	DATE	SHEET	3/4	Customer NO.
				Angle ± 3°			PROJ.	⌀	
				DIM TOL					

WCON
 Http: www.wcon.com

WCON-Dongguan
 Tel: +86 769 85358920
 Fax: +86 769 85358915
 E-mail: sales@wcon.com

WCON-Kunshan
 Tel: +86 512 57468408
 Fax: +86 512 57468468
 E-mail: salesks@wcon.com

HSF



32P

36P

40P

REV	DATE	MODIFICATION DESCRIPTION	CHANGE	OPERATION	DRAW	DATE	SCALE	Fit	PART NO.
1	2023/08/14	Update Drawing	Morris	x. ±0.60	Morris	2021/12/29	UNIT	mm [inch]	72230-2 MS XXX A X SN B T 1 W
AO	2021/12/29	NEW	-----	x.X ±0.40	CHECK	DATE	SIZE	A4	TITLE: 2.2*3.0mm Auto-Conn Dual Row, Male, S/T Type
				x.XX ±0.25	APPROVE	DATE	SHEET	4/4	Customer NO.
				Angle ± 3°			PROJ.		
				DIM TOL					

WCON

Http: www.wcon.com

WCON-Dongguan
Tel: +86 769 85358920
Fax: +86 769 85358915
E-mail: sales@wcon.com

WCON-Kunshan
Tel: +86 512 57468408
Fax: +86 512 57468468
E-mail: salesks@wcon.com