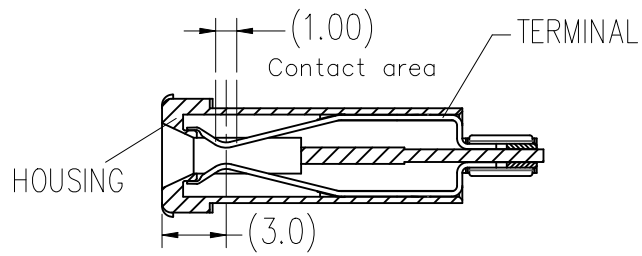
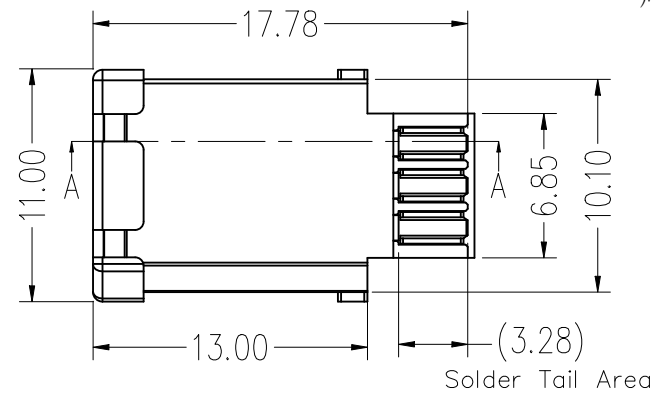
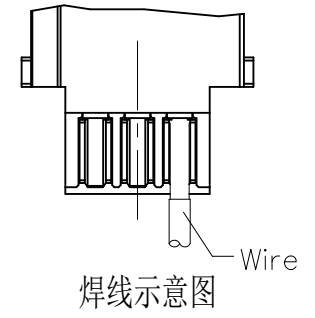
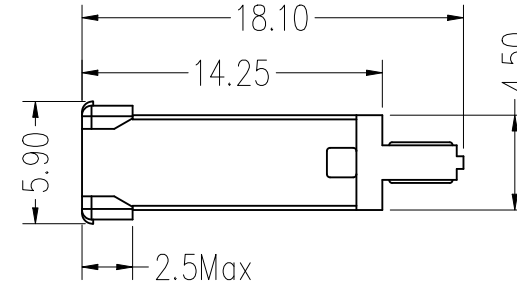
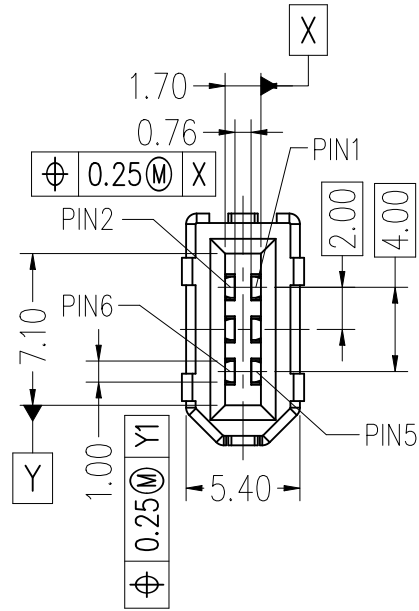


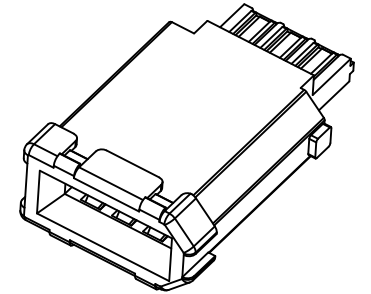
# HSF

## NOTES:

- 1.Current Rating:1.0A ;
- 2.Contact Resistance: 30mΩ Max;
- 3.Withstand Voltage: 500V AC;
- 4.Insulation Resistance: 100MΩ Min;
- 5.Operation Temperature: -40°C to +85°C;
- 6.Insulator Material: PBT,UL94V-0,BK;
- 7.Contact Material: Copper Alloy;
- 8.Contact plating:  
xxμ" Gold on contact area  
(See ordering information),  
80μ" TIN on solder area,  
50μ" Nickel underplating overall;
- 9.Soldering: Solder temperature: 245+/-3°C  
Solder time:3-5 S
- 10.Wire Accommodation:18AWG Max;



SEC A-A



## Ordering Information

**B6131 - 06 F S0 A B X 1**

- Pin: 06-6Pin
- Type: F=Female
- Contact Plating: S0=Gold Flash/Tin, S1=3u"Gold/Tin
- Plastic Material: A=PBT
- Insulator Color: B=Black
- Package: 0: PE bag, A: Tray
- Wcon Internal Code: 1

REV	DATE	MODIFICATION DESCRIPTION	CHANGE	OPERATION	DRAW	DATE	SCALE	FIT	PART NO.
A1	2021/03/25	增加包装方式,更新图面	-----	x.x ±0.40	Morris	2021/03/25	UNIT mm		B6131-06FXXABX1
A0	2020/05/20	NEW	-----	x.xx ±0.25	CHECK	DATE	SIZE A4		TITLE: 2.0mm SIC Connector Female Solder Type
				x.xxx ±0.15			SHEET 1/1		Customer NO.
				Angle ± 3°	APPROVE	DATE	PROJ.		
				DIM TOL					



Http: www.wcon.com

WCON-Dongguan Tel: +86 769 85358920 Fax: +86 769 85358915 E-mail: sales@wcon.com

WCON-Kunshan Tel: +86 512 57468408 Fax: +86 512 57468468 E-mail: salesks@wcon.com