

HSF

NOTES:

Current Rating:1.0A/Pin
 Voltage Rating:30V/AC
 Contact Resistance:Initial value/50mΩ Max.
 After environmental testing 100mΩ Max.
 Withstand Voltage:Initial value/500V AC/minute.
 Insulation Resistance:100MΩ Min.

Operation Temperature:-55°C to +105°C

Insulator Material:PA9T,G.F,UL94V-0,
 BLACK or Natural

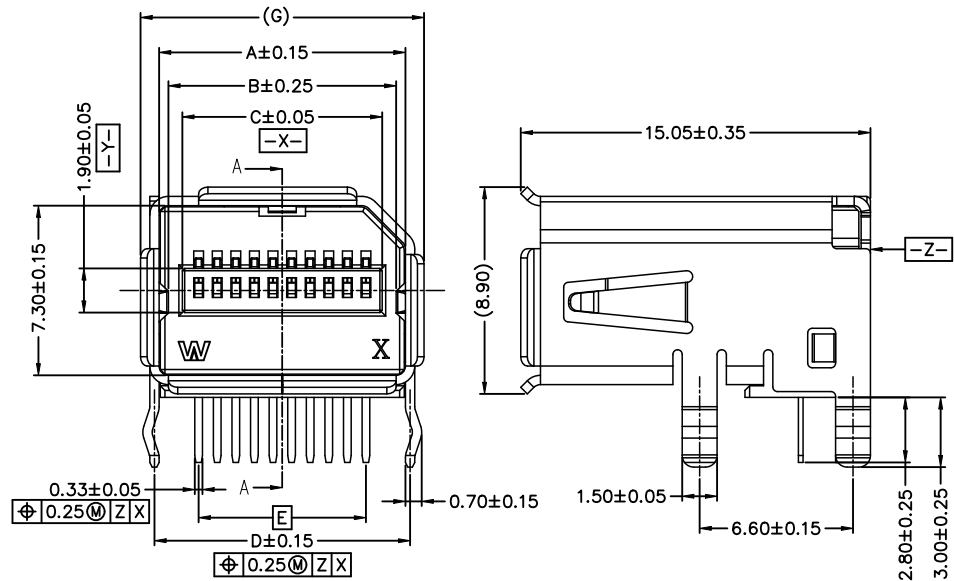
Contact Material:Copper Alloy
 Contact Plating:See Ordering Information
 Shell Material:Copper Alloy
 Shell Plating:50u" nickel underplating overall.

Recommended Process:
 IR Stove,Peak temperature:260±5°C

Ordering Information

6363 - XX F R XX G B N R I

No. of pins: 06=6pin 08=8pin 10=10pin	Wcon Internal Code: 1~9
No. of Pins: F=Female	Packing: R=Tape&Reel
Type Code: R=R/A 90 DIP	Type Code: N=W/O Post
Contact plating: G1=3u" Gold G2=5u" Gold G3=10u" Gold G4=15u" Gold G5=30u" Gold	Color: B=Black
	Material: G=PA9T



Recommended P.C.B layout(Top side)
 (PCB board tolerance±0.05)

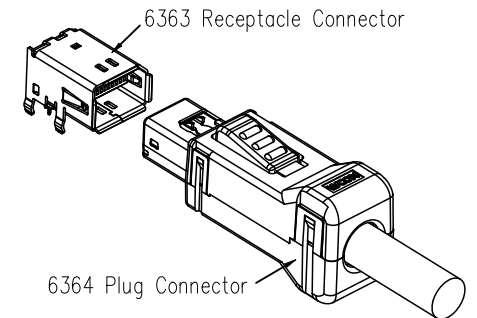
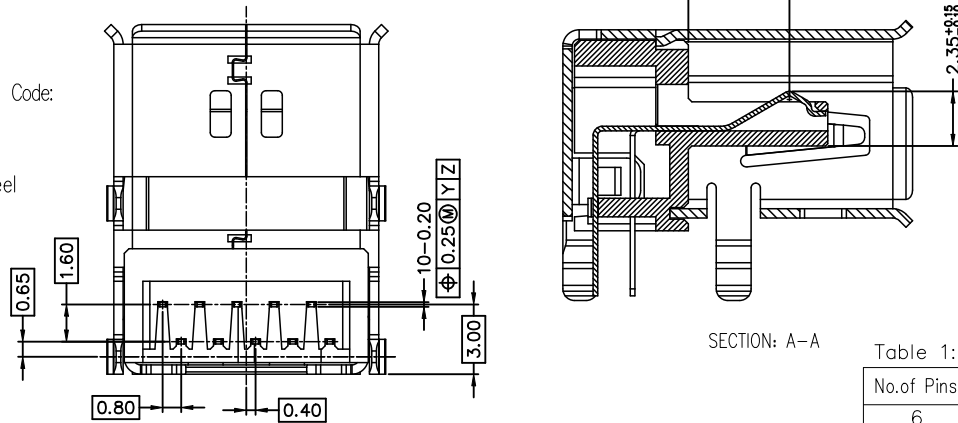
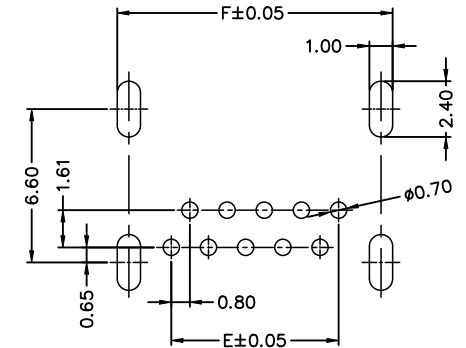


Table 1:

No. of Pins:	A	B	C	D	E	F	G
6	7.40	6.62	5.40	7.80	4.00	8.65	9.00
8	9.00	8.22	7.00	9.40	5.60	10.25	10.60
10	10.60	9.82	8.60	11.00	7.20	11.85	12.20

REV	DATE	MODIFICATION DESCRIPTION	CHANGE	OPERATION	DRAW	DATE	SCALE	Fit	PART NO.
				x.x ±0.40	YE XIAOBING	2022/04/19	UNIT	mm	6363-XX FRXXGBNR1
A1	2022/04/19	修改位置度值		x.xx ±0.25	CHECK	DATE	SIZE	A4	TITLE:
A0	2021/11/17	NEW RELEASE	-	x.xxx ±0.15			SHEET	1/1	0.80mm Micro I/O 10P Receptacle Connector for Interface
				Angle ± 3°	APPROVE	DATE	PROJ.		Customer NO.
				DIM TOL					

WCON

Http: www.wcon.com

WCON-Dongguan Tel: +86 769 85358920 Fax: +86 769 85358915 E-mail: sales@wcon.com	WCON-Kunshan Tel: +86 512 57468408 Fax: +86 512 57468468 E-mail: salesks@wcon.com
---	--