

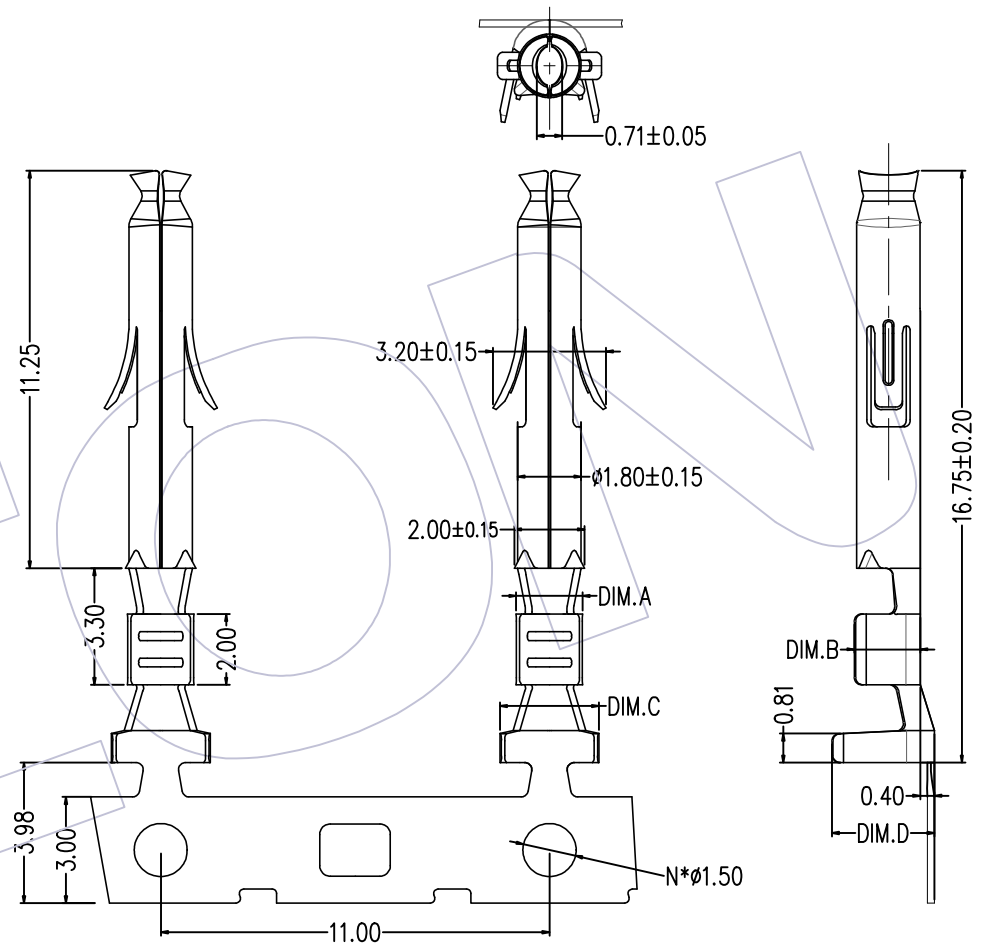
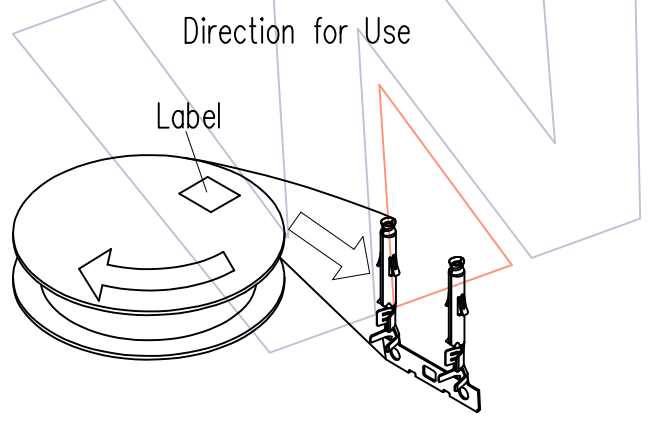
HSF

NOTES:
 Rated Current: 7.0A(16#AWG)
 Applicable Wire: See Table;
 Operation Temperature: -20°C to +85°C
 Contact Material: Copper;
 Contact Plating:
 100μ" Bright TIN overall;
 50μ" Nickel underplating overall;

Ordering Information

WF4141 - T B SN 0X

Crimp Terminal WCON internal code(see Table)
 Material B=BRASS Plating: SN=Tin



TABLE

P/N	DIM A	DIM B	DIM C	DIM D	FINISH	WIRE DIAMETER	O.D
WF4141-TBSN04	1.45	1.37	2.48	1.93	SN 100U"	28AWG, 26AWG	0.89~1.27
WF4141-TBSN03	2.27	2.21	3.62	4.42		20AWG, 18AWG	1.50~2.39
WF4141-TBSN02	2.98	2.77	4.26	3.93		16AWG	2.00~3.20
WF4141-TBSN01	1.92	1.83	2.77	2.92		24AWG, 22AWG	1.20~1.75

REV	DATE	MODIFICATION DESCRIPTION	CHANGE	OPERATION	DRAW	DATE	SCALE	Fit	PART NO.	 Http: www.wcon.com WCON-Dongguan WCON-Kunshan Tel: +86 769 85358920 Tel: +86 512 57468408 Fax: +86 769 85358915 Fax: +86 512 57468468 E-mail: sales@wcon.com E-mail: salesks@wcon.com
				X.	±0.30	2022/11/18	UNIT	mm	WF4141-TBSNOX(SEE TABLE)	
				X.X	±0.30		SIZE	A4	TITLE: 4.14mm Housing Terminal , Female, Crimp Type	
				X.XX	±0.30		SHEET	1/1	Customer NO.	
				Angle	± 3°		PROJ.			
				DIM	TOL					