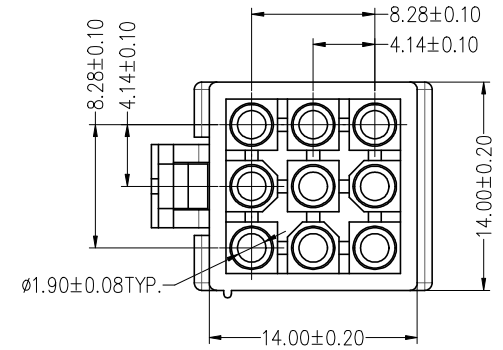
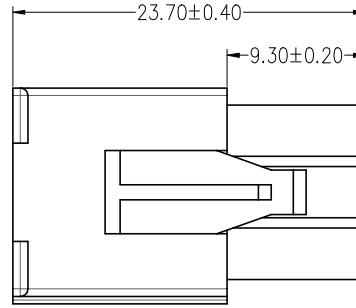
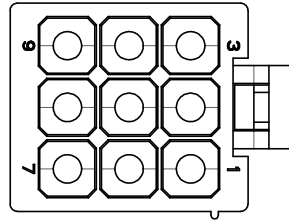


# HSF

NOTES:  
 Withstand Voltage: AC 1500V  
 Insulation Resistance: 1000MΩ/DC 500V  
 Operation Temperature: -20°C to +85°C

Insulator Material: PA66 UL94V-0

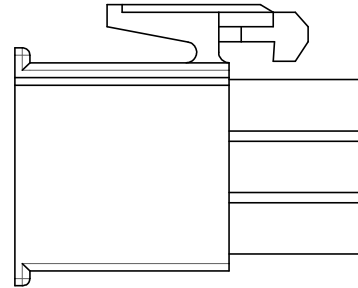


## Ordering Information

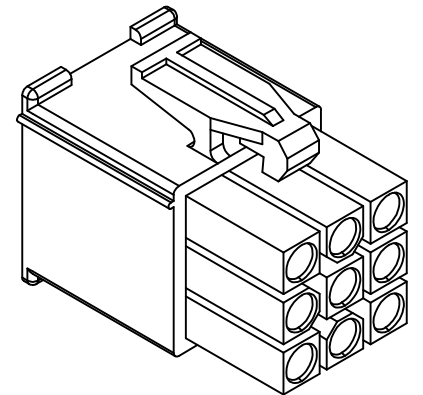
WF4141 - 3 H XX W 0 1

No. of Row three Row  
 Housing (Female)  
 No. of pins  
 03=3X03PIN  
 04=3X04PIN  
 05=3X05PIN

Wcon Internal Code  
 Package  
 0=PE bag  
 Colour  
 W=White



3X3PIN



REV	DATE	MODIFICATION DESCRIPTION	CHANGE	OPERATION		DRAW Morris	DATE 2022/11/18	SCALE UNIT	FIT mm	PART NO. WF4141-3HXXW01
				X.X	±0.30					
				X.XX	±0.25	CHECK	DATE	SIZE	A4	TITLE: 4.14mm Housing, "T" Type, Three Row, W/T Lock
A0	2022/11/18	NEW	---	X.XXX	±0.15	APPROVE	DATE	SHEET	1/2	Customer NO.
				Angle	±3°			PROJ.		
				DIM	TOL					

# WCON

Http: [www.wcon.com](http://www.wcon.com)

WCON-Dongguan	WCON-Kunshan
Tel: +86 769 85358920	Tel: +86 512 57468408
Fax: +86 769 85358915	Fax: +86 512 57468468
E-mail: <a href="mailto:sales@wcon.com">sales@wcon.com</a>	E-mail: <a href="mailto:salesks@wcon.com">salesks@wcon.com</a>