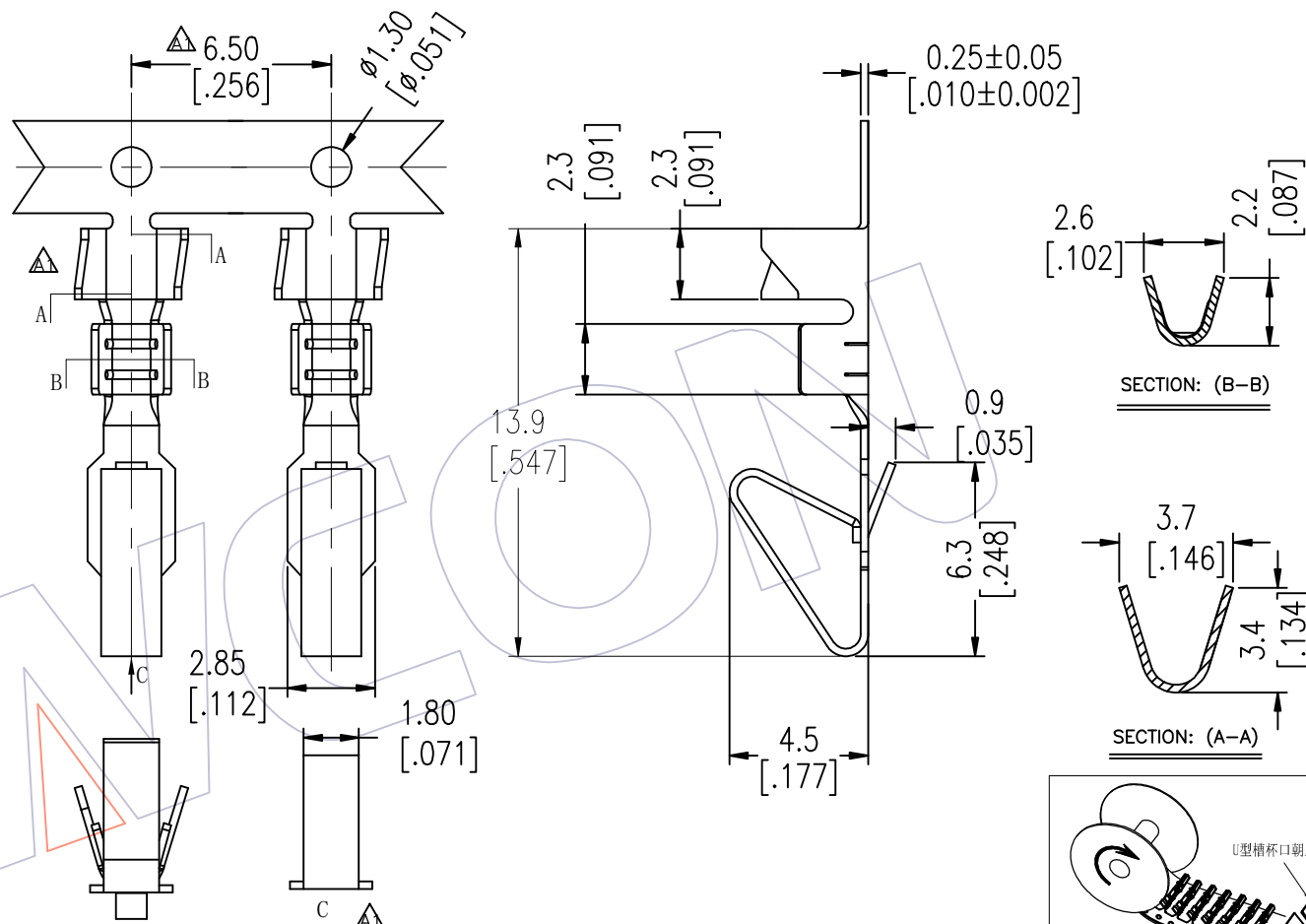


HSF

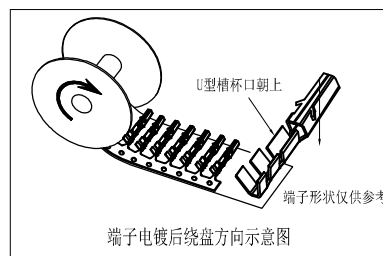
NOTES:
 Rated Current:5.0AMP
 Contact Resistance:20mΩ max
 Withstand Voltage:1000V AC
 Operation Temperature:-25℃ to +85℃



Ordering Information
WF3961 - T X XX 0 1

Material
 B=Brass
 P=Phosphor bronze

Contact Plating:
 S0=Gold Flash/Tin
 S3=10μ" Gold/Tin
 S4=15μ" Gold/Tin
 S5=30μ" Gold/Tin
 SN=Tin



Specification & Ordering Information:

Part No.	Thickness	Thickness	Wire Range	Insulation O.D
WF3961-TPXX01	0.25	Phosphor bronzes	AWG#18~#22	2.80mm(Max)
WF3961-TBXX01	0.25	Brass	AWG#18~#22	2.80mm(Max)

REV	DATE	MODIFICATION DESCRIPTION	CHANGE	OPERATION	DRAW	DATE	SCALE	FIT	PART NO.
A2	2022/06/27	增加绕盘方向示意图	LZH	X.X ±0.40	LZH	2022/06/27	UNIT	mm	SEE TAB
A1	2021/07/01	Modify Drawing	DuYing	X.XX ±0.25	CHECK	DATE	SIZE	A4	TITLE:
AO	2012/09/11	NEW	JYHuang	X.XXX ±0.15	APPROVE	DATE	SHEET	1/1	"M" TYPE 3.96 TERMINAL
				Angle ± 3°			PROJ.	Customer NO.	
				DIM TOL					

WCON
 Http: www.wcon.com

WCON-Dongguan WCON-Kunshan
 Tel: +86 769 85358920 Tel: +86 512 57468408
 Fax: +86 769 85358915 Fax: +86 512 57468468
 E-mail: sales@wcon.com E-mail: salesks@wcon.com