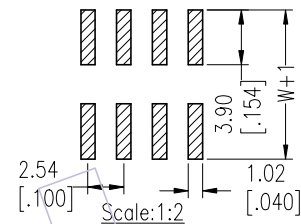
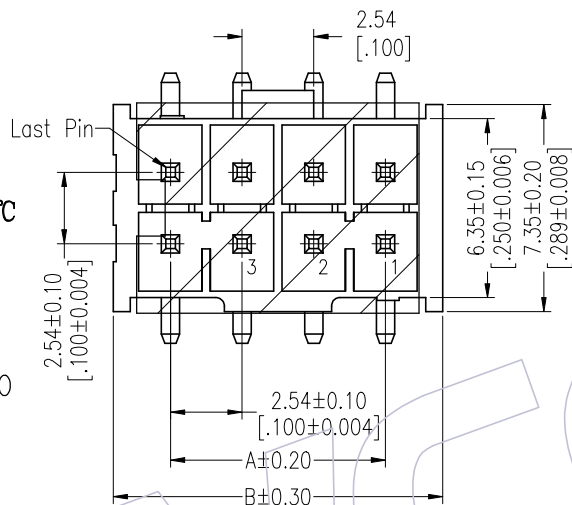


HSF

NOTES:
 Rated Current:3.0AMP
 Contact Resistance:20mΩ max
 Withstand Voltage:1000V AC/DC
 Insulation Resistance:1000MΩ min
 Operation Temperature:-55℃ to +125℃

Contact Material:Brass
 Contact plating:Au Or Sn over Ni
 Insulator Material:LCP+30%G.F UL94V-0

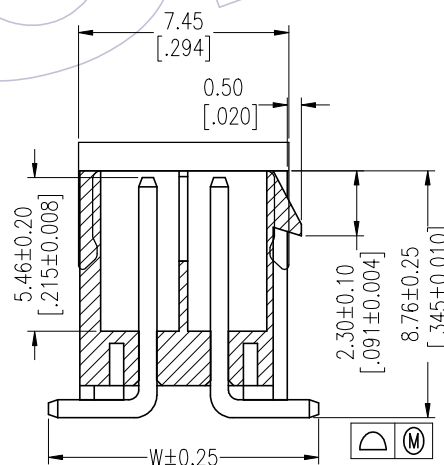
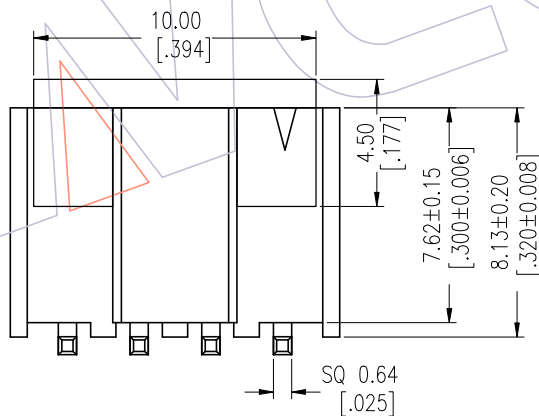
Recommended P.C.B Layout(Top Side)
 (PCB BOARD TOLERANCE±0.05)



Ordering Information

WF2549A -2 WM XX X X 1

No. of Row Dual Row 180° SMT
 No. of pins 02-25P
 Contact Plating
 S0=Gold Flash/Tin
 S3=10u"Gold/Tin
 S4=15u"Gold/Tin
 S5=30u"Gold/Tin
 G0=Gold Flash
 G3=10u"Gold
 G4=15u"Gold
 G5=30u"Gold
 Blank=Tin
 Color B=Black E=Beige W=White
 Packing T=Tube R=Reel



Pin	Symbol
2-15Pin	0.15
16-25Pin	0.18

ITEM	W
Standard	9.58
Alternate	

Circuit	Part No.	Dimension	
		A	B
2x02	WF2549A-2WM02XXXX1	2.54	6.60
2x03	WF2549A-2WM03XXXX1	5.08	9.14
2x04	WF2549A-2WM04XXXX1	7.62	11.68
2x05	WF2549A-2WM05XXXX1	10.16	14.22
2x06	WF2549A-2WM06XXXX1	12.70	16.76
2x07	WF2549A-2WM07XXXX1	15.24	19.30
2x08	WF2549A-2WM08XXXX1	17.78	21.84
2x09	WF2549A-2WM09XXXX1	20.32	24.38
2x10	WF2549A-2WM10XXXX1	22.86	26.92
2x11	WF2549A-2WM11XXXX1	25.40	29.46
2x12	WF2549A-2WM12XXXX1	27.94	32.00
2x13	WF2549A-2WM13XXXX1	30.48	34.54
2x14	WF2549A-2WM14XXXX1	33.02	37.08
2x15	WF2549A-2WM15XXXX1	35.56	39.62
2x16	WF2549A-2WM16XXXX1	38.10	42.16
2x17	WF2549A-2WM17XXXX1	40.64	44.70
2x18	WF2549A-2WM18XXXX1	43.18	47.24
2x19	WF2549A-2WM19XXXX1	45.72	49.78
2x20	WF2549A-2WM20XXXX1	48.26	52.32
2x21	WF2549A-2WM21XXXX1	50.80	54.86
2x22	WF2549A-2WM22XXXX1	53.34	57.40
2x23	WF2549A-2WM23XXXX1	55.88	59.94
2x24	WF2549A-2WM24XXXX1	58.42	62.48
2x25	WF2549A-2WM25XXXX1	60.96	65.02

OPERATION	DRAW	DATE	SCALE	FIT	PART NO.
x.x ±0.40	DiYing	2020/04/21	UNIT	mm	SEE TABLE
x.xx ±0.25	CHECK	DATE	SIZE	A4	TITLE: 2.54mm WAFER 180° SMT
x.xxx ±0.15	APPROVE	DATE	SHEET	1/1	Customer NO.
Angle ± 3'			PROJ.		
DIM TOL					

WCON
 Http: www.wcon.com

WCON-Dongguan
 Tel: +86 769 85358920
 Fax: +86 769 85358915
 E-mail: sales@wcon.com

WCON-Kunshan
 Tel: +86 512 57468408
 Fax: +86 512 57468468
 E-mail: salesks@wcon.com

REV	DATE	MODIFICATION DESCRIPTION	CHANGE
A0	2020/04/21	NEW	-----